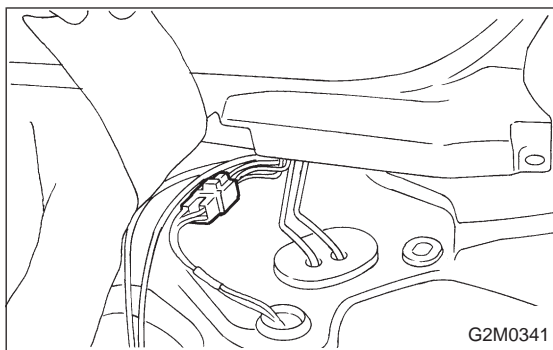
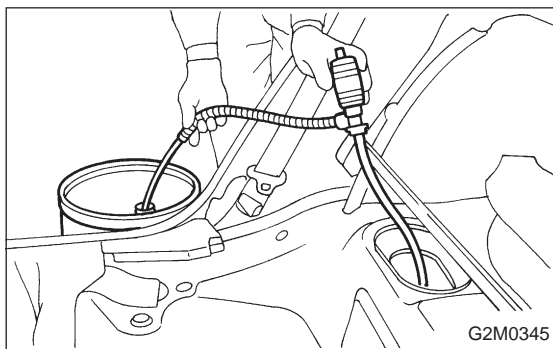


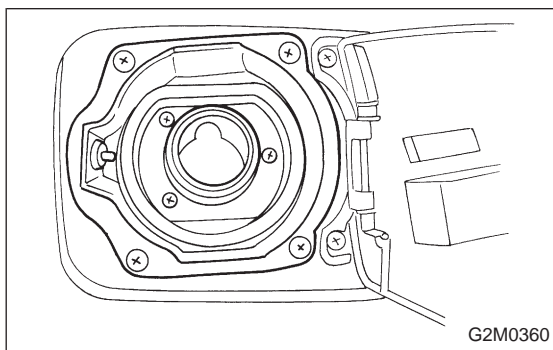
3. Fuel Tank - 4. Fuel Filler Pipe



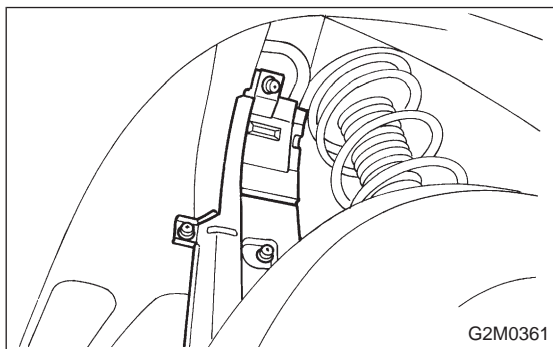
- 10) Lower the vehicle, and connect connector to fuel pump.
- 11) Install access hole lid.
- 12) Install rear seat back and rear seat.

**4. Fuel Filler Pipe****A: REMOVAL**

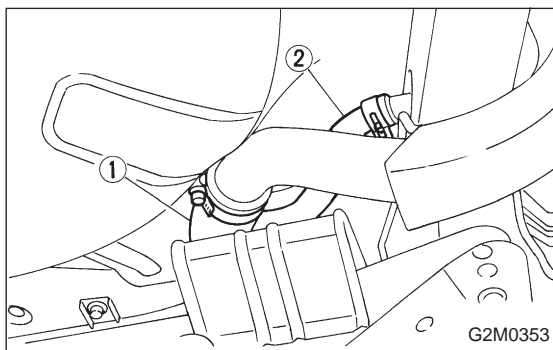
- 1) Release fuel pressure. <Ref. to 2-8 [W1A0].>
- 2) Drain fuel from fuel tank. <Ref. to 2-8 [W1B0].>



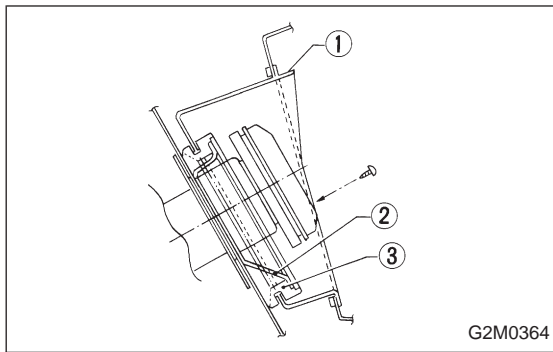
- 3) Remove right rear wheel.
- 4) Open fuel filler flap and remove filler cap.
- 5) Remove screws holding packing in place.



- 6) Lift up the vehicle.
- 7) Remove fuel filler pipe protector.



- 8) Remove clip, and separate air vent hose from pipe.
- 9) Loosen clamp, and separate fuel filler hose from pipe.
- ① Fuel filler hose
- ② Air vent hose
- 10) Remove fuel filler pipe to under side of the vehicle.

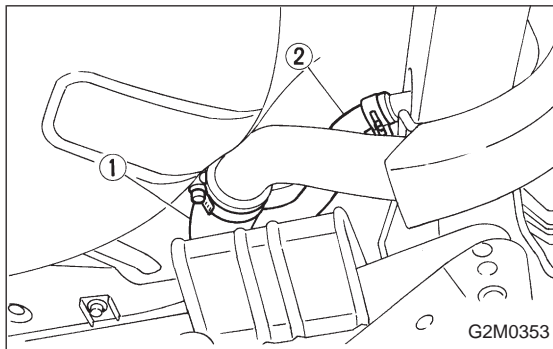


B: INSTALLATION

- 1) Hold fuel filler flap open.
- 2) Set fuel saucer ① with rubber packing ③, and insert fuel filler pipe into hole from the inner side of apron.
- 3) Align holes in fuel filler pipe neck and set cup ②, and tighten screws.

NOTE:

If edges of rubber packing are folded toward the inside, straighten it with a screwdriver.

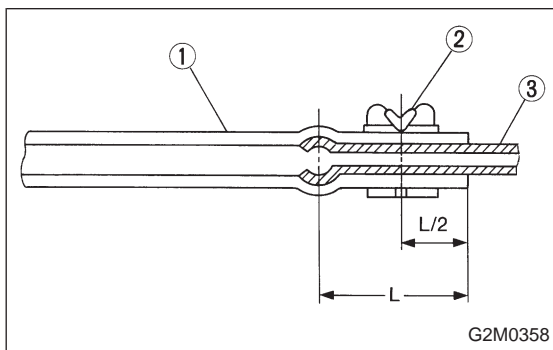


- 4) Insert fuel filler hose approximately 25 to 30 mm (0.98 to 1.18 in) over the lower end of fuel filler pipe and tighten clamp.

- ① Fuel filler hose
- ② Air vent hose

CAUTION:

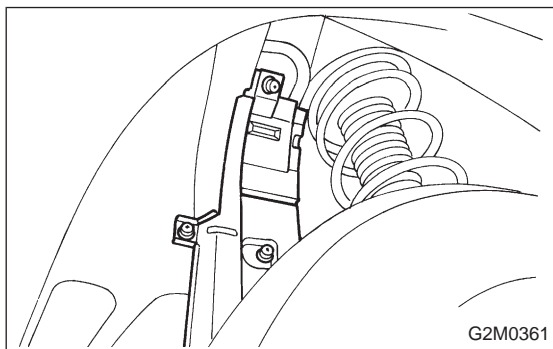
Do not allow clips to touch air vent hose and rear suspension crossmember.



- 5) Insert air vent hose approximately 25 to 30 mm (0.98 to 1.18 in) into the lower end of air vent pipe and hold clip.

- ① Hose
- ② Clip
- ③ Pipe

L = 25 — 30 mm (0.98 — 1.18 in)



- 6) Install fuel filler pipe protector.
- 7) Install right rear wheel.