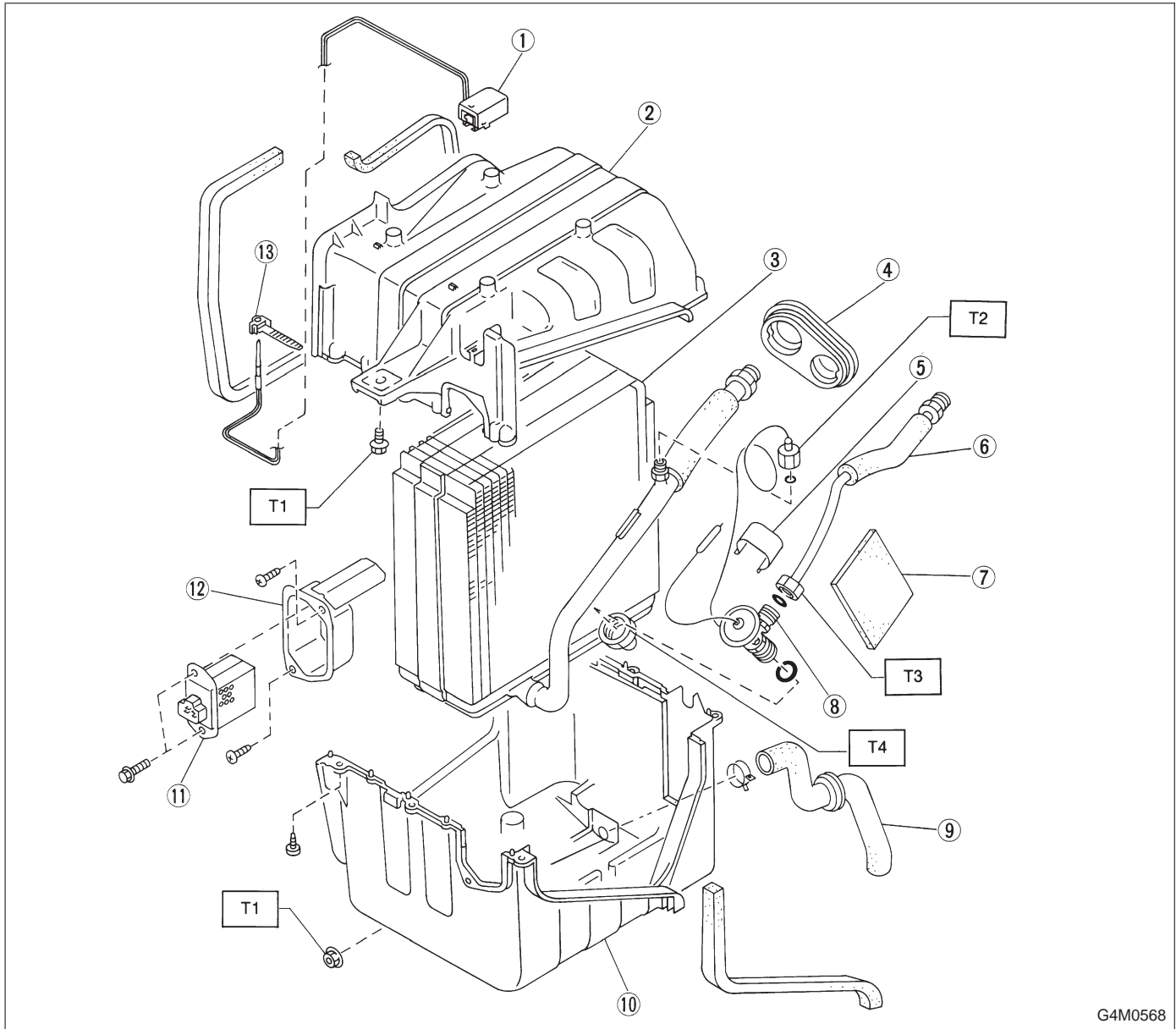


2. Evaporator



G4M0568

- | | |
|----------------------------|----------------------|
| ① Thermo control amplifier | ⑧ Expansion valve |
| ② Case upper | ⑨ Drain hose |
| ③ Cooling unit | ⑩ Case lower |
| ④ Grommet | ⑪ Resistor |
| ⑤ Clip | ⑫ Resistor bracket |
| ⑥ Pipe | ⑬ Thermistor bracket |
| ⑦ Seat | |

Tightening torque: N·m (kg·m, ft·lb)
T1: 5.5 — 9.5
 (0.56 — 0.97, 4.1 — 7.0)
T2: 13.2 — 16.2
 (1.35 — 1.65, 9.7 — 11.9)
T3: 17.6 — 21.6
 (1.80 — 2.20, 13.0 — 15.9)
T4: 21.5 — 27.5
 (2.20 — 2.80, 15.9 — 20.3)