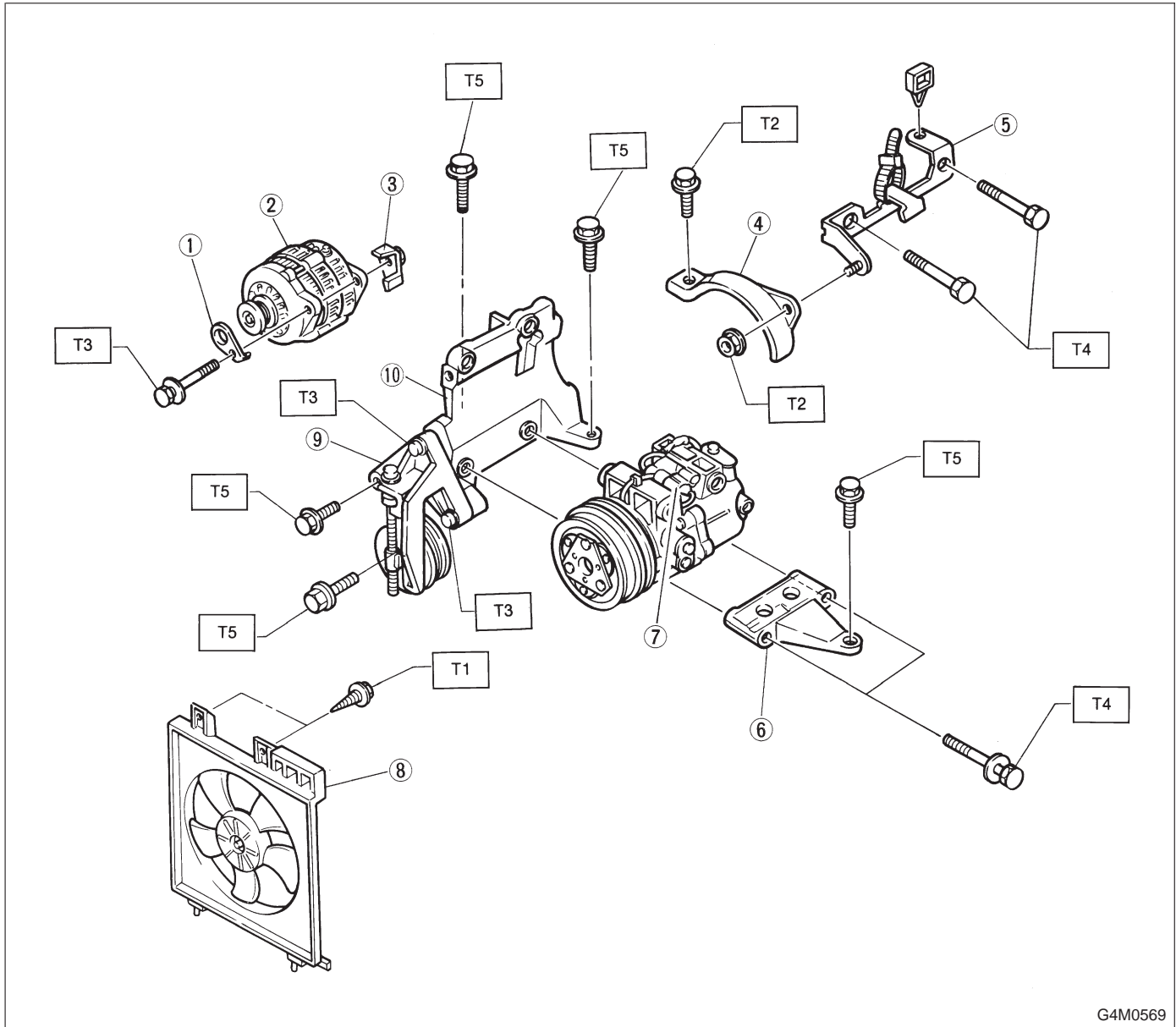


3. Compressor



G4M0569

- ① Alternator bracket
- ② Alternator
- ③ Alternator bracket nut
- ④ Compressor belt cover
- ⑤ Bracket
- ⑥ Compressor bracket lower
- ⑦ Compressor
- ⑧ Condenser fan motor ASSY
- ⑨ Idler pulley ASSY
- ⑩ Compressor bracket upper

Tightening torque: N·m (kg·m, ft·lb)
T1: 3 — 5 (0.3 — 0.5, 2.2 — 3.7)
T2: 5.39 — 9.31
(0.55 — 0.95, 4.0 — 6.9)
T3: 19 — 27 (1.9 — 2.8, 14 — 20)
T4: 24.2 — 33.6
(2.47 — 3.43, 17.8 — 24.8)
T5: 31 — 41 (3.2 — 4.2, 23 — 30)