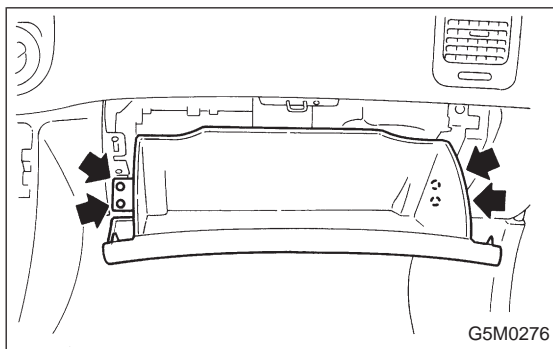


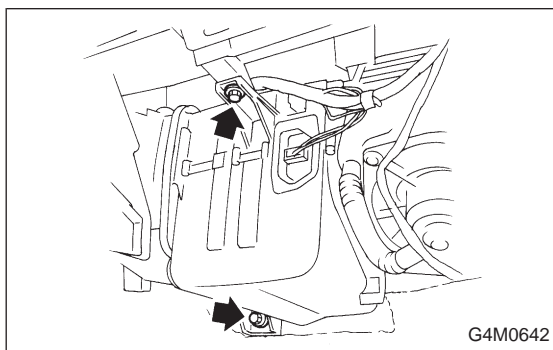
14. Evaporator

A: REMOVAL AND INSTALLATION

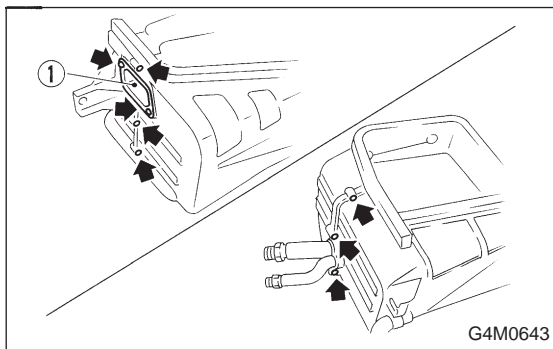
- 1) Disconnect battery negative terminal.
- 2) Discharge refrigerant.
- 3) Disconnect discharge pipe, suction pipe and grommets.



- 4) Remove glove box.

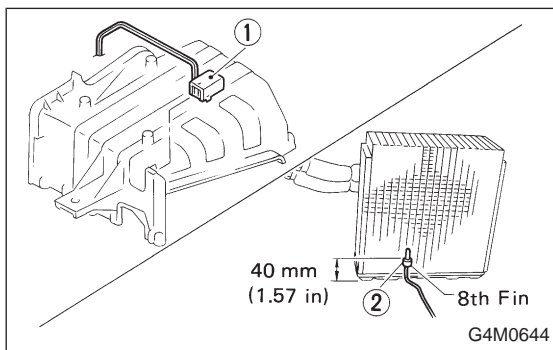


- 5) Disconnect the harness connector from evaporator.
- 6) Disconnect drain hose.
- 7) Remove evaporator mounting bolt and nut.
- 8) Install the evaporator in the reverse order of removal.

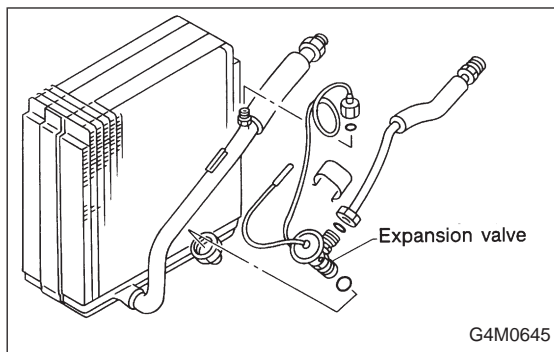


B: DISASSEMBLY AND ASSEMBLY

- 1) Remove resistor assembly ① and remove six screws from evaporator case.



- 2) Remove thermostat ① from upper case. (Thermistor ② is inserted into specified evaporator fin position.) When installing thermostat, be sure to insert thermistor into specified fin position.



- 3) Disconnect the connection between the expansion valve and pipe from receiver drier.
- 4) Remove the expansion valve from pipes.
- 5) To install expansion valve, reverse removal procedures. Properly wrap capillary tube of expansion valve with seal.
- 6) Check to see if the evaporator fins are clogged. If they are, clean them with compressed air.

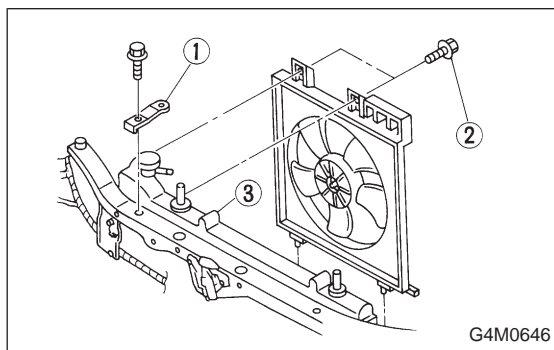
CAUTION:

Water must never be used to clean the evaporator.

- 7) Check parts that have been removed for cracks or scratches, and repair or replace them with new ones, if necessary.
- 8) Reassemble the evaporator in the reverse order of disassembly.

NOTE:

Confirm that the O-ring is inserted in the specified position.



15. Condenser Fan Assembly

A: REMOVAL AND INSTALLATION

- 1) Disconnect battery negative terminal.
- 2) Disconnect harness connector from fan motor.
- 3) Remove radiator bracket (RH) ① and remove condenser fan bolt ② from radiator ③.
- 4) Pull condenser fan assembly.
- 5) Install the condenser fan assembly in the reverse order of removal.