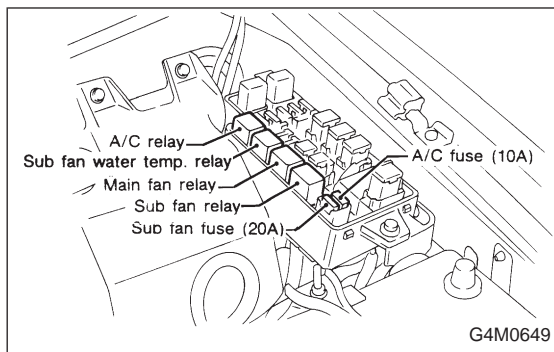


17. Relay and Fuse

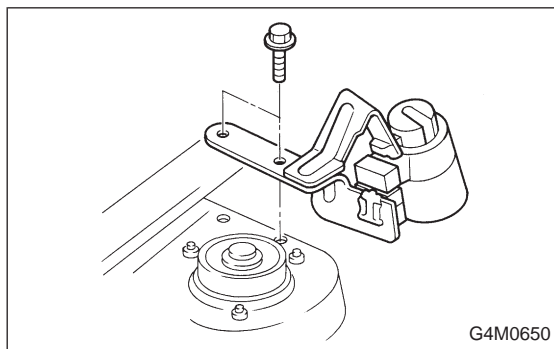


17. Relay and Fuse

A: LOCATION

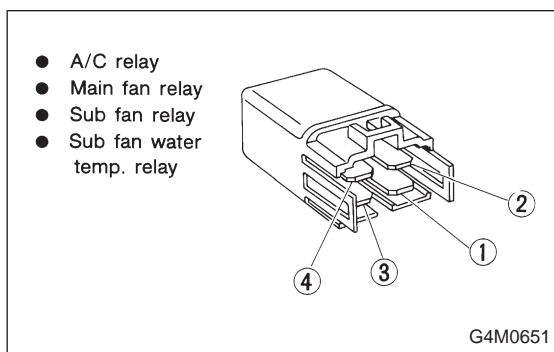
Relays used with A/C system are located as shown in figure.

- 1) A/C relay
- 2) Main fan (radiator fan) relay
- 3) Sub fan (condenser fan) relay
- 4) Sub fan (condenser fan) water temperature relay
- 5) Fuses (10 A and 20 A)



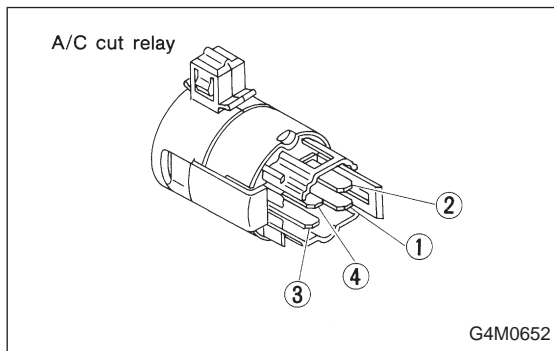
6) A/C cut relay

A/C cut relay is attached by a bolt to top of front suspension bracket (RH) via a bracket.



B: INSPECTION

1) Check conduction with a circuit tester (ohm range) according to the following table in figure.



A/C relay Main fan relay Sub fan relay Sub fan water temp. relay	A/C cut relay
About 100Ω between ① and ②	About 120Ω between ① and ②
∞Ω between ③ and ④	∞Ω between ③ and ④

G4M0653

2) Replace relays which do not meet specifications.