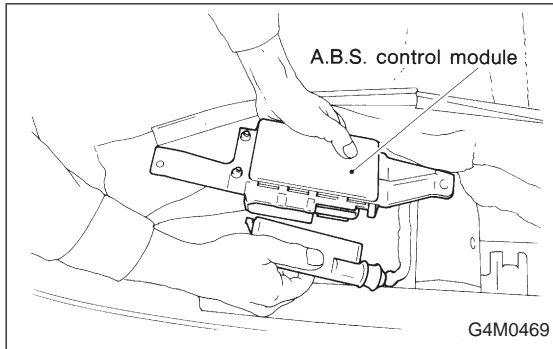


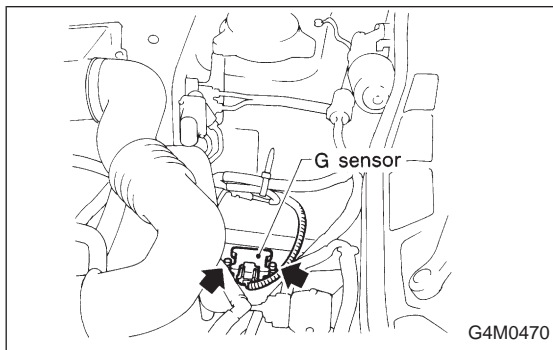
B: INSPECTION

Check that connector is connected correctly and that connector terminal sliding resistance is correct.



C: INSTALLATION

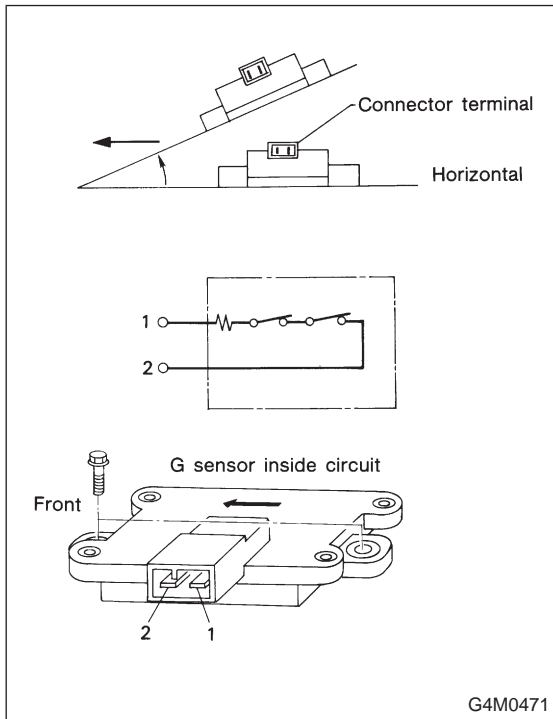
- 1) Connect connector to A.B.S. control module.
- 2) Install A.B.S. control module on body.



17. G Sensor for A.B.S. System

A: REMOVAL AND INSTALLATION

The G sensor is located on the right front wheel apron.



B: INSPECTION

- 1) Check to ensure that G sensor is securely installed on front wheel apron, and that connector is properly installed.
- 2) Disconnect connector from G sensor and measure contact resistance between terminals.

| Condition of G sensor | Standard |
|---------------------------------------|--------------------------------|
| On flat surface | 610±60 Ω |
| * When slanting about 14° — 21.3° (θ) | 610±60 Ω → More than 100 kΩ |

NOTE:

- Tilt G sensor forward as shown in Figure. If it is tilted backward, it will not operate.
- Hysteresis occurs during ON-OFF operation of sensor. Sensor should turn OFF from ON (610 Ω → More than 100 kΩ) when it is tilted in a range from 14° to 21.3°.

Tightening torque:

7.4±2.0 N·m (0.75±0.2 kg·m, 5.4±1.4 ft·lb)