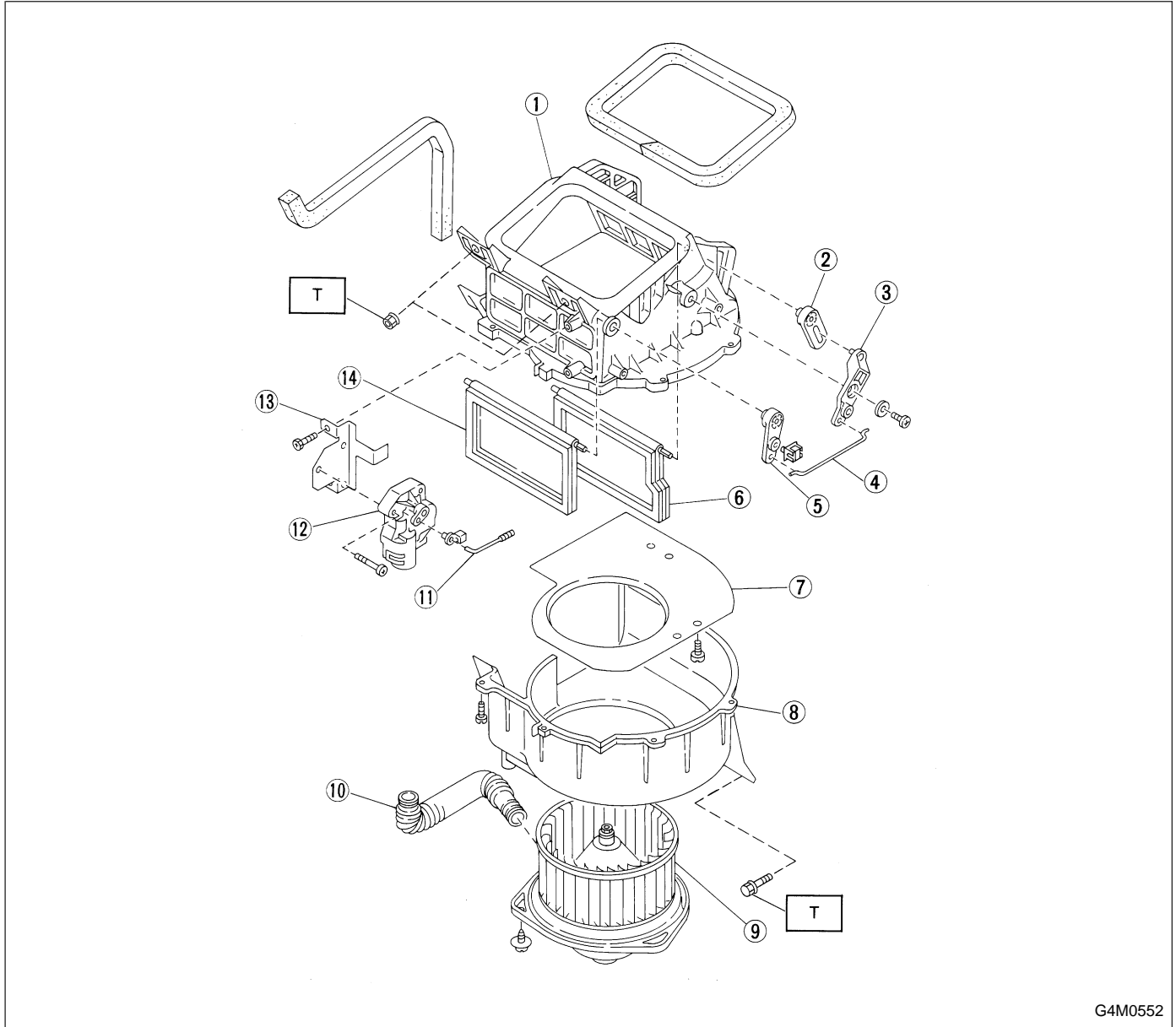


2. Intake Unit



G4M0552

- | | |
|--------------------------|--------------------------|
| ① Intake unit case upper | ⑧ Intake unit case lower |
| ② Lever (A) | ⑨ Blower motor ASSY |
| ③ Link | ⑩ Hose |
| ④ Rod | ⑪ Actuator rod |
| ⑤ Lever (B) | ⑫ Actuator motor |
| ⑥ Door (A) | ⑬ Actuator bracket |
| ⑦ Bell mouth-intake | ⑭ Door (B) |

Tightening torque: N·m (kg·m, ft·lb)
T: 7.35±1.96
(0.750±0.200, 5.421±1.446)