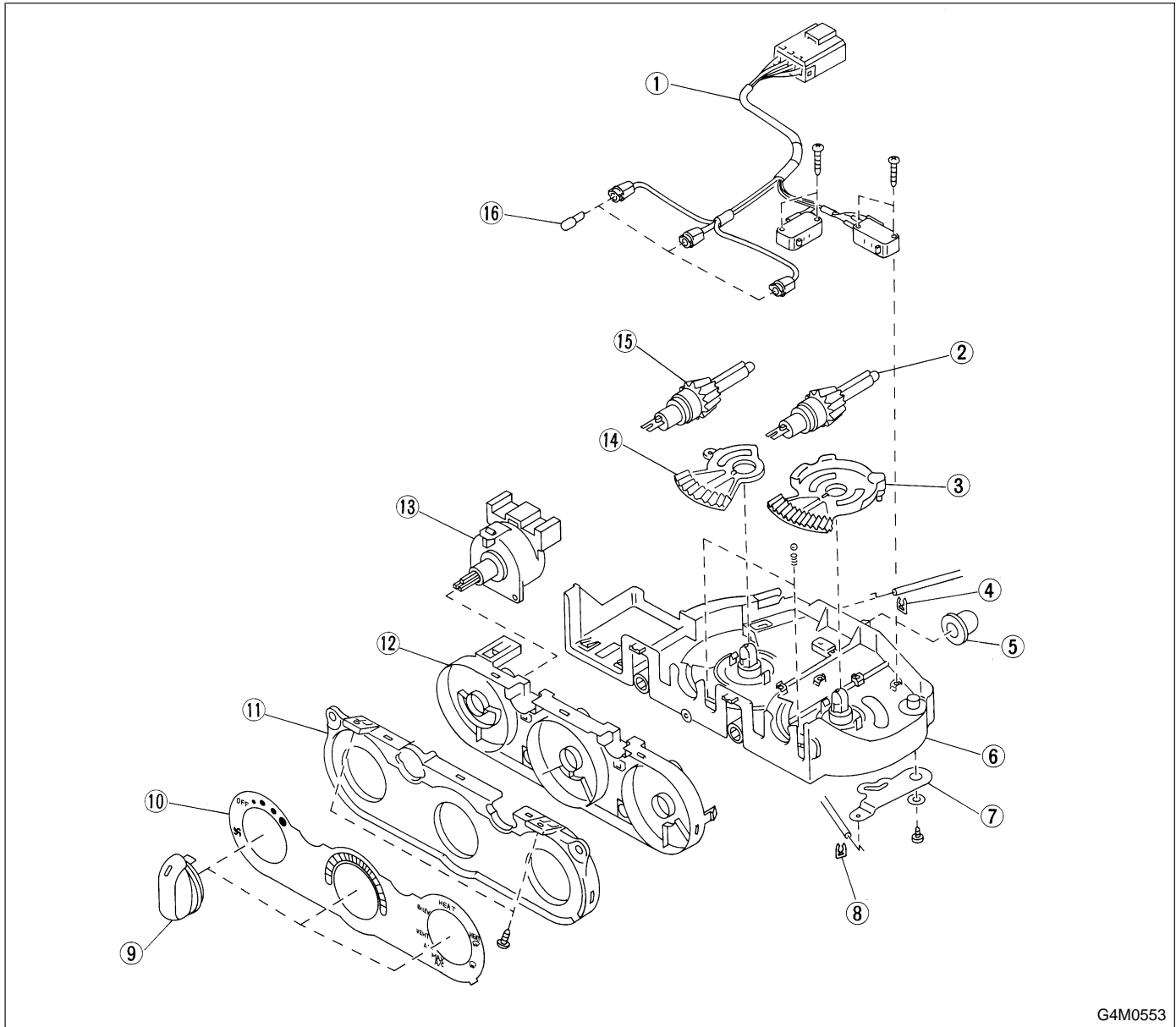


3. Control Unit



G4M0553

- ① Harness ASSY
- ② Shaft
- ③ Mode lever LH
- ④ Clip
- ⑤ Grommet
- ⑥ Base plate

- ⑦ Link
- ⑧ Clip
- ⑨ Control dial knob
- ⑩ Plate
- ⑪ Base plate

- ⑫ Light box
- ⑬ Switch ASSY
- ⑭ TEMP. lever
- ⑮ Shaft
- ⑯ Bulb