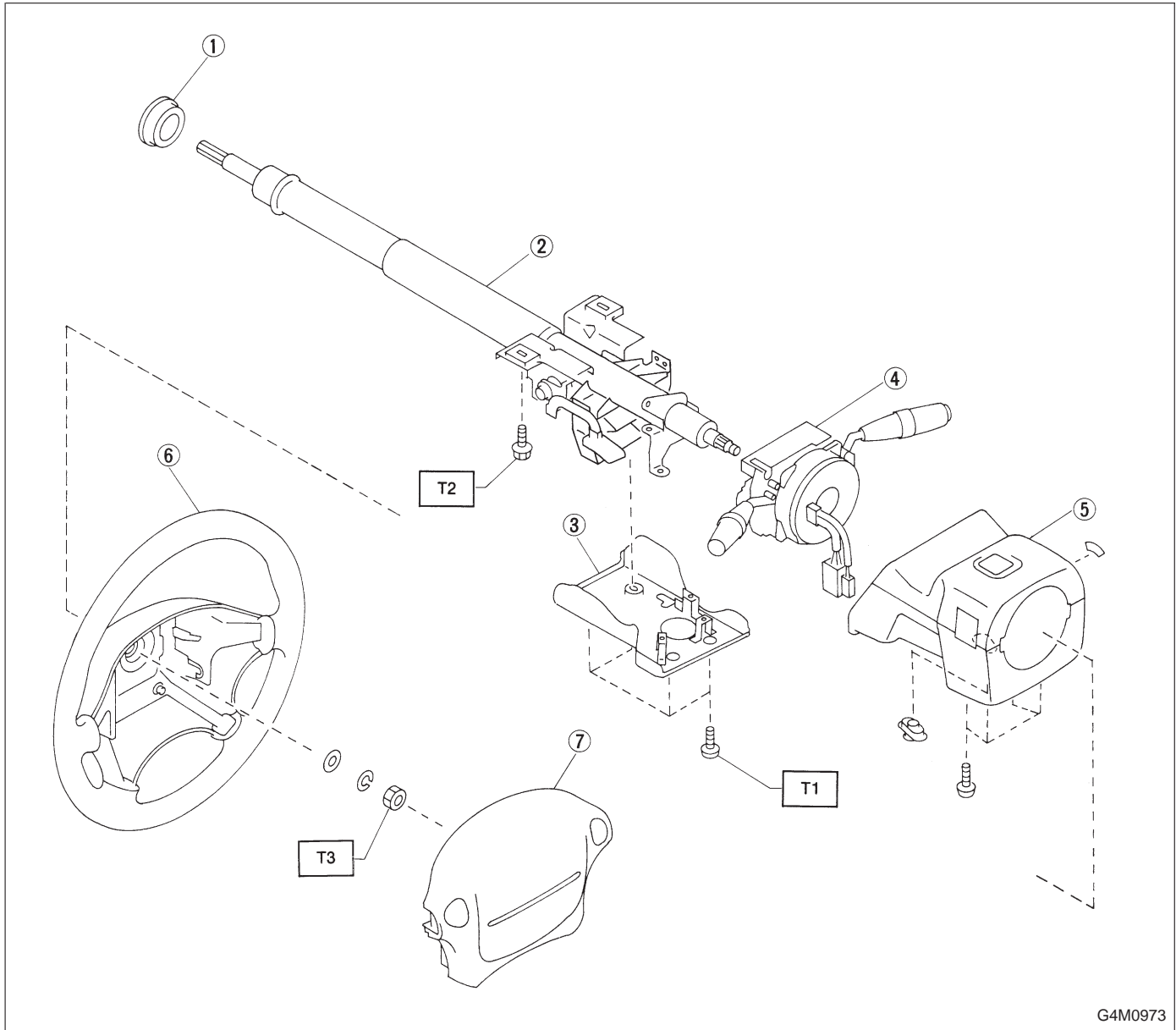


1. Steering Wheel and Column (Tilt)

1. WITH AIRBAG MODEL



- ① Bushing
- ② Steering shaft
- ③ Knee protector
- ④ Steering roll connector
- ⑤ Column cover
- ⑥ Steering wheel
- ⑦ Airbag module

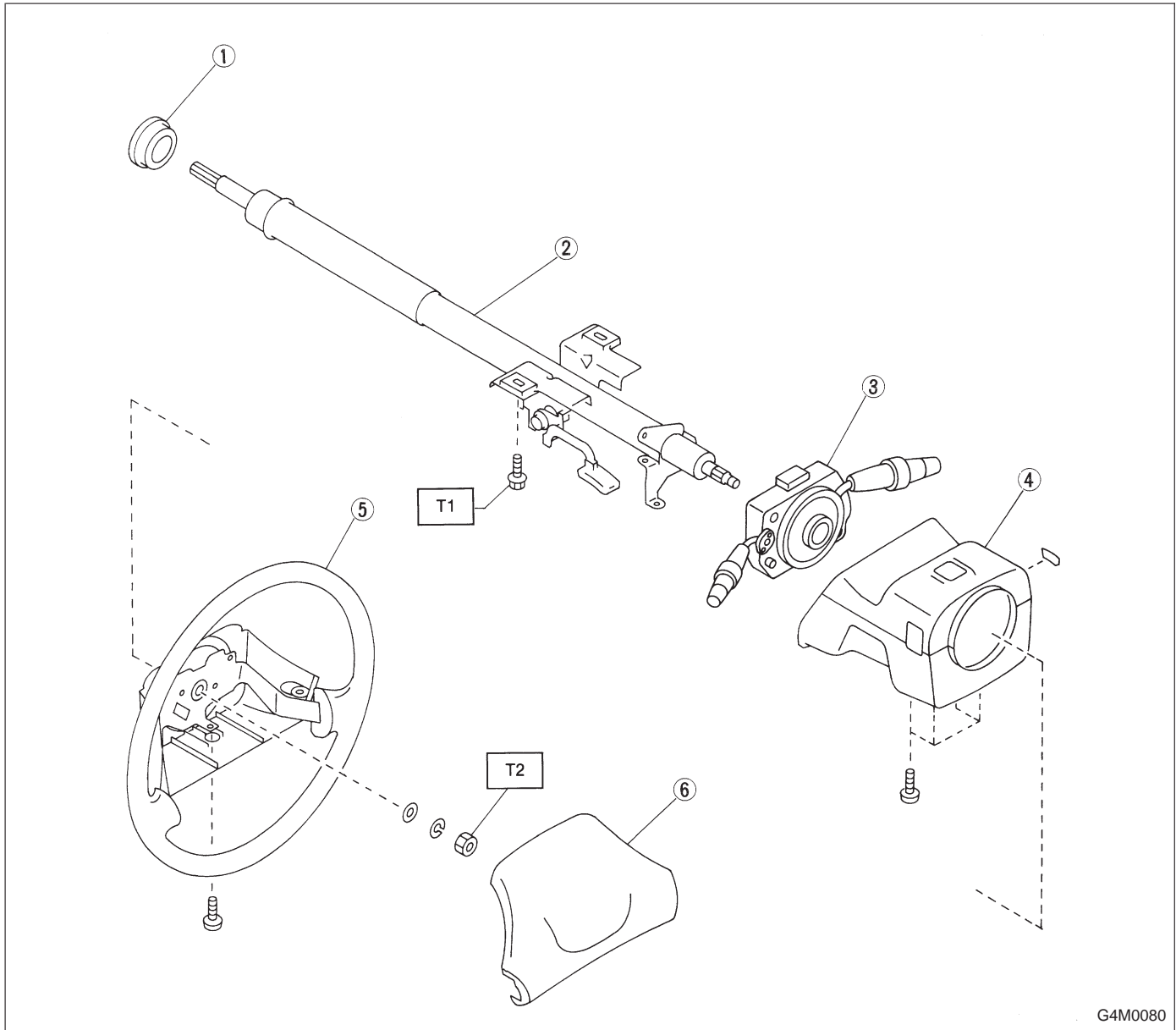
**Tightening torque: N·m (kg·m, ft·lb)**

**T1: 3.4±1.0 (0.35±0.1, 2.5±0.7)**

**T2: 25±5 (2.5±0.5, 18.1±3.6)**

**T3: 34±5 (3.5±0.5, 25.3±3.6)**

2. WITHOUT AIRBAG MODEL



- ① Bushing
- ② Steering shaft
- ③ Combination switch
- ④ Column cover
- ⑤ Steering wheel
- ⑥ Pad ASSY

**Tightening torque: N·m (kg·m, ft·lb)**  
**T1: 25±5 (2.5±0.5, 18.1±3.6)**  
**T2: 34±5 (3.5±0.5, 25.3±3.6)**