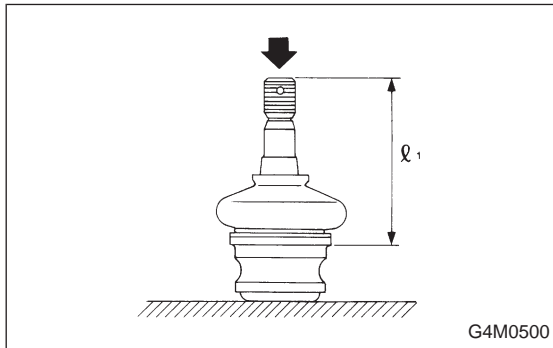


3. Front Ball Joint

A: REMOVAL

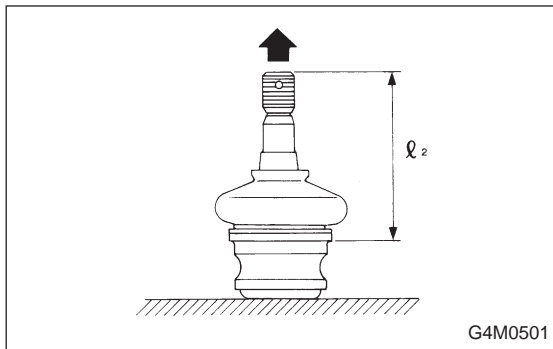
- 1) Remove the wheels.
- 2) Pull out the cotter pin from the ball stud, remove the castle nut, and extract the ball stud from the transverse link.
- 3) Remove the bolt securing the ball joint to the housing.
- 4) Extract the ball joint from the housing.



B: INSPECTION

- 1) Measure play of ball joint by the following procedures. Replace with a new one when the play exceeds the specified value.

(1) With 686 N (70 kg, 154 lb) loaded in the direction shown in the figure, measure dimension l_1 .



(2) With 686 N (70 kg, 154 lb) loaded in the opposite direction shown in the figure, measure dimension l_2 .

(3) Calculate plays from the following formula.

$$S = l_2 - l_1$$

(4) When plays is larger than the following value, replace with a new one.

FRONT BALL JOINT

**Specified play for replacement: S
Less than 0.3 mm (0.012 in)**

- 2) When play is smaller than the specified value, visually inspect the dust cover.
- 3) The ball joint and cover that have been removed must be checked for wear, damage or cracks, and any defective part must be replaced.
- 4) If the dust cover is damaged, replace with the new ball joint.

C: INSTALLATION

- 1) Install ball joint onto housing.

Torque (Bolt):

49 N·m (5.0 kg·m, 36 ft·lb)

CAUTION:

Do not apply grease to tapered portion of ball stud.

- 2) Connect ball joint to transverse link.

Torque (Castle nut):

39 N·m (4.0 kg·m, 29 ft·lb)

- 3) Retighten castle nut further within 60° until a slot in castle nut is aligned with the hole in ball stud end, then insert new cotter pin and bend it around castle nut.
- 4) Install front wheels.