

1. Wheels and Axles

A: SPECIFICATIONS

1. TIRE AND WHEEL SIZE

Model		Front and rear				T-type tire		
		Tire size	Rim size	Rim offset mm (in)	P.C.D. mm (in)	Tire size	Rim size	Rim offset mm (in)
FWD	Base	P165/80R13 83S	13 x 5.00B	50 (1.97)	100 (3.94) dia.	T125/70D15	15 x 4T	53 (2.09)
	L	P165/80R13 83S [P175/70R14 84S]	13 x 5.00B [14 x 5 1/2JJ]	50 (1.97) [55 (2.17)]				
	Coupe L	P175/70R14 84S	14 x 5 1/2JJ	55 (2.17)				
AWD	Base	P175/70R14 84S	14 x 5 1/2JJ	55 (2.17)		T125/70D16	16 x 4T	50 (1.97)
	L					T135/70D16		
	LX	P195/60R15 87H P185/70R14 87H	15 x 6JJ 14 x 5 1/2JJ					

[]: A.B.S. equipped vehicle.

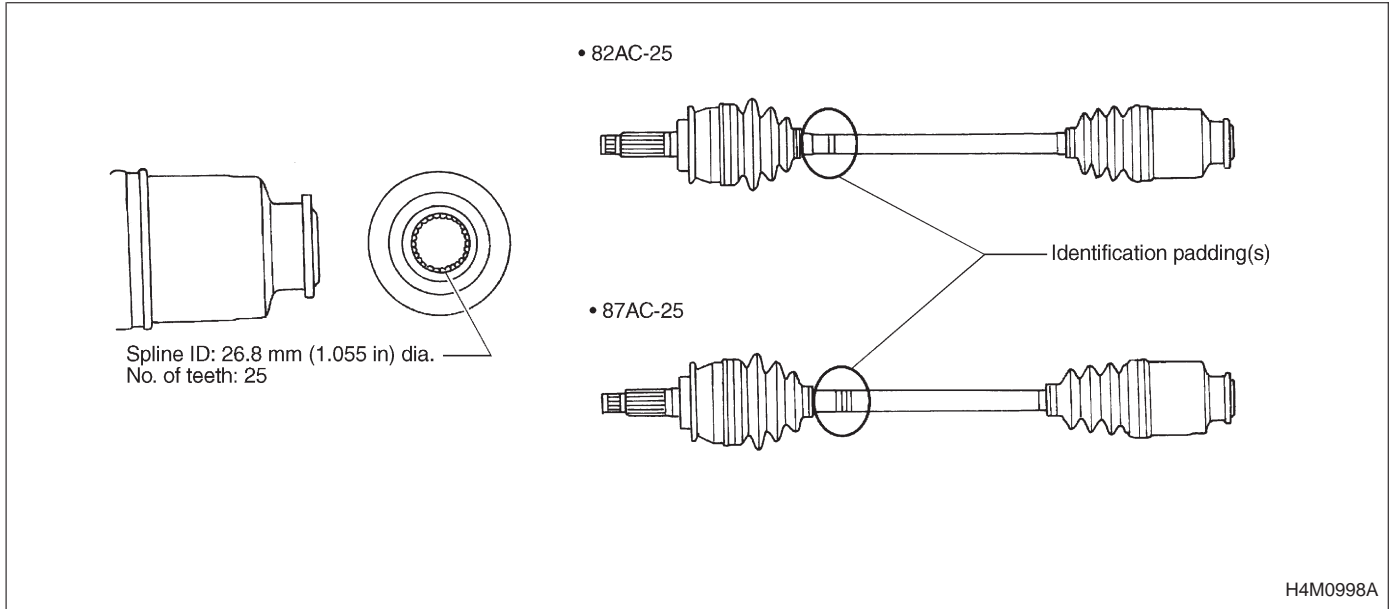
NOTE: "T-type" tire for temporary use is supplied as a spare tire.

2. TIRE INFLATION PRESSURE

	Tire size	Tire inflation pressure kPa (kg/cm ² , psi)	
		Light load	Full load
Sedan Wagon Coupe	165/80R13 83S 175/70R14 84S P185/70R14 87H P195/60R15 87H	Ft: 220 (2.2, 32) Rr: 200 (2.0, 29)	
T-type tire	T125/70D15 T125/70D16 T135/70D16	420 (4.2, 60)	

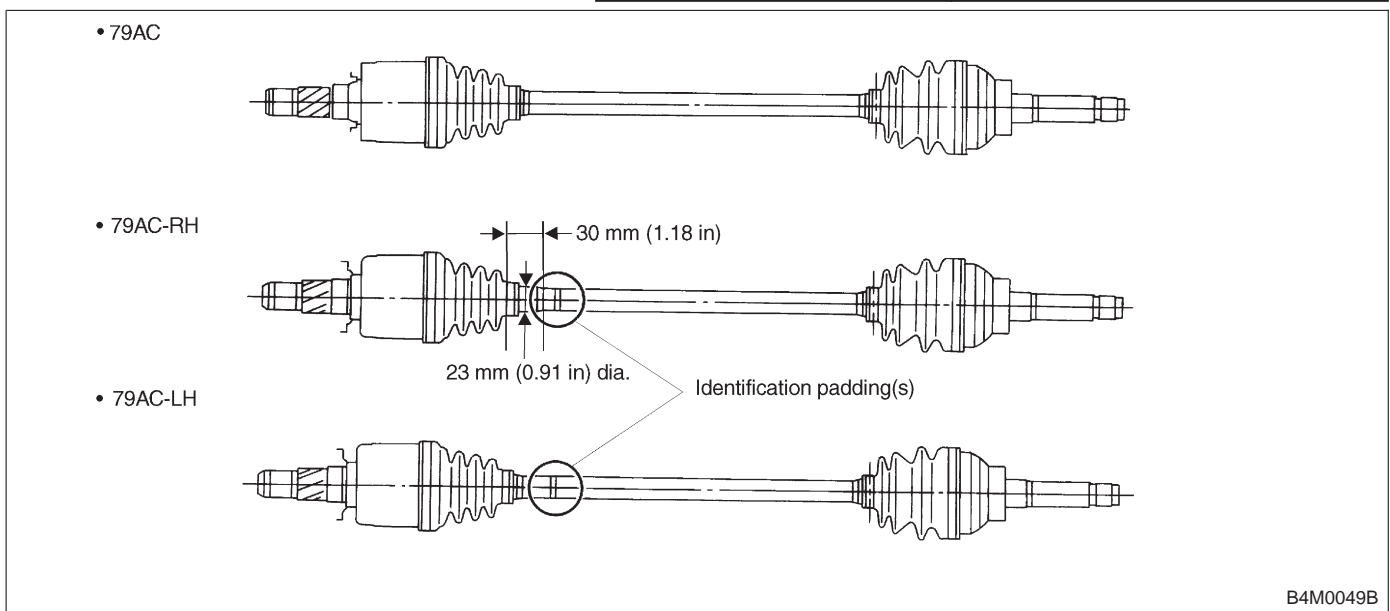
3. FRONT DRIVE SHAFT ASSEMBLY

Type of axle shaft assembly	SHAFT	DOJ
	No. of identification paddings on shaft	No. of spline teeth
82AC-25	1 (One)	25
87AC-25	2 (Two)	25



4. REAR DRIVE SHAFT ASSEMBLY (AWD MODEL)

Type of axle shaft assembly	SHAFT
	No. of identification paddings on shaft
79AC	None
79AC-RH	1 (One)
79AC-LH	1 (One)



5. APPLICATION TABLE

Model	Power unit	Front drive shaft		Rear drive shaft
		5MT	4AT	
FWD	1800 cc	87AC-25	87AC-25	—
AWD	1800 cc	82AC-25	82AC-25	79AC
AWD	2200 cc	—	82AC-25	79AC-RH 79AC-LH

B: SERVICE DATA

Wheel balancing	Standard	Service limit
Dynamic unbalance	Less than 5 g (0.18 oz)	

Balance weight part number (For steel wheel)	Weight g (oz)
28101AA001	5 (0.18)
28101AA011	10 (0.35)
28101AA021	15 (0.53)
28101AA031	20 (0.71)
28101AA041	25 (0.88)
28101AA051	30 (1.06)
28101AA061	35 (1.23)
28101AA071	40 (1.41)
28101AA081	45 (1.59)
28101AA091	50 (1.76)
28101AA101	55 (1.94)
28101AA111	60 (2.12)

Balance weight part number (For aluminum wheel)	Weight g (oz)
23141GA462	5 (0.18)
23141GA472	10 (0.35)
23141GA482	15 (0.53)
23141GA492	20 (0.71)
23141GA502	25 (0.88)
23141GA512	30 (1.06)
23141GA522	35 (1.23)
23141GA532	40 (1.41)
23141GA542	45 (1.59)
23141GA552	50 (1.76)
—	55 (1.94)
23141GA572	60 (2.12)