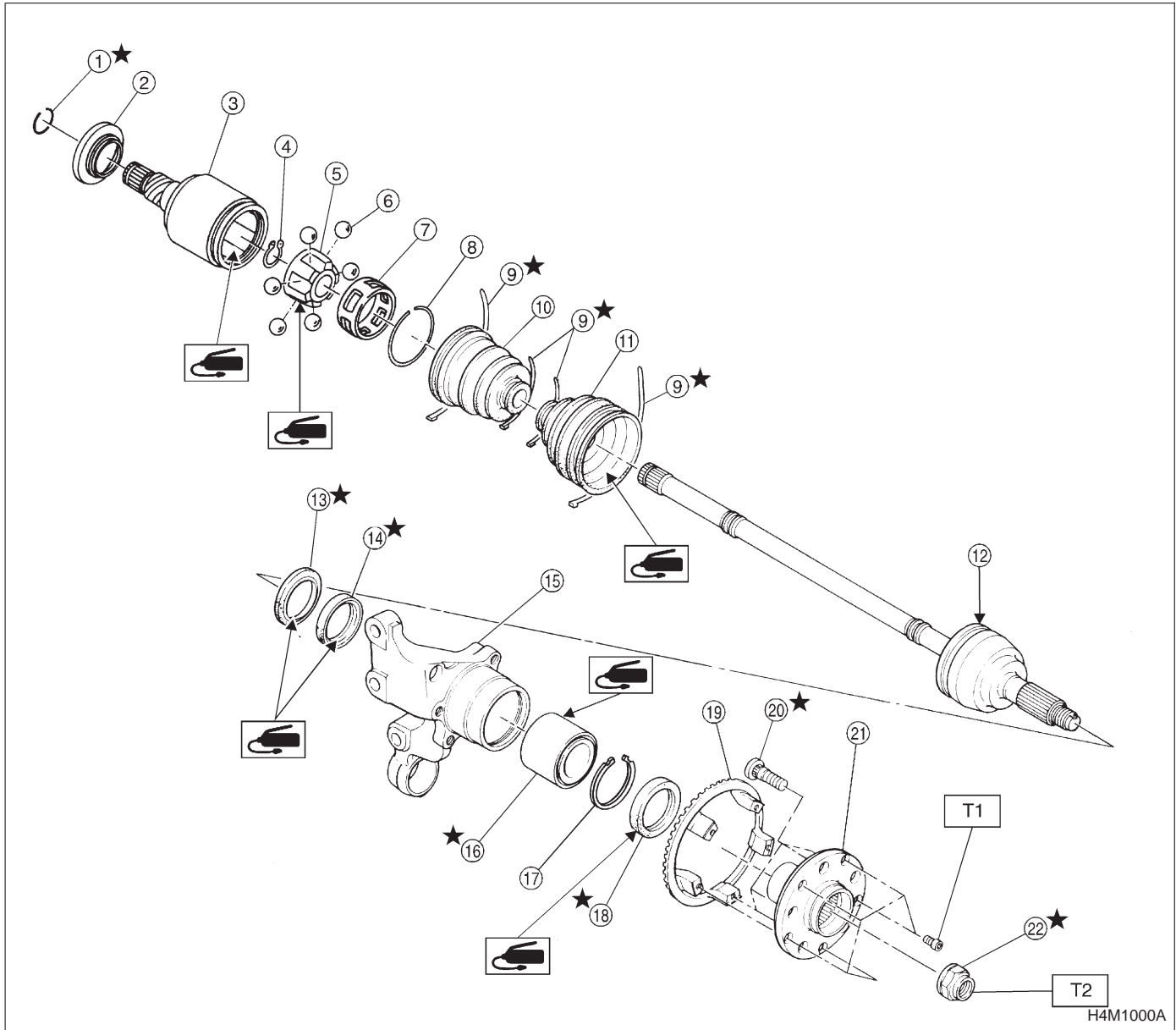


2. Rear Axle

1. AWD MODEL



- ① Circlip (1800 cc model)
- ② Baffle plate (DOJ)
- ③ Outer race (DOJ)
- ④ Snap ring
- ⑤ Inner race
- ⑥ Ball
- ⑦ Cage
- ⑧ Circlip
- ⑨ Boot band

- ⑩ Boot (DOJ)
- ⑪ Boot (BJ)
- ⑫ BJ ASSY
- ⑬ Oil seal (IN. No. 2)
- ⑭ Oil seal (IN. No. 3)
- ⑮ Housing
- ⑯ Bearing
- ⑰ Snap ring
- ⑱ Oil seal (OUT)

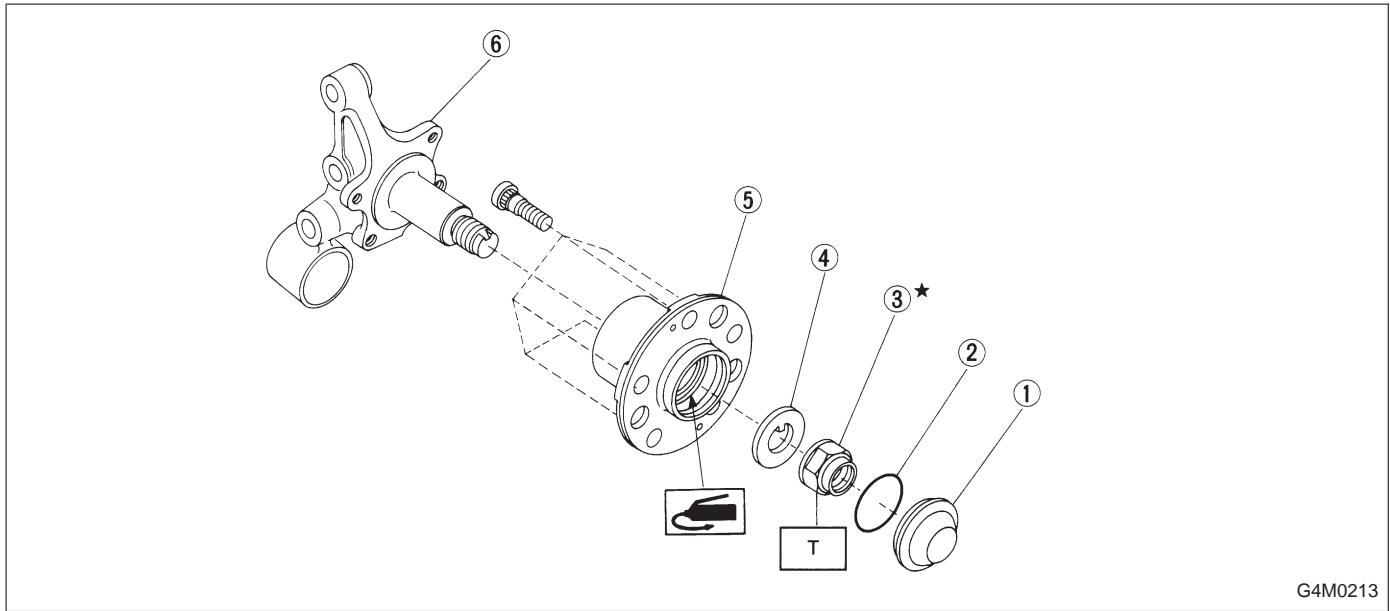
- ⑲ Tone wheel
- ⑳ Hub bolt
- ㉑ Hub
- ㉒ Axle nut

Tightening torque: N·m (kg·m, ft·lb)

T1: 13±3 (1.3±0.3, 9.4±2.2)

T2: 186±20 (19±2, 137±14)

2. FWD MODEL



- ① Hub cap
- ② O-ring
- ③ Axle nut
- ④ Washer

- ⑤ Hub unit
- ⑥ Spindle

Tightening torque: N·m (kg·m, ft·lb)
T: 186±20 (19±2, 137±14)