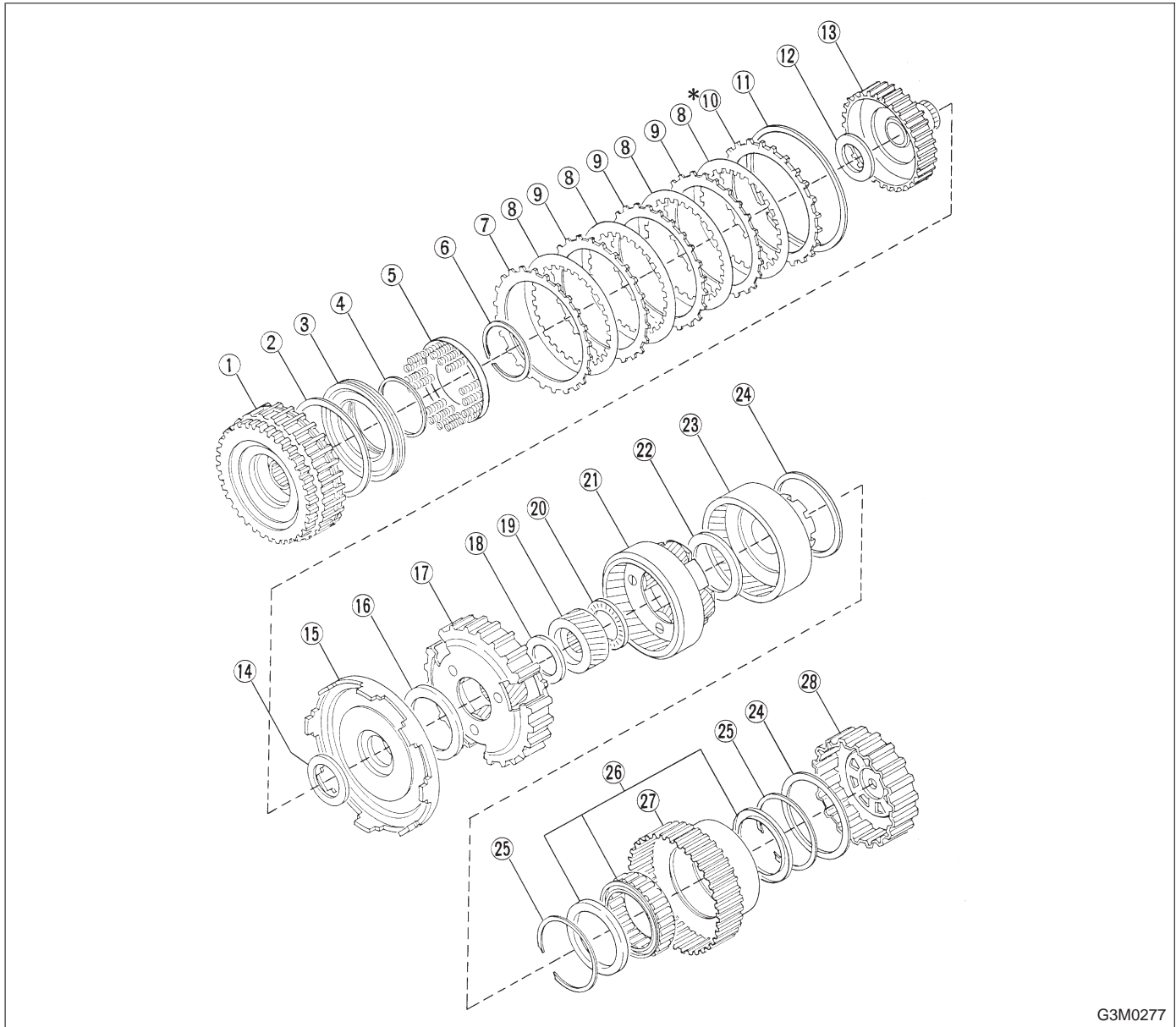


7. High Clutch and Planetary Gear



G3M0277

- | | |
|---------------------------|-----------------------------------|
| ① High clutch drum | ⑳ Rear planetary carrier |
| ② Lathe cut seal ring | ㉑ Thrust needle bearing |
| ③ Piston | ㉒ Rear internal gear |
| ④ Lathe cut seal ring | ㉓ Thrust washer |
| ⑤ Spring retainer | ㉔ Snap ring |
| ⑥ Snap ring | ㉕ One-way clutch (3-4) |
| ⑦ Driven plate (Thinner) | ㉖ One-way clutch outer race (3-4) |
| ⑧ Drive plate | ㉗ Overrunning clutch hub |
| ⑨ Driven plate (Thicker) | |
| ⑩ Retaining plate | |
| ⑪ Snap ring | |
| ⑫ Thrust needle bearing | |
| ⑬ High clutch hub | |
| ⑭ Thrust needle bearing | |
| ⑮ Front sun gear | |
| ⑯ Thrust needle bearing | |
| ⑰ Front planetary carrier | |
| ⑱ Thrust needle bearing | |
| ⑲ Rear sun gear | |
| ㉀ Thrust needle bearing | |