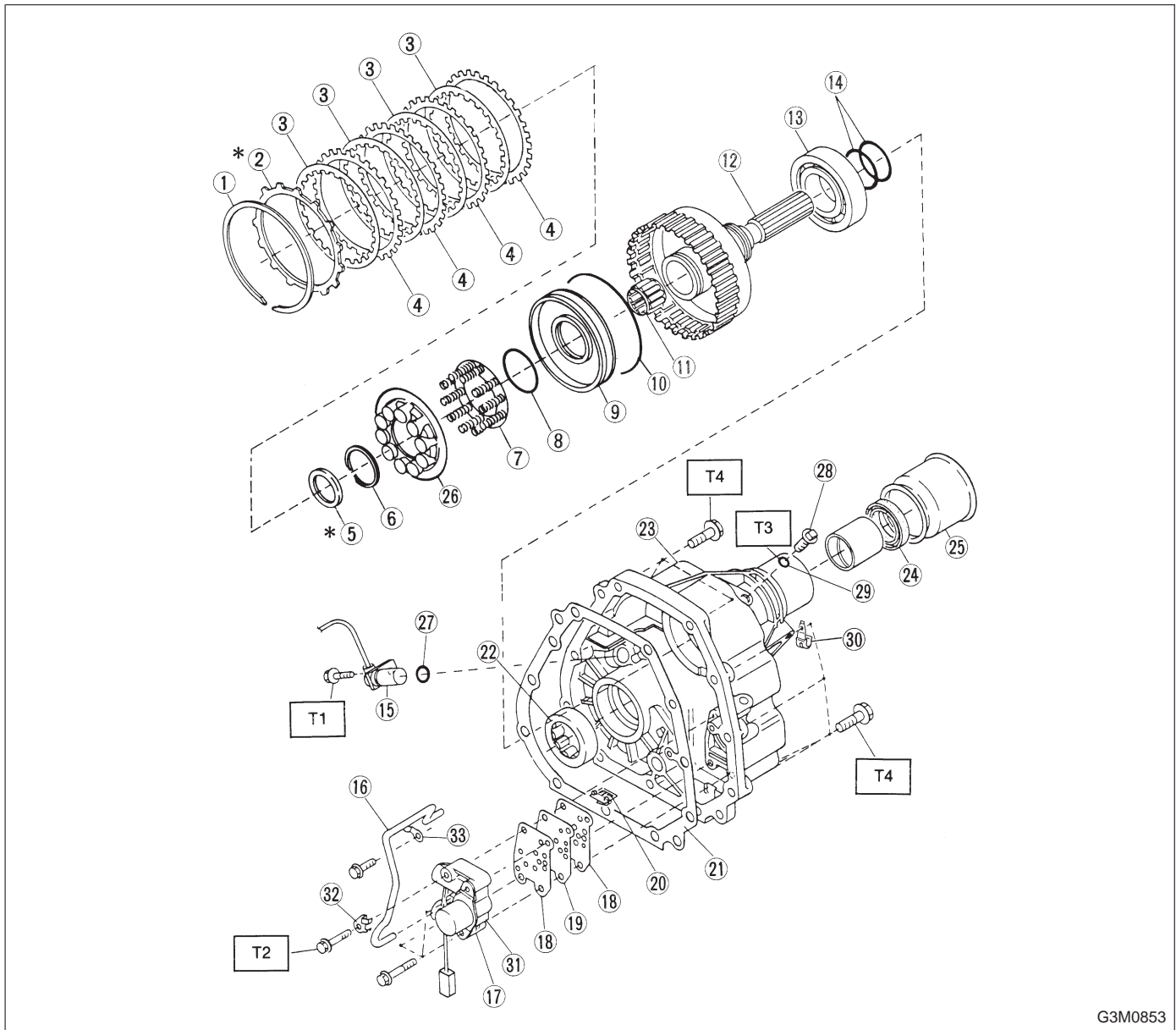


10. Transfer and Extension

1. 1800 cc MODEL



G3M0853

- | | | |
|--------------------------|-------------------------------------|-----------------------|
| ① Snap ring | ⑭ Seal ring | ⑳ O-ring |
| ② Pressure plate | ⑮ Vehicle speed sensor 1 (AWD only) | ㉑ Test plug |
| ③ Drive plate | ⑯ Pilot valve pipe | ㉒ O-ring |
| ④ Driven plate | ⑰ Duty sol. C (transfer clutch) | ㉓ Clip |
| ⑤ Thrust needle bearing | ⑱ Gasket | ㉔ Transfer valve body |
| ⑥ Snap ring | ⑲ Plate | ㉕ Clip |
| ⑦ Spring retainer | ⑳ Filter | ㉖ Stay |
| ⑧ Lathe cut seal ring | ㉑ Gasket | |
| ⑨ Transfer clutch piston | ㉒ Roller bearing | |
| ⑩ Lathe cut seal ring | ㉓ Extension case | |
| ⑪ Needle bearing | ㉔ Oil seal | |
| ⑫ Rear drive shaft | ㉕ Dust seal | |
| ⑬ Ball bearing | ㉖ Seal transfer piston | |

Tightening torque: N·m (kg·m, ft·lb)

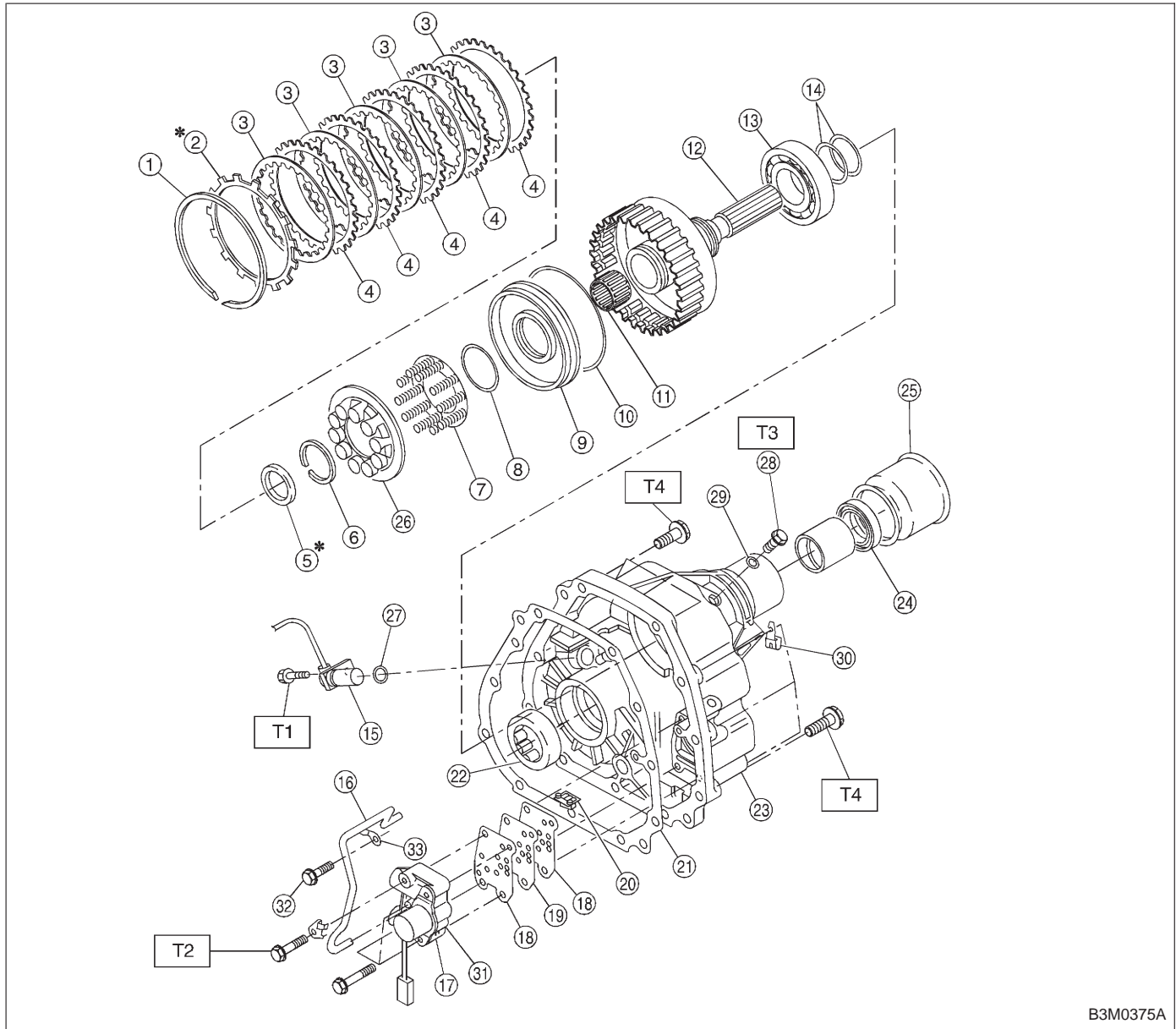
T1: 7±1 (0.7±0.1, 5.1±0.7)

T2: 8±1 (0.8±0.1, 5.8±0.7)

T3: 13±1 (1.3±0.1, 9.4±0.7)

T4: 25±1 (2.5±0.1, 18.1±0.7)

2. 2200 cc MODEL



B3M0375A

- | | | |
|--------------------------|-------------------------------------|-----------------------|
| ① Snap ring | ⑭ Seal ring | ⑳ O-ring |
| ② Pressure plate | ⑮ Vehicle speed sensor 1 (AWD only) | ㉑ Test plug |
| ③ Drive plate | ⑯ Transfer clutch pipe | ㉒ O-ring |
| ④ Driven plate | ⑰ Duty sol. C (Transfer clutch) | ㉓ Clip |
| ⑤ Thrust needle bearing | ⑱ Gasket | ㉔ Transfer valve body |
| ⑥ Snap ring | ⑲ Plate | ㉕ Clip |
| ⑦ Spring retainer | ⑳ Filter | ㉖ Stay |
| ⑧ Lathe cut seal ring | ㉑ Gasket | |
| ⑨ Transfer clutch piston | ㉒ Roller bearing | |
| ⑩ Lathe cut seal ring | ㉓ Extension case | |
| ⑪ Needle bearing | ㉔ Oil seal | |
| ⑫ Rear drive shaft | ㉕ Dust seal | |
| ⑬ Ball bearing | ㉖ Seal transfer piston | |
| | | ㉗ O-ring |
| | | ㉘ Test plug |
| | | ㉙ O-ring |
| | | ㉚ Clip |
| | | ㉛ Transfer valve body |
| | | ㉜ Clip |
| | | ㉝ Stay |

Tightening torque: N·m (kg·m, ft·lb)
T1: 7±1 (0.7±0.1, 5.1±0.7)
T2: 8±1 (0.8±0.1, 5.8±0.7)
T3: 13±1 (1.3±0.1, 9.4±0.7)
T4: 25±2 (2.5±0.2, 18.1±1.4)