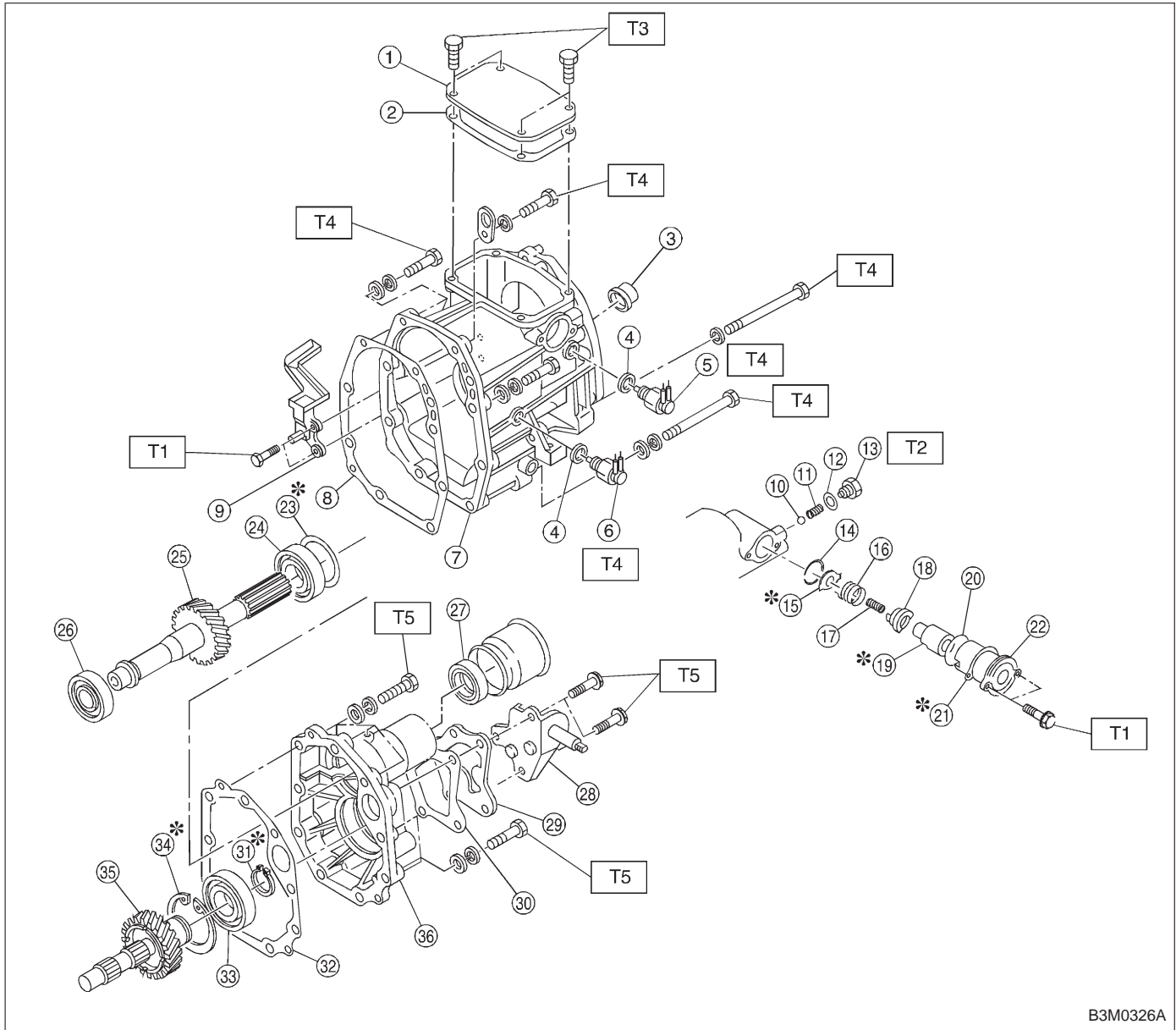


1. Transfer Case and Extension

1. AWD MODEL



B3M0326A

- | | | | | | | |
|------------------------|-------------------------|---------------------------|------------------------|---------------------------|-------------------------|------------------------|
| ① Transfer cover | ⑩ Ball | ⑳ Reverse checking sleeve | ⑳ Reverse checking cam | ⑳ Reverse checking spring | ⑳ Reverse return spring | ⑳ Snap ring (Outer-30) |
| ② Cover gasket | ⑪ Reverse accent spring | ㉑ Adjusting select shim | ㉑ Adjusting washer | ㉑ Adjusting shim | ㉑ Adjusting select shim | ㉑ Gasket |
| ③ Oil seal | ⑫ Gasket | ㉒ Reverse checking sleeve | ㉒ Oil seal | ㉒ Reverse checking cam | ㉒ Reverse return spring | ㉒ Ball bearing |
| ④ Gasket | ⑬ Plug | ㉓ Adjusting washer | ㉓ Oil seal | ㉓ Reverse checking cam | ㉓ Reverse accent shaft | ㉓ Snap ring (Inner-72) |
| ⑤ Neutral switch | ⑭ Snap ring (Inner) | ㉔ Adjusting shim | ㉔ O-ring | ㉔ Reverse checking cam | ㉔ Reverse accent shaft | ㉔ Transfer drive gear |
| ⑥ Back-up light switch | ⑮ Reverse check plate | ㉕ Adjusting washer | ㉕ O-ring | ㉕ Reverse checking cam | ㉕ Reverse accent shaft | ㉕ Extension |
| ⑦ Transfer case | | ㉖ Adjusting washer | ㉖ O-ring | ㉖ Reverse checking cam | ㉖ Reverse accent shaft | |
| ⑧ Gasket | | ㉗ Adjusting washer | ㉗ O-ring | ㉗ Reverse checking cam | ㉗ Reverse accent shaft | |
| ⑨ Oil guide | | ㉘ Adjusting washer | ㉘ O-ring | ㉘ Reverse checking cam | ㉘ Reverse accent shaft | |
| | | ㉙ Adjusting washer | ㉙ O-ring | ㉙ Reverse checking cam | ㉙ Reverse accent shaft | |
| | | ㉚ Adjusting washer | ㉚ O-ring | ㉚ Reverse checking cam | ㉚ Reverse accent shaft | |
| | | ㉛ Adjusting washer | ㉛ O-ring | ㉛ Reverse checking cam | ㉛ Reverse accent shaft | |
| | | ㉜ Adjusting washer | ㉜ O-ring | ㉜ Reverse checking cam | ㉜ Reverse accent shaft | |
| | | ㉝ Adjusting washer | ㉝ O-ring | ㉝ Reverse checking cam | ㉝ Reverse accent shaft | |
| | | ㉞ Adjusting washer | ㉞ O-ring | ㉞ Reverse checking cam | ㉞ Reverse accent shaft | |
| | | ㉟ Adjusting washer | ㉟ O-ring | ㉟ Reverse checking cam | ㉟ Reverse accent shaft | |
| | | ㊱ Adjusting washer | ㊱ O-ring | ㊱ Reverse checking cam | ㊱ Reverse accent shaft | |
| | | ㊲ Adjusting washer | ㊲ O-ring | ㊲ Reverse checking cam | ㊲ Reverse accent shaft | |
| | | ㊳ Adjusting washer | ㊳ O-ring | ㊳ Reverse checking cam | ㊳ Reverse accent shaft | |
| | | ㊴ Adjusting washer | ㊴ O-ring | ㊴ Reverse checking cam | ㊴ Reverse accent shaft | |
| | | ㊵ Adjusting washer | ㊵ O-ring | ㊵ Reverse checking cam | ㊵ Reverse accent shaft | |
| | | ㊶ Adjusting washer | ㊶ O-ring | ㊶ Reverse checking cam | ㊶ Reverse accent shaft | |
| | | ㊷ Adjusting washer | ㊷ O-ring | ㊷ Reverse checking cam | ㊷ Reverse accent shaft | |
| | | ㊸ Adjusting washer | ㊸ O-ring | ㊸ Reverse checking cam | ㊸ Reverse accent shaft | |
| | | ㊹ Adjusting washer | ㊹ O-ring | ㊹ Reverse checking cam | ㊹ Reverse accent shaft | |
| | | ㊺ Adjusting washer | ㊺ O-ring | ㊺ Reverse checking cam | ㊺ Reverse accent shaft | |

Tightening torque: N·m (kg·m, ft·lb)
T1: 6 — 7 (0.6 — 0.7, 4.3 — 5.1)
T2: 9 — 11 (0.9 — 1.1, 6.5 — 8.0)
T3: 14.2 — 17.2
(1.45 — 1.75, 10.5 — 12.7)
T4: 23 — 26 (2.3 — 2.7, 17 — 20)
T5: 34 — 40 (3.5 — 4.1, 25 — 30)