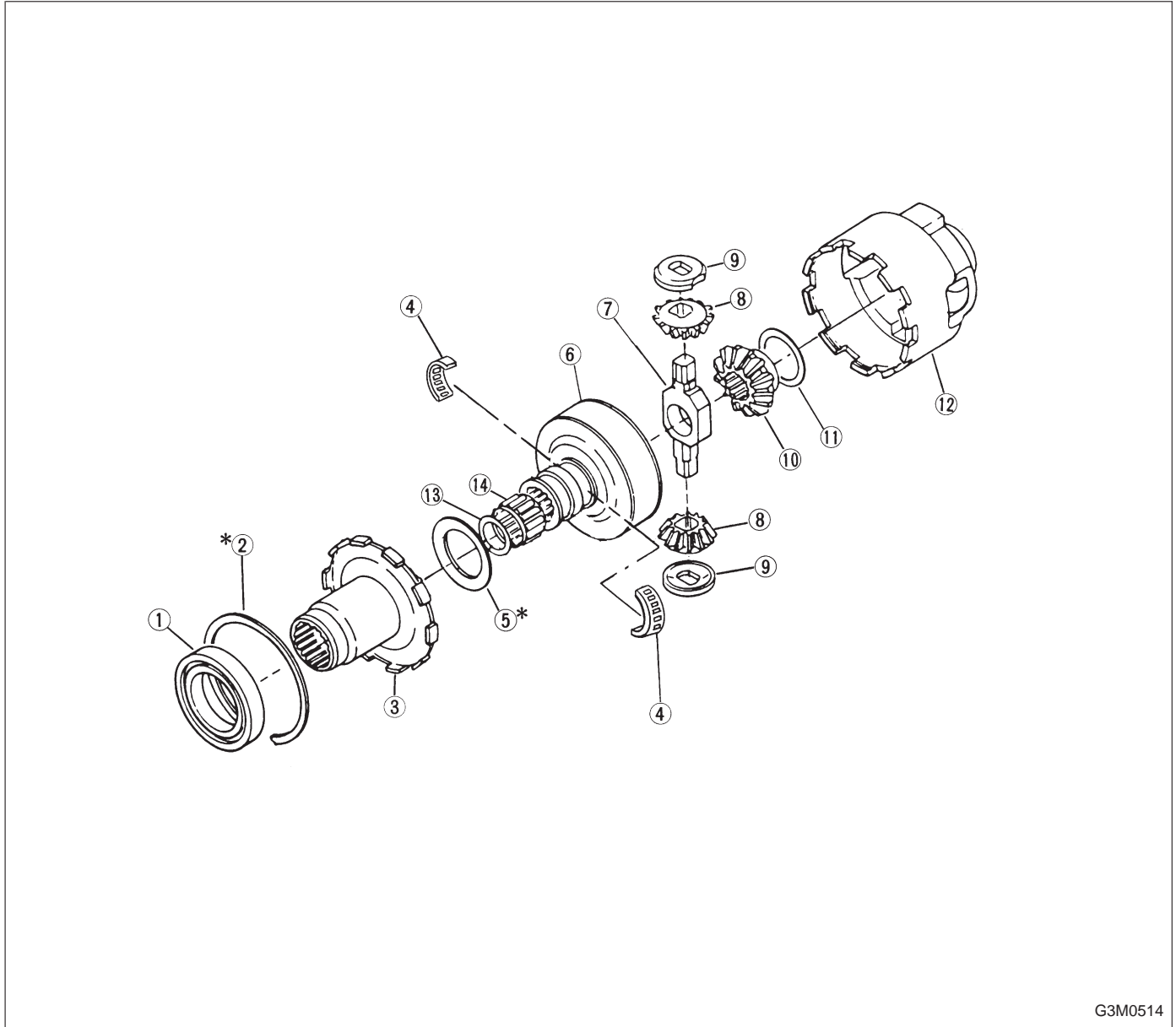


7. Center Differential



G3M0514

- | | |
|-----------------------------|-----------------------------|
| ① Ball bearing | ⑧ Differential bevel pinion |
| ② Snap ring (Inner-110) | ⑨ Retainer |
| ③ Center differential cover | ⑩ Differential bevel gear |
| ④ Needle bearing | ⑪ Washer |
| ⑤ Adjusting washer | ⑫ Center differential case |
| ⑥ Viscous coupling | ⑬ Snap ring |
| ⑦ Pinion shaft | ⑭ Roller bearing |