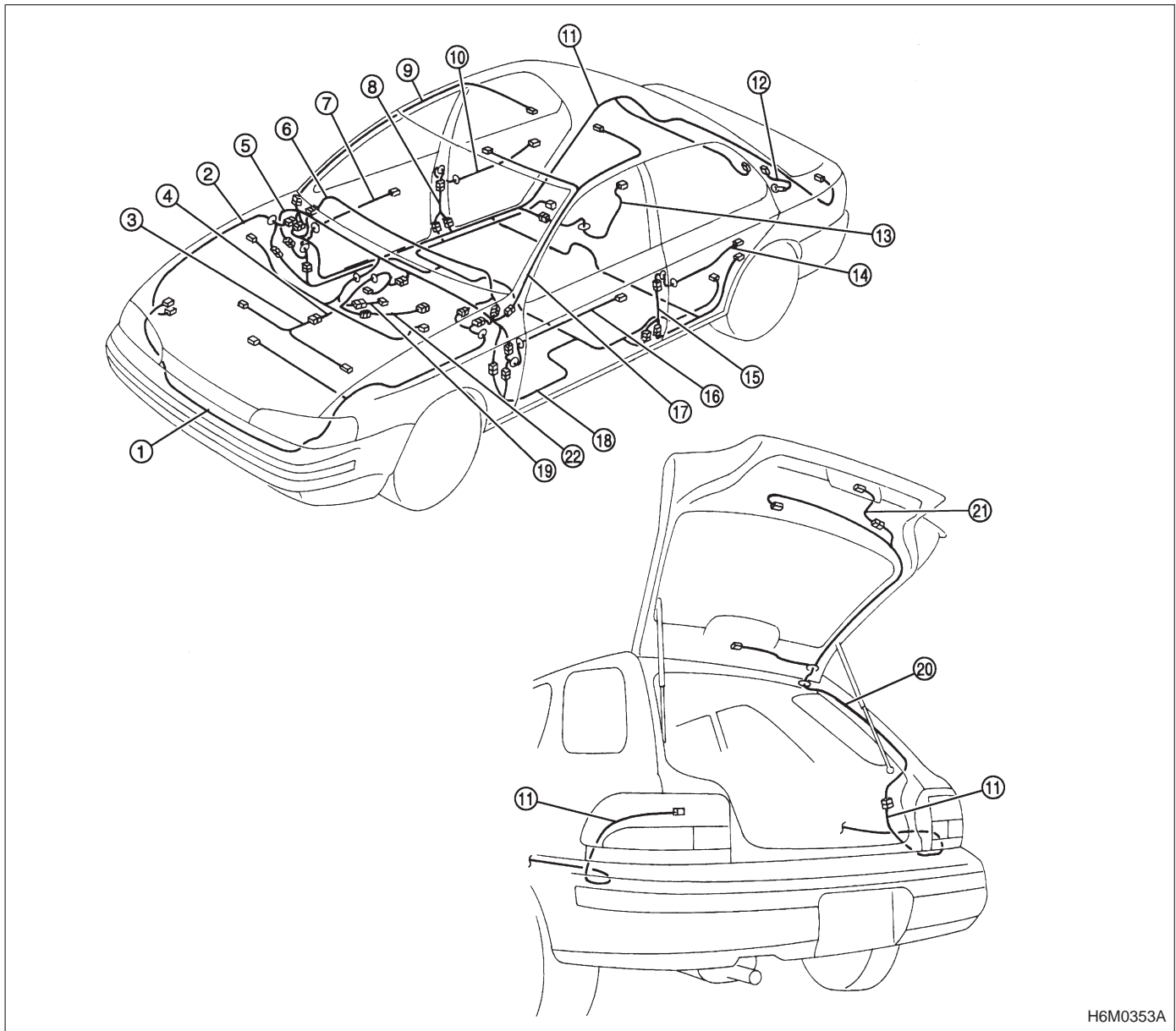


6. Electrical Wiring Harness and Ground Point



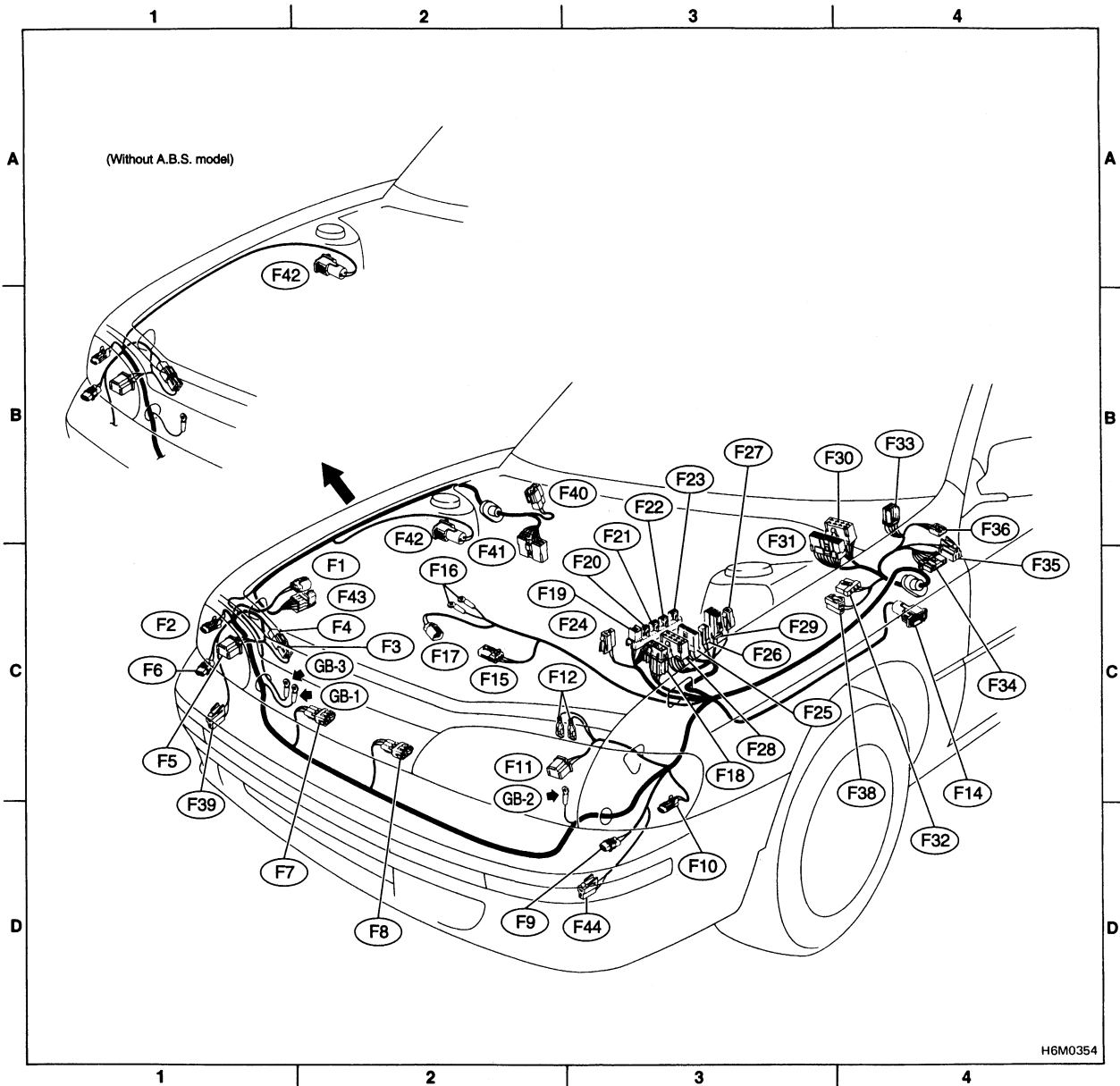
H6M0353A

- | | |
|-----------------------------------|-----------------------------------|
| ① Front wiring harness LH | ⑫ Rear defogger cord (Ground) |
| ② Front wiring harness RH | ⑬ Fuel tank cord |
| ③ Engine wiring harness | ⑭ Rear door cord LH |
| ④ Engine module wiring harness | ⑮ Rear door adapter cord LH |
| ⑤ Bulkhead wiring harness | ⑯ Front door cord LH |
| ⑥ Instrument panel wiring harness | ⑰ Sunroof cord or spot light cord |
| ⑦ Front door cord RH | ⑱ Power window main harness |
| ⑧ Rear door adapter cord RH | ⑲ Transmission cord |
| ⑨ Room light cord | ⑳ Rear gate cord |
| ⑩ Rear door cord RH | ㉑ Rear gate lock adapter cord |
| ⑪ Rear wiring harness | ㉒ Rear oxygen sensor cord |

Connector			Connecting to	
No.	Pole	Color	No.	Name
F1	2	Gray		Hydraulic unit
F2	2	Gray		Front marker light RH
F3	1	Black	F4	A/C short connector
F4	1	Black	F3	
F5	3	Black		Headlight RH
F6	2	★		Front fan signal light RH
F7	3	Black		Sub fan motor
F8	3	Black		Radiator main fan motor
F9	2	★		Front turn signal light LH
F10	2	Gray		Front marker light LH
F11	3	Black		Headlight LH
F12	1 x 2	★		Horn
F14	2	★		Side turn signal light LH
F15	3	Gray		A/C compressor
F16	1 x 2	★		Generator
F17	2	Gray		
F18	4	Black		SBF holder
F19	4	Black		A/C fuse (Relay holder)
F20	4	Black		A/C sub fan relay-2 (Relay holder)
F21	4	Black		A/C main fan relay (Relay holder)
F22	4	Black		A/C sub fan relay-1 (Relay holder)
F23	4	Black		A/C relay (Relay holder)
F24	2	Green		Front washer motor
F25	3	★		M/B
F26	2	Black		
F27	1	Brown		
F28	8	★		
F29	2	Black		
F30	8	★	B49	Bulkhead wiring harness
F31	16	★	B50	
F32	3	Orange		A/C diode
F33	6	Black	i6	Instrument panel wiring harness
F34	10	Gray		F/B
F35	3	Gray		
F36	5	Gray		
F38	2	Black		Horn condenser
F39	2	Black		Front fog light RH
F40	2	Blue	B83	Bulkhead wiring harness
F41	13	★	P1	Power window main harness
F42	2	★		Side turn signal light RH
F43	12	Black		Hydraulic unit
F44	2	Black		Front fog light LH

★: Non-colored

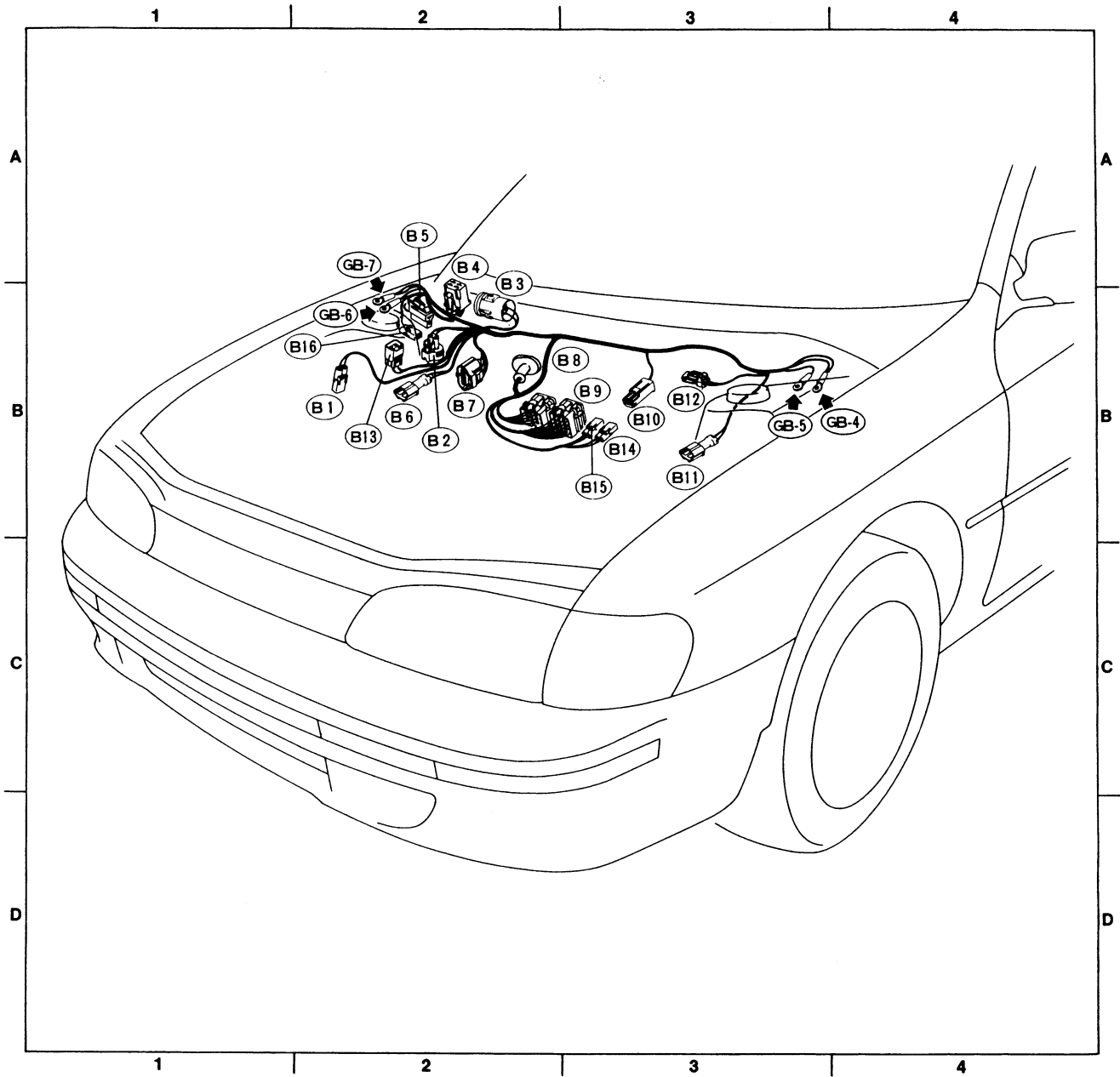
1. FRONT WIRING HARNESS AND GROUND POINT



H6M0354

Connector			Connecting to	
No.	Pole	Color	No.	Name
B1	2	Gray		AT dropping resistor
B2	2	Gray		A/C pressure switch
B3	5			Front wiper motor
B4	4	Blue		A/C cut relay
B5	2			FWD switch (AT)
B6	2	Gray		A.B.S. front sensor RH
B7	4	Gray		Cruise control actuator
B8	12	Gray	T3	Transmission (AT)
B9	16	Gray	T4	
B10	1	Black		Starter (Magnet)
B11	2	Gray		A.B.S. front sensor LH
B12	2	Gray		Brake fluid level switch
B13	2	Black		A.B.S. G sensor (MT)
B14	2	Brown	T2	Neutral position switch (MT)
B15	2	Gray	T1	Back-up light switch (MT)
B16	2	Gray	T1	Resistor (DRL)

2. BULKHEAD WIRING HARNESS AND GROUND POINT (IN ENGINE ROOM)



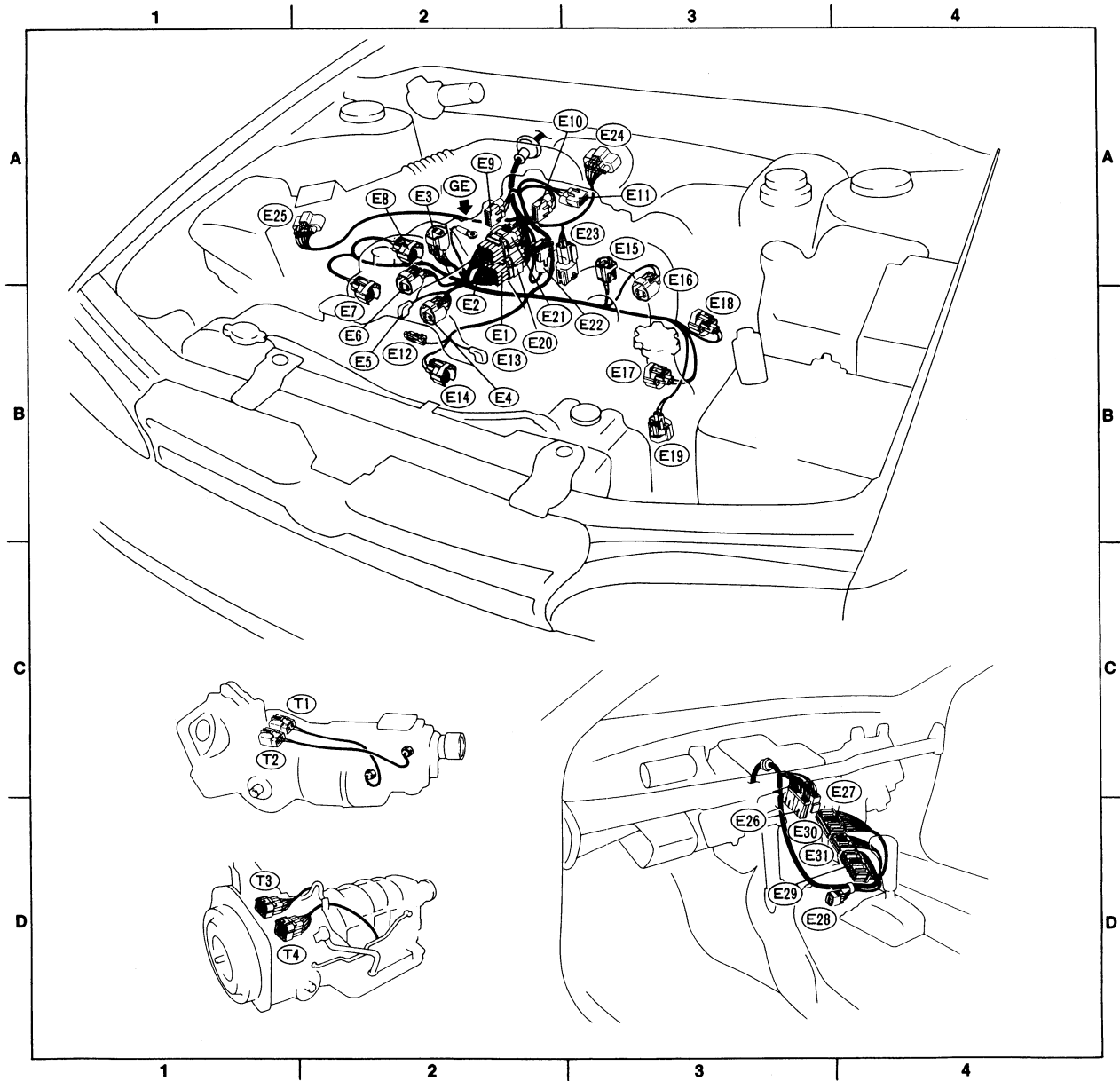
G6M0218

Connector			Connecting to	
No.	Pole	Color	No.	Name
E1	16	Gray	E20	Engine module wiring harness
E2	14	Gray	E21	
E3	2	Gray		Air suction solenoid valve (California)
E4	2	Brown		Engine coolant temperature sensor
E5	1	★		Thermometer
E6	2	Blue		Purge control solenoid valve
E7	2	Gray		Injector #1
E8	2	Gray		Injector #3
E9	3	Gray		Ignition coil
E10	3	Gray		Throttle position sensor
E11	3	Gray		Idle air control solenoid
E12	1	Gray		Power steering oil pressure switch
E13	1	★		Oil pressure switch
E14	2	Gray		Crankshaft position sensor
E15	2	Black		Recirculation gas temperature sensor (California)
E16	2	Brown		EGR solenoid valve
E17	2	Gray		Injector #2
E18	2	Gray		Injector #4
E19	2	Gray		Camshaft position sensor
E20	16	Gray	E1	Engine wiring harness
E21	16	★	E2	
E22	2	Gray		FICD solenoid
E23	4	Gray		Oxygen sensor
E24	6	Gray		Ignitor
E25	5	Gray		Mass air flow meter
E26	20	★	B74	Bulkhead wiring harness
	24	★	B74	Bulkhead wiring harness (California model)
E27	8	★	B73	Bulkhead wiring harness
E28	6	★		Shield joint connector
E29	26	Light blue		Engine control module
E30	22	Light blue		
E31	16	Light blue		

Connector			Connecting to	
No.	Pole	Color	No.	Name
T1	2	Gray	B15	Bulkhead wiring harness (MT)
T2	2	Brown	B14	
T3	12	Gray	B8	Bulkhead wiring harness (AT)
T4	16	Gray	B9	

★: Non-colored

3. ENGINE WIRING HARNESS · TRANSMISSION CORD AND GROUND POINT (1800 cc engine model)



6. Electrical Wiring Harness and Ground Point

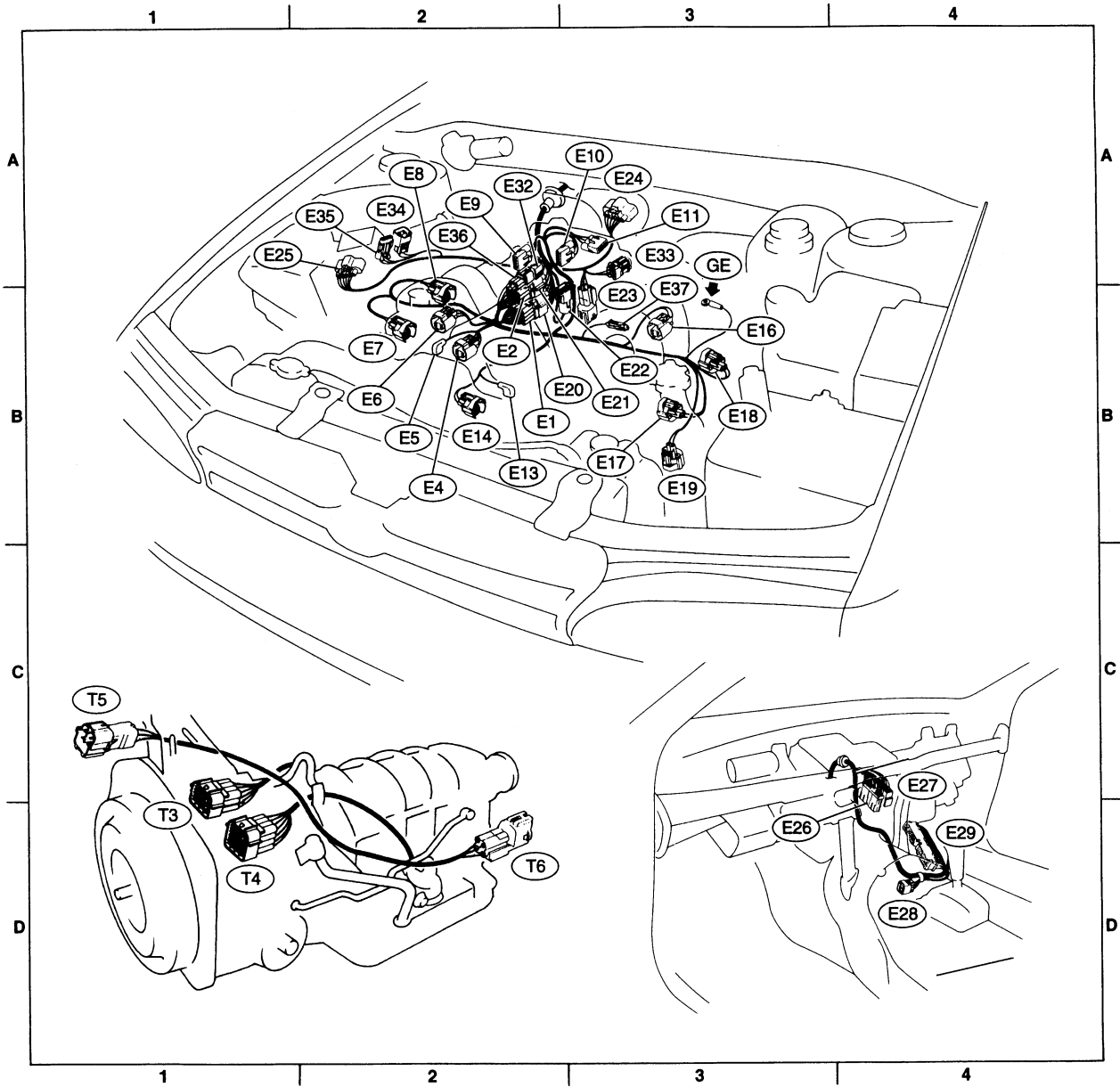
Connector			Connecting to	
No.	Pole	Color	No.	Name
E1	16	Gray	E20	Engine module wiring harness
E2	12	Gray	E21	
E4	2	Brown		Engine coolant temperature sensor
E5	1	★		Thermometer
E6	2	Blue		Purge control solenoid valve
E7	2	Light gray		Injector #1
E8	2	Dark gray		Injector #3
E9	3	Gray		Ignition coil
E10	3	Brown		Throttle position sensor
E11	3	Gray		Idle air control solenoid
E13	1	★		Oil pressure switch
E14	2	Gray		Crankshaft position sensor
E16	2	Brown		E.G.R. solenoid valve
E17	2	Light gray		Injector #2
E18	2	Dark gray		Injector #4
E19	2	Dark gray		Camshaft position sensor
E20	16	Gray	E1	Engine wiring harness
E21	12	Gray	E2	
E22	2	Gray		FICD solenoid valve
E23	4	★		Front oxygen sensor
E24	6	Gray		Ignitor
E25	5	Gray		Mass air flow sensor
E26	24	★	B74	Bulkhead wiring harness
E27	8	★	B73	
E28	6	★		Shield joint connector
E29	96	Dark gray		Engine control module
E32	6	★	E36	Engine wiring harness

E33	4	Gray	T5	Rear oxygen sensor cord
E34	2	Brown		Pressure source switching solenoid
E35	3	Black		Pressure sensor
E36	6	★	E32	Engine module wiring harness
E37	1	Gray		Knock sensor

Connector			Connecting to	
No.	Pole	Color	No.	Name
T3	12	Gray	B8	Bulkhead wiring harness
T4	16	Gray	B9	
T5	4	Gray	E33	Engine module wiring harness
T6	4	Gray		Rear oxygen sensor

★: Non-colored

4. ENGINE WIRING HARNESS · TRANSMISSION CORD AND GROUND POINT (2200 cc engine model)



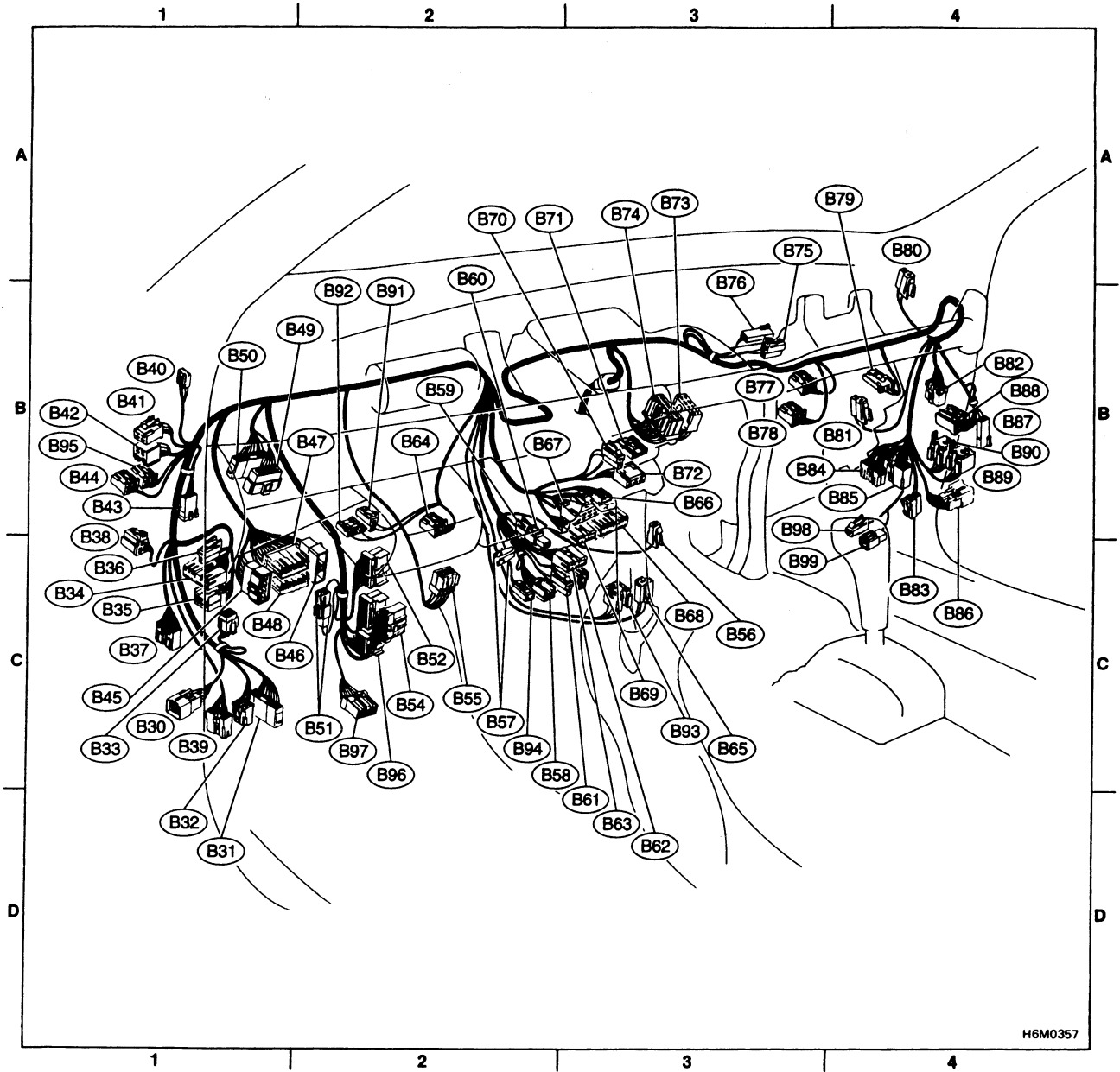
6. Electrical Wiring Harness and Ground Point

Connector			Connecting to	
No.	Pole	Color	No.	Name
B30	13	★	D1	Front door cord LH
B31	16	Black	P8	Power window main harness
B32	4	★	P7	
B33	6	★		Shield joint connector (A.B.S.)
B34	11	Gray		F/B
B35	12	Gray		
B36	2	Brown		F/B illumination light
B37	14	Gray		Check connector
B38	3	Black		Horn relay
B39	7	Yellow		SRS (Airbag) harness
B40	5	Black	R34	Sunroof cord
B41	4	Green		Fuel pump relay
B42	6	Brown		Main relay
B43	2	Black		Diode (A/C)
	4	Brown		Diode (A/C) (California model)
B44	4	★		Blower relay
B45	8	★	i1	Instrument panel wiring harness
B46	12	Black	i2 AT	
B47	20	★	i4	
B48	20	Blue	i3	
B49	8	★	F30	Front wiring harness LH
B50	16	★	F31	
B51	1 x 2	★		Twist joint connector (AT)
B52	16	Black		Transmission control module
B53	20	Black		
B54	20	★		Cruise control module
B55	12	Black		AT shift lock control module
B56	1	Blue	i8	Instrument panel wiring harness
B57	1 x 2	★		Diagnosis terminal (Ground)
B58	6	Black		Diagnosis connector (Airbag model)
B59	1	Black	B60	Read memory connector (Transit connector)
B60	1	Black	B59	Normally disconnected
B61	2	Green	B62	Test mode connector
B62	2	Green	B61	Normally disconnected
B63	9	Yellow		Date link connector
B64	4	Black		Stop and brake switch (With cruise control)
	2	Black		Stop light switch
B65	3	Black		Turn & hazard unit
B66	5	Black		Cruise control sub switch

Connector			Connecting to	
No.	Pole	Color	No.	Name
B67	8	★		Combination switch (Lighting switch)
B68	11	★		Combination switch
B69	9	★		Combination switch
B70	2	Black		Key warning switch
B71	2	Black		Key lock solenoid
B72	6	Black		Ignition switch
B73	8	★	E27	Engine module wiring harness
B74	20	★	E26	Engine module wiring harness
	24	★	E26	Engine module wiring harness (California and 2200 cc model)
B75	2	Black		Horn condenser
B76	2	Black		Diode (Lighting)
B77	4	Brown		Evaporator thermoswitch
B78	4	★		Blower motor resistor
B79	4	★		FRESH/RECIRC actuator
B80	2	Green	R32	Room light cord
B81	2	★		Blower motor
B82	8	★		Door lock timer
B83	2	Blue	F40	Front wiring harness RH (With A.B.S. model)
B84	12	Black	R2	Rear wiring harness
B85	16	Blue	R1	
B86	13	★	D8	Front door cord RH
B87	2	Black		Diode (Daytime running light) (Canada model)
B88	10	★		Daytime running light control module (Canada model)
B89	4	Blue		Daytime running light HI beam relay (Canada model)
B90	5	Black		Daytime running light relay (Canada model)
B91	2	★		Clutch switch (MT)
B92	2	Blue		Clutch switch (MT — cruise control)
B93	4	Blue		Starter interlock relay (MT)
B94	2	Black		Check connector (A.B.S.)
B95	4	Black		Front fog light relay
B96	12	Black		Transmission control module (2200 cc model)
B97	16	Gray		OBD-II service connector (2200 cc model)
B98	1	Green		Test mode connector
B99	1	Green		(2200 cc model)

★: Non-colored

5. BULKHEAD WIRING HARNESS (IN COMPARTMENT)

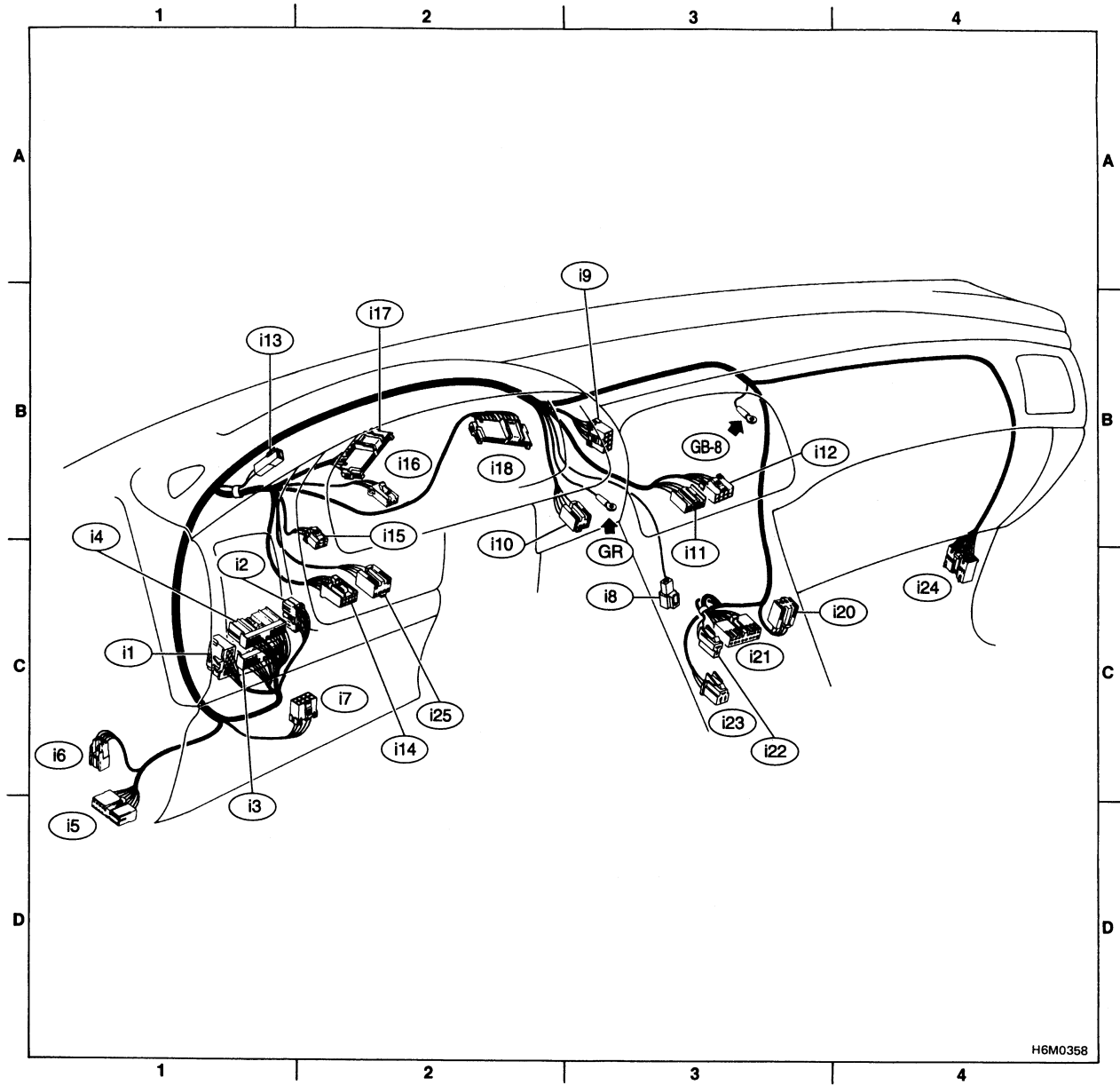


H6M0357

Connector			Connecting to	
No.	Pole	Color	No.	Name
i1	8	★	B45	Bulkhead wiring harness
i2	12	Black	B46 AT	
i3	20	Blue	B48	
i4	20	★	B47	
i5	15	Gray		F/B
i6	6	Black	F33	Front wiring harness LH
i7	8	★		Seat belt timer
i8	1	Blue	B56	Bulkhead wiring harness
i9	8	★		Hazard switch
i10	6	Brown		Cruise control main switch
i11	6	★		Fan switch
i12	8	★		Mode control panel
i13	2	Black		Diode (Seat belt)
i14	10	★		Remote control rearview mirror switch
i15	4	★		Rear defogger switch
i16	4	★		Combination meter (Airbag warning)
i17	16	Gray		Combination meter
i18	16	Gray		
i20	6	Black		Illumination control module
i21	14	★		Radio
i22	2	★		CD illumination light
i23	3	★		Cigarette lighter
i24	16	★	R3	Rear wiring harness
i25	6	★		Front fog light switch

★: Non-colored

6. INSTRUMENT PANEL WIRING HARNESS AND GROUND POINT

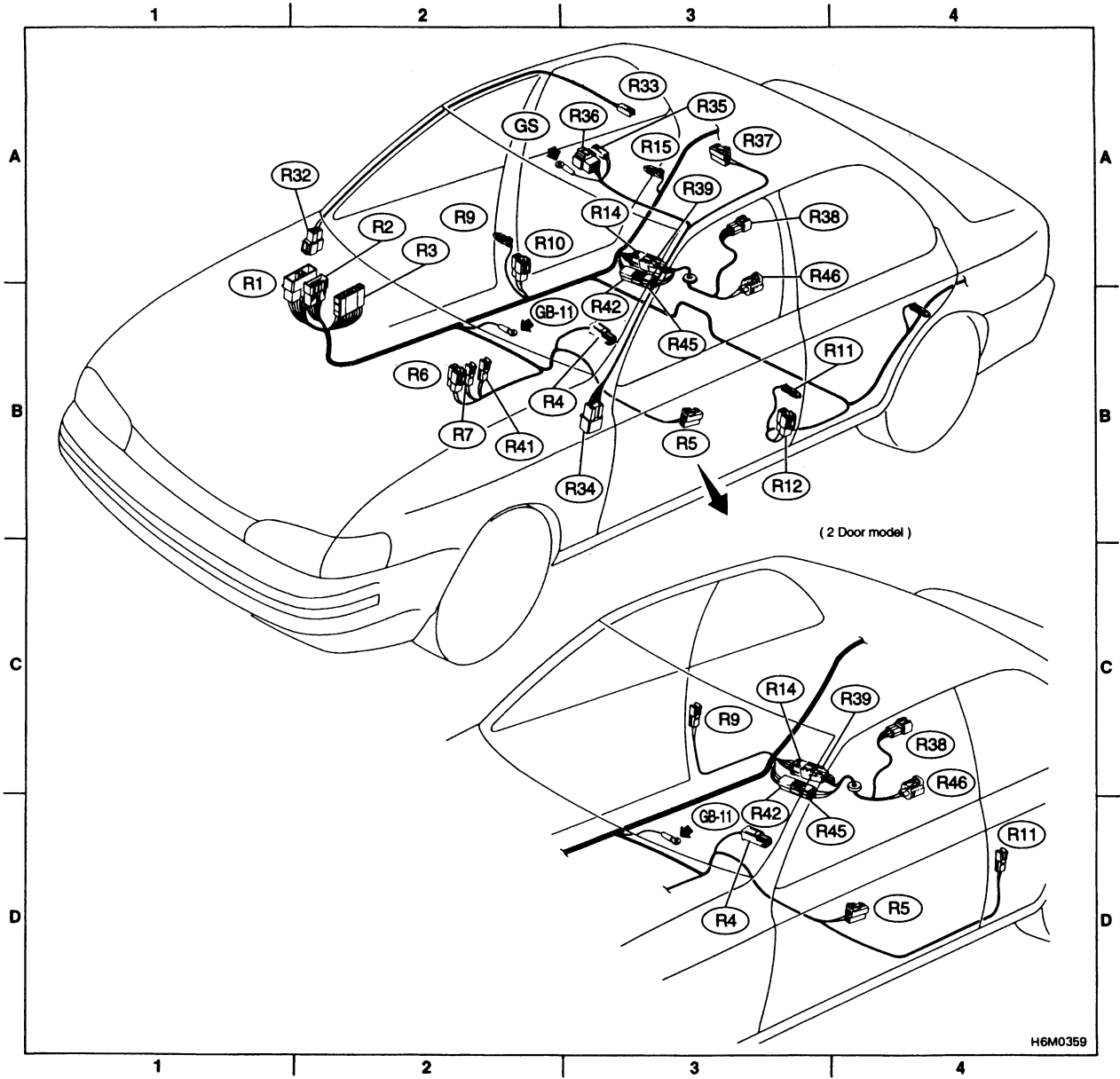


H6M0358

Connector			Connecting to	
No.	Pole	Color	No.	Name
R1	16	Blue	B85	Bulkhead wiring harness
R2	12	Black	B84	
R3	16	★	i24	Instrument panel wiring harness
R4	1	Black		Parking brake switch
R5	2	★		Seat belt switch
R6	2	★		Select lever illumination light (AT)
R7	2	Black		Shift lock solenoid (AT)
R9	1	Brown		Front door switch RH
R10	2	Pink	D18	Rear door cord RH
R11	1	Brown		Front door switch LH
R12	2	Pink	D15	Rear door cord LH
R13	1	Brown		Rear door switch LH
R14	6	Black	R39	Fuel tank cord
R15	1	Brown		Rear door switch RH
R32	2	Green	B80	Bulkhead wiring harness
R33	2	★		Room light
R34	5	Black	B40	Bulkhead wiring harness
R35	2	★		Spot light
R36	4	★		Sunroof switch
R37	2	★		Sunroof motor
R38	6	★		Fuel gauge unit
R39	6	Black	R14	Rear wiring harness
R41	2	★		Park position switch (AT)
R42	4	★	R45	Fuel tank cord (California model)
R45	4	★	R42	Rear wiring harness (California model)
R46	2	Black		Pressure control solenoid valve (California model)

★: Non-colored

7. REAR WIRING HARNESS AND GROUND POINT



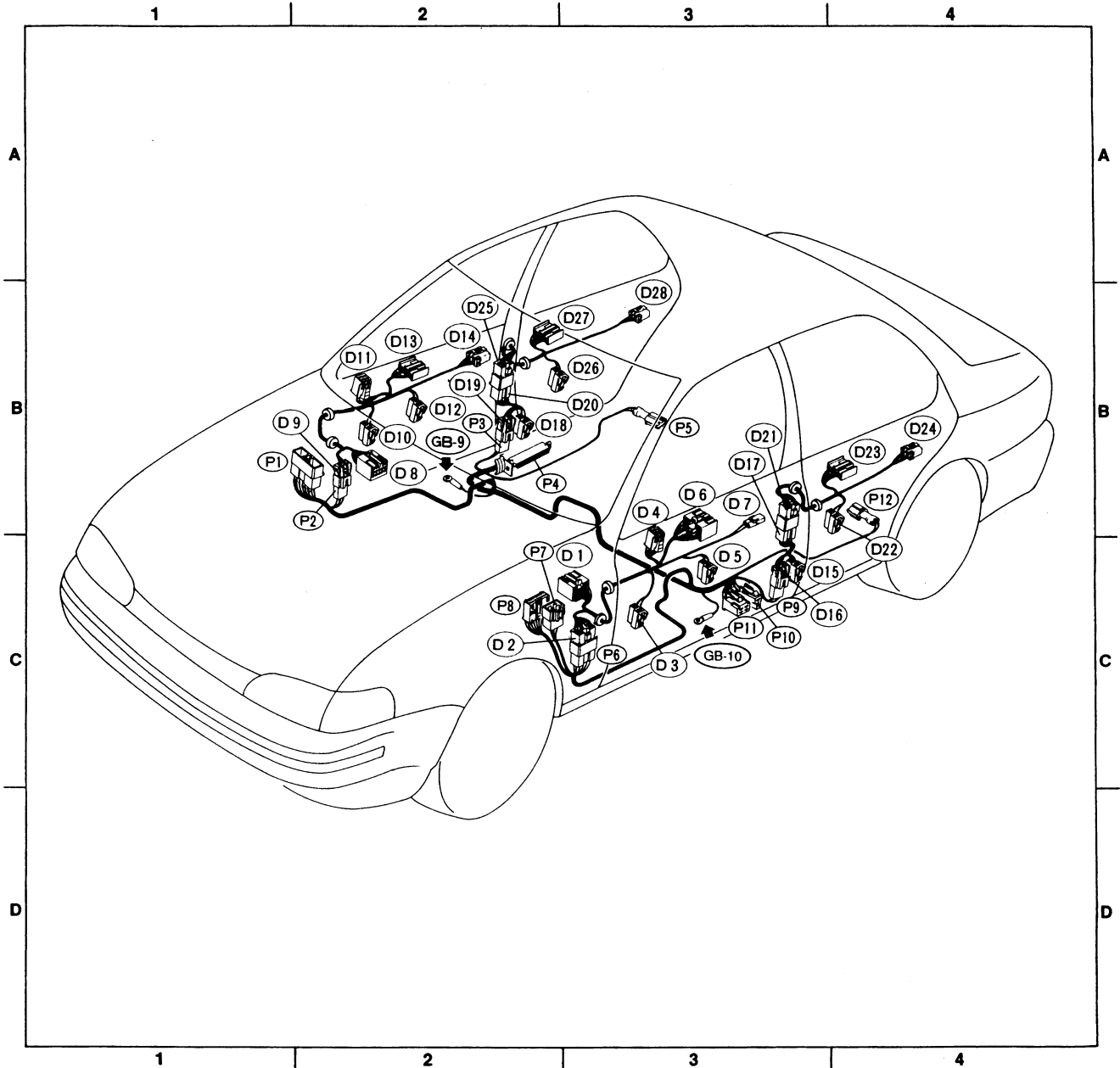
H6M0359

H6M0359

Connector			Connecting to	
No.	Pole	Color	No.	Name
P1	13		F41	Front wiring harness RH
P2	3		D9	Front door cord RH
P3	3		D19	Rear door adapter cord RH
P4	35	Blue		A.B.S. control module
P5	2	Gray		Rear A.B.S. sensor RH
P6	9		D2	Front door cord LH
P7	4		B32	Bulkhead wiring harness
P8	16	Black	B31	
P9	3		D16	Rear door adapter cord LH
P10	2			Power window circuit breaker
P11	4			Power window and sunroof relay
P12	2	Gray		Rear A.B.S. sensor LH

Connector			Connecting to	
No.	Pole	Color	No.	Name
D1	13		B30	Bulkhead wiring harness
D2	9		P6	Power window main harness
D3	2			Front speaker LH
D4	6			Remote control rearview mirror LH
D5	2	Green		Front power window motor LH
D6	14			Power window main switch
D7	2	Gray		Front door lock switch LH
D8	13		B86	Bulkhead wiring harness
D9	3		P2	Power window main harness
D10	2			Front speaker RH
D11	6			Remote control rearview mirror RH
D12	2	Green		Front power window motor RH
D13	5			Front power window sub switch RH
D14	4			Front door lock actuator RH
D15	2	Pink	R12	Rear wiring harness
D16	3		P9	Power window main harness
D17	5		D21	Rear door cord LH
D18	2	Pink	R10	Rear wiring harness
D19	3		P3	Power window main harness
D20	5		D25	Rear door cord RH
D21	5		D17	Rear door adapter cord LH
D22	2	Green		Rear power window motor LH
D23	5			Rear power window sub switch LH
D24	4			Rear door lock actuator LH
D25	5		D20	Rear door adapter cord RH
D26	2	Green		Rear power window motor RH
D27	5			Rear power window sub switch RH
D28	4			Rear door lock actuator RH

8. POWER WINDOW MAIN HARNESS, DOOR CORD AND GROUND POINT

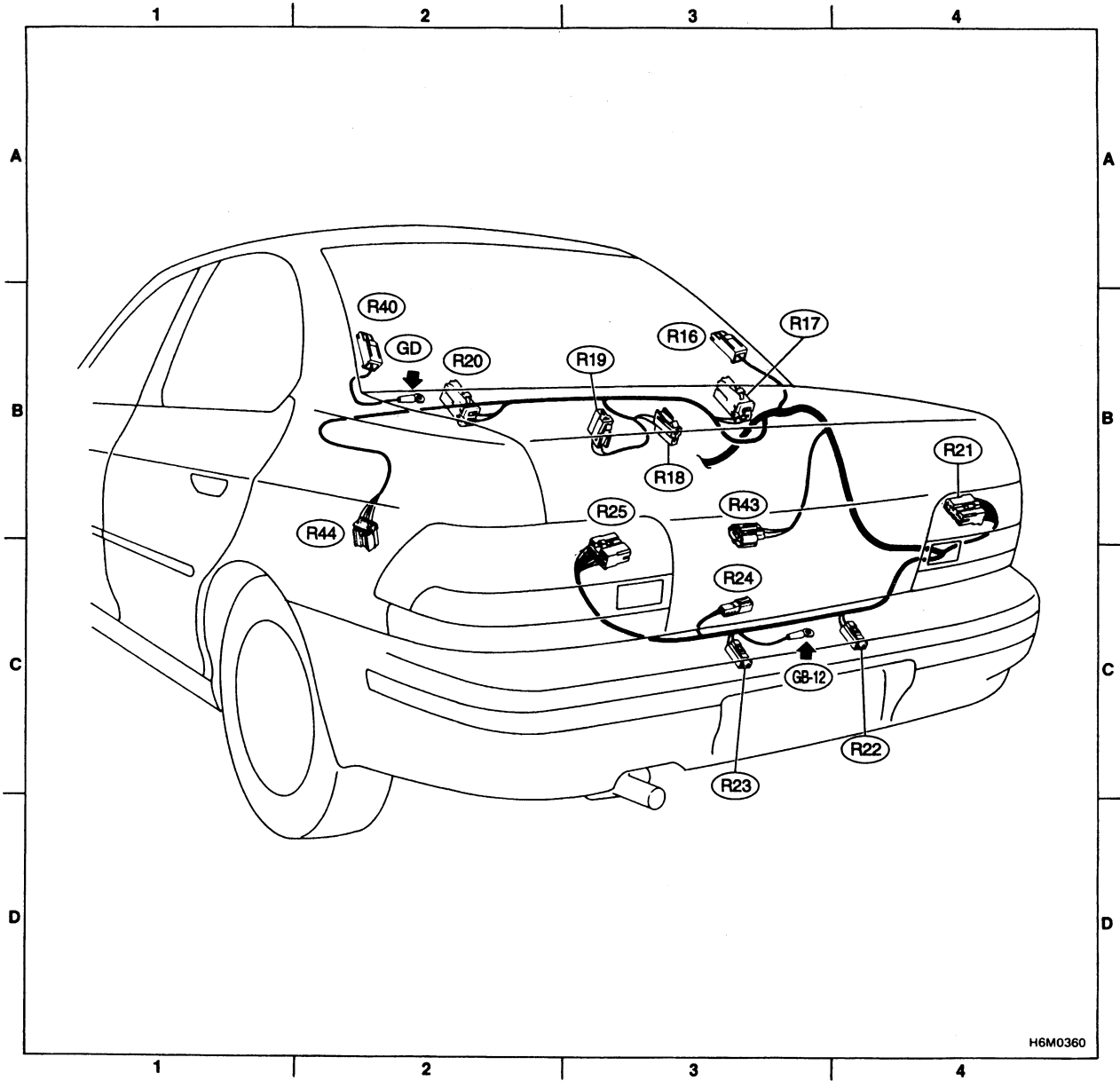


G6M0226

Connector			Connecting to	
No.	Pole	Color	No.	Name
R16	1	Black		Rear defogger (Power)
R17	2	Black		Rear speaker RH
R18	2	Black		Trunk room light
R19	2	★		High-mount stop light
R20	2	Black		Rear speaker LH
R21	7	★		Rear combination light RH
R22	2	★		License plate light RH
R23	2	★		License plate light LH
R24	2	★		Trunk room light switch
R25	7	★		Rear combination light LH
R40	1	Black		Rear defogger (Ground)
R43	3	★		Fuel tank pressure sensor (California model)
R44	6	★		Power antenna

★: Non-colored

9. REAR END WIRING HARNESS AND GROUND POINT OF SEDAN



H6M0360

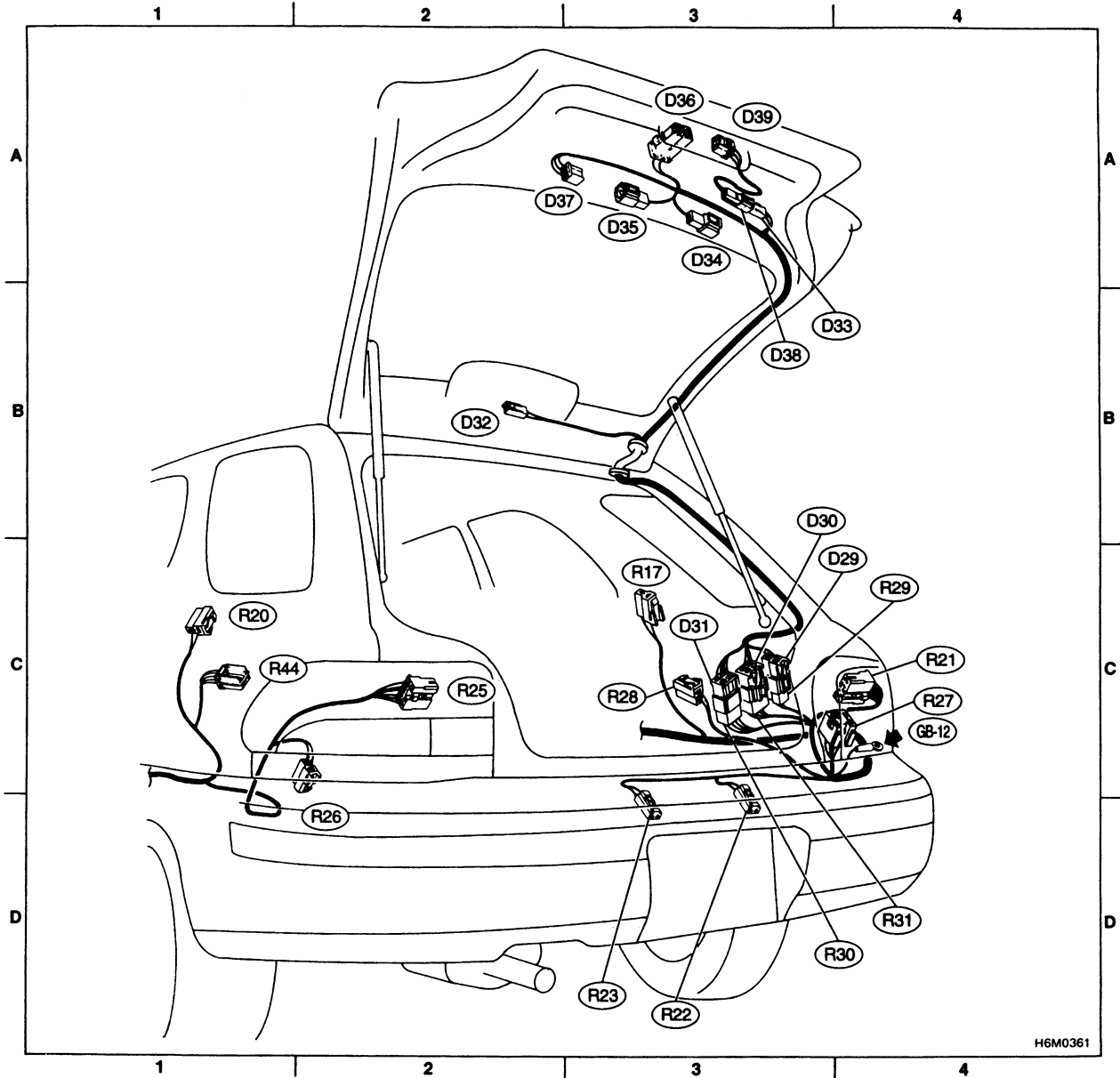
H6M0360

Connector			Connecting to	
No.	Pole	Color	No.	Name
R17	2	★		Rear speaker RH
R20	2	★		Rear speaker LH
R21	7	★		Rear combination light RH
R22	2	★		License plate light RH
R23	2	★		License plate light LH
R25	7	★		Rear combination light LH
R26	2	Green		Rear washer motor
R27	5	Black		Rear wiper relay
R28	2	★		Luggage room light
R29	2	★	D29	Rear gate cord
R30	4	★	D31	
R31	4	★	D30	
R44	6	★		Power antenna

Connector			Connecting to	
No.	Pole	Color	No.	Name
D29	2	★	R29	Rear wiring harness
D30	4	★	R31	
D31	4	★	R30	
D32	2	★		High-mount stop light
D33	2	★	D38	Rear gate lock adapter cord
D34	1	★		Rear defogger (Power)
D35	1	★		Rear defogger (Ground)
D36	2	★		Rear gate latch switch
D37	4	★		Rear wiper motor
D38	2	★	D33	Rear gate cord
D39	4	★		Rear gate lock actuator

★: Non-colored

10. REAR END WIRING HARNESS AND GROUND POINT OF WAGON



H6M0361