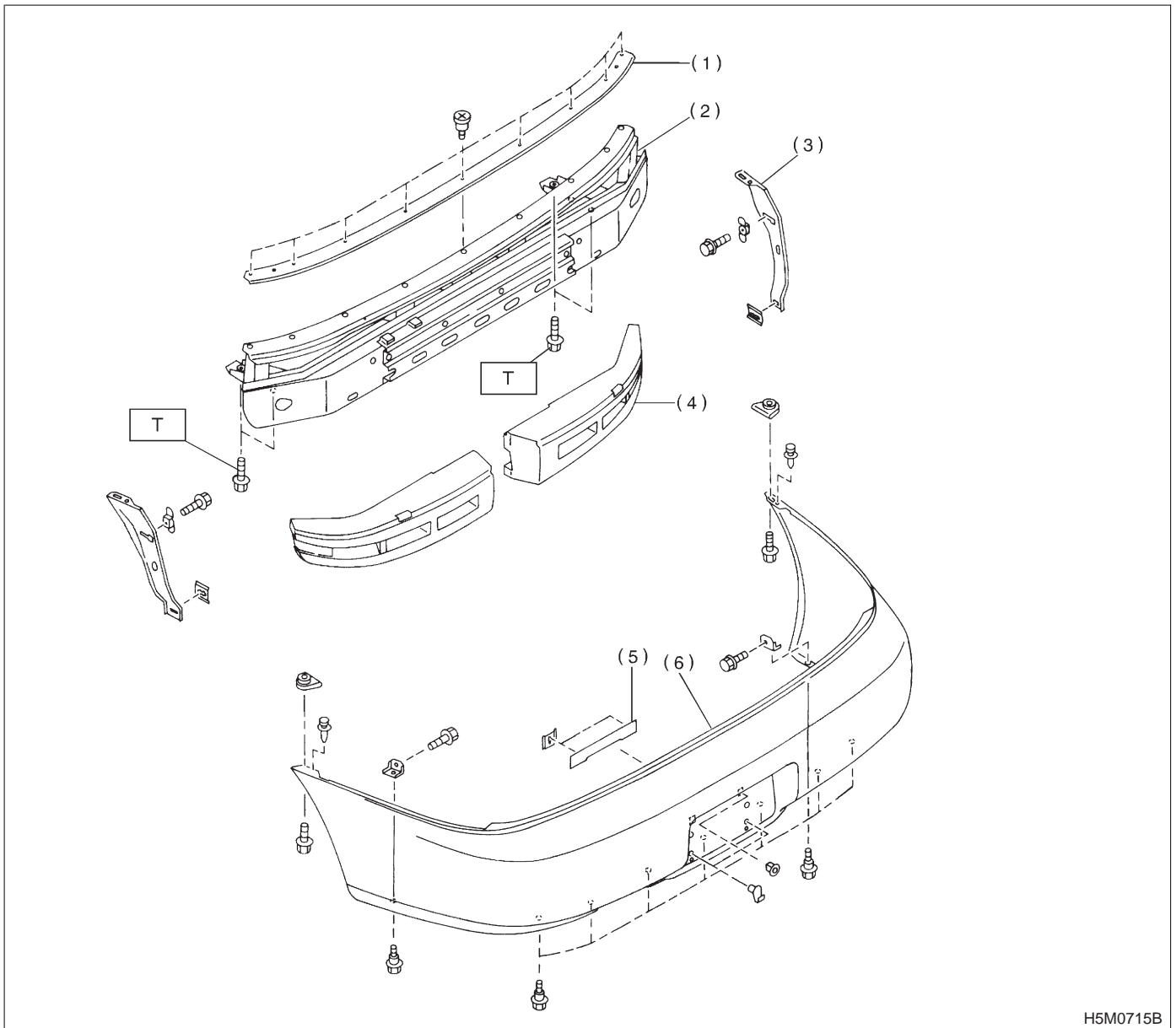


4. Rear Bumper



- | | |
|--------------------|---------------------|
| (1) Holder upper | (4) E/A from bumper |
| (2) Bumper beam | (5) Plate |
| (3) Bracket (Side) | (6) Bumper surface |

Tightening torque: N-m (kg-m, ft-lb)
T: 93±25 (9.5±2.5, 69±18)