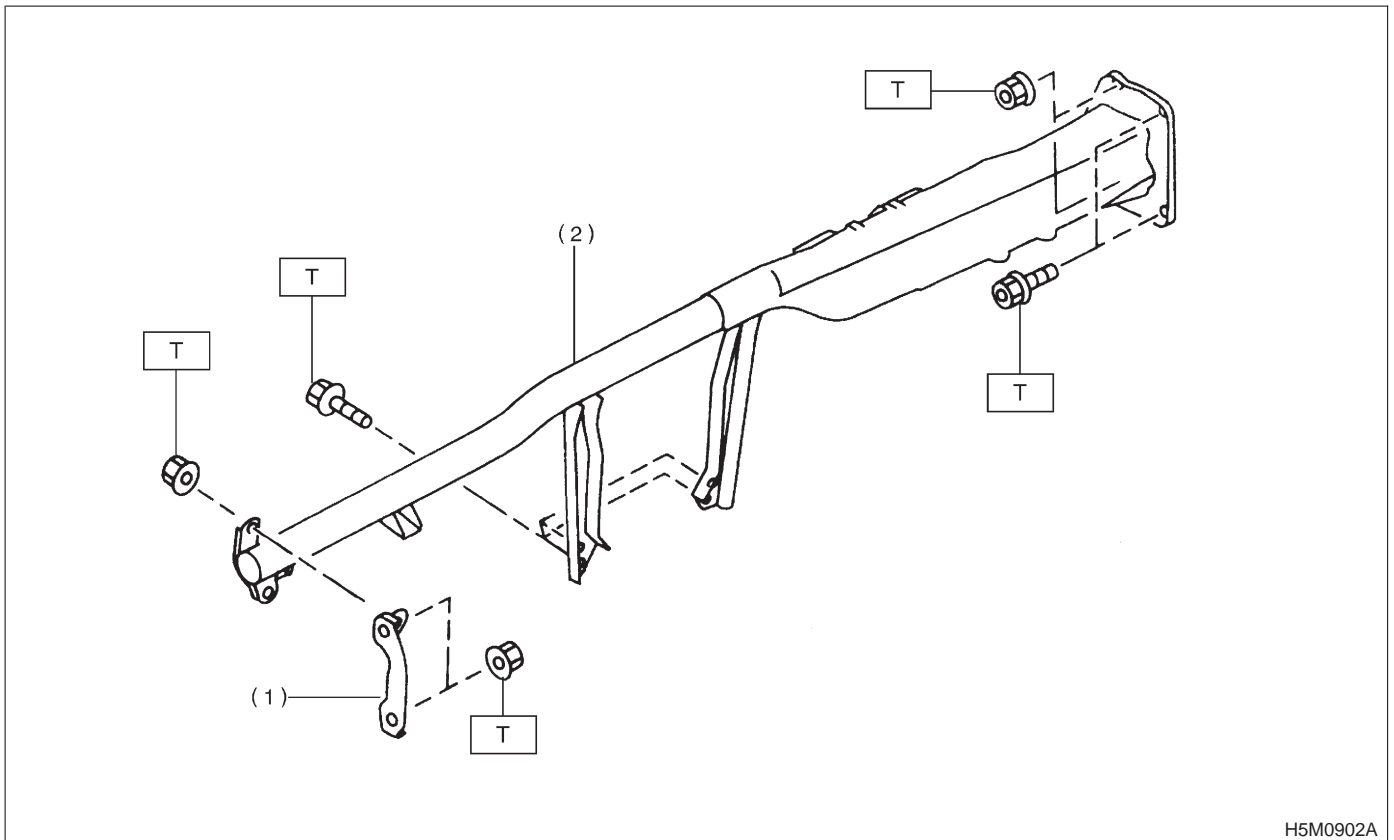


6. Steering Support Beam



H5M0902A

- (1) Bracket
- (2) Steering beam

Tightening torque: N·m (kg·m, ft·lb)
T: 18±5 (1.8±0.5, 13.0±3.6)