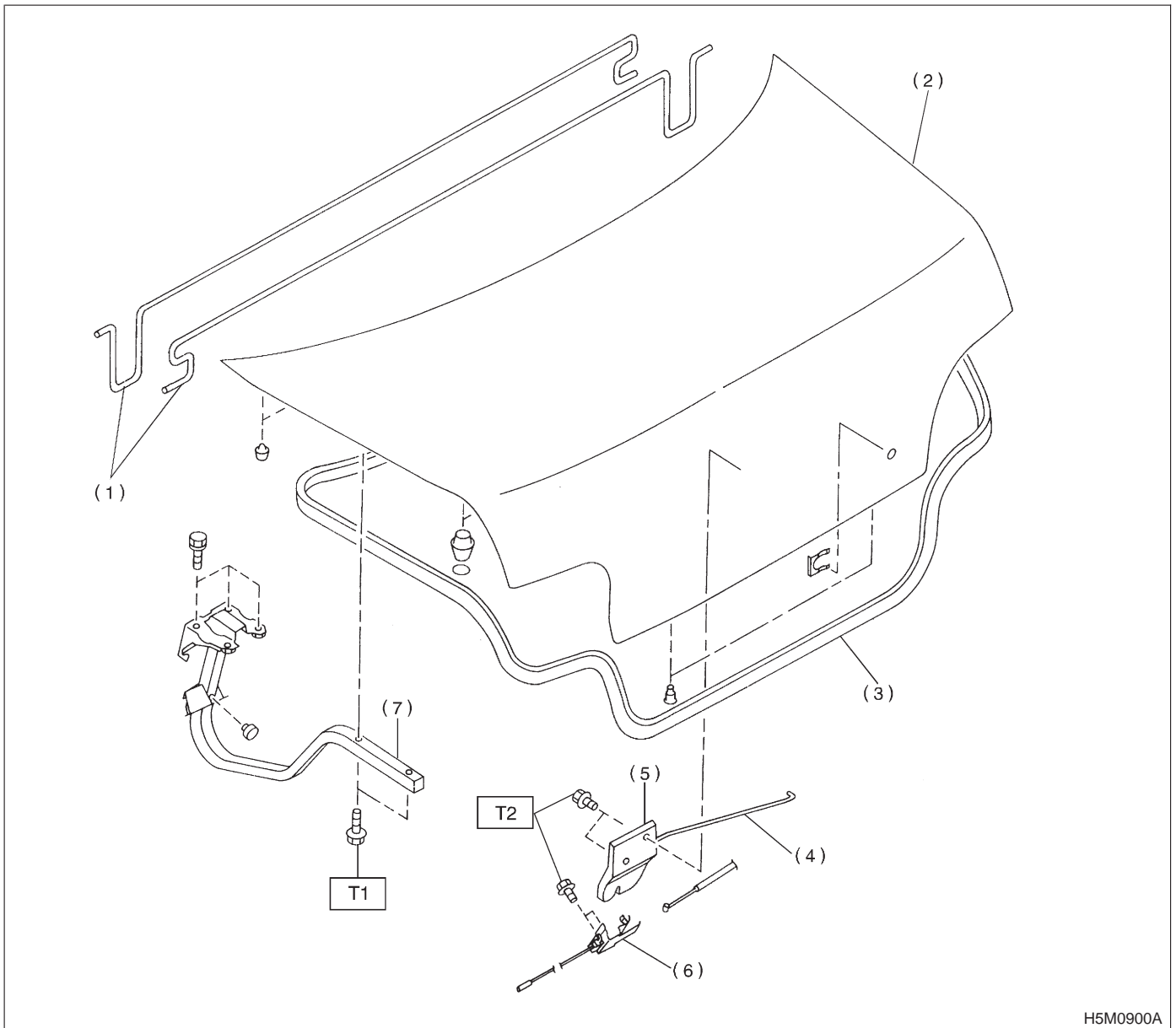


2. Trunk Lid



- (1) Torsion bar
- (2) Trunk lid
- (3) Weatherstrip
- (4) Rod
- (5) Trunk lid lock ASSY
- (6) Striker
- (7) Hinge ASSY

**Tightening torque: N-m (kg-m, ft-lb)**

**T1: 14±4 (1.4±0.4, 10.1±2.9)**

**T2: 18±5 (1.8±0.5, 13.0±3.6)**