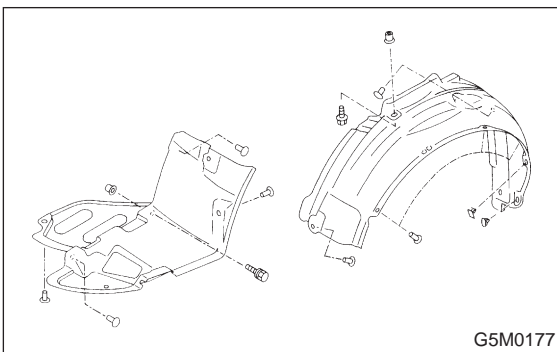


10. Mud Guard and Rear Arch Protector

A: REMOVAL AND INSTALLATION

1. MUD GUARD

- 1) Jack-up vehicle to remove tire.
- 2) Remove screws and clips. Move mud guard toward the center of the body and remove mud guard.



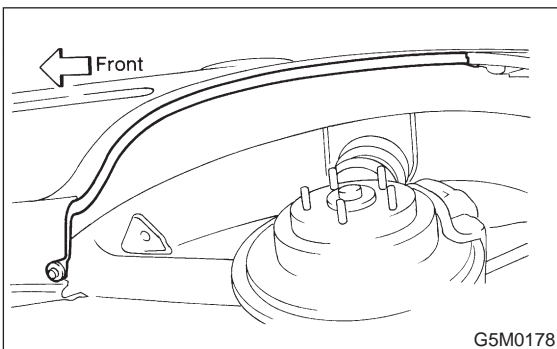
- 3) Installation is in the reverse order of removal.

CAUTION:

Only use new nuts and clips.

2. REAR ARCH PROTECTOR

- 1) Remove clip and screws.



- 2) Remove arch protectors.
- 3) Installation is in the reverse order of removal.

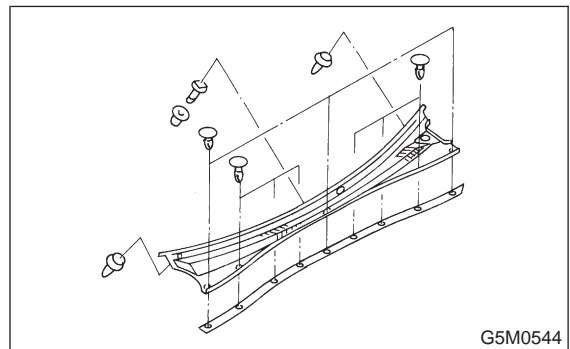
CAUTION:

Only use new nuts and clips.

11. Cowl Panel

A: REMOVAL AND INSTALLATION

- 1) Remove wiper arms.
- 2) Open front hood.
- 3) Pry clip off front hood seal using a screwdriver.
- 4) Lift cowl panel and remove clips from windshield.



- 5) Installation is in the reverse order of removal.

NOTE:

Install middle clip and other clips in that order.

