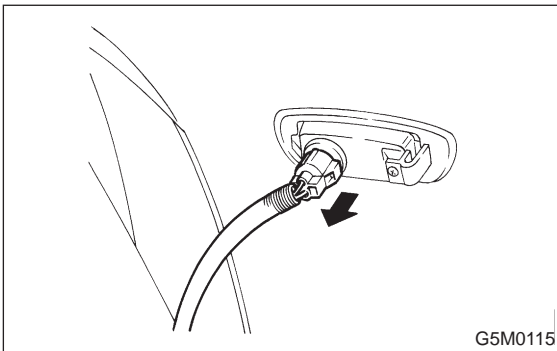
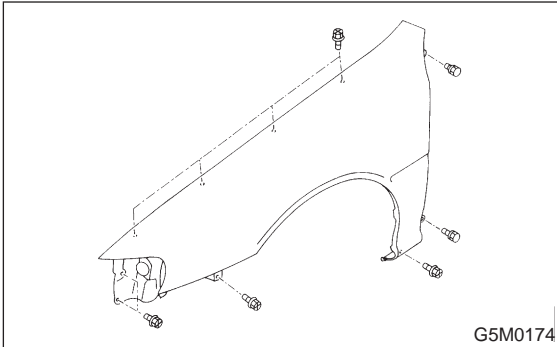


9. Front Fender

A: REMOVAL AND INSTALLATION

- 1) Disconnect ground cable from battery.
- 2) Remove mud guard.
- 3) Remove parking light and headlight.
- 4) Remove front bumper.
- 5) Remove bolts which secure fender to radiator panel and turn signal connector.



- 6) Remove body protector. (This step may be skipped if fender is to be reused.)
- 7) Remove attaching bolt to remove fender.

CAUTION:

Be careful not to scratch body panels with fender edges when removing it.

- 8) Installation is in the reverse order of removal.

NOTE:

Check for alignment of front fender with hood and front door with front fender at all points. Adjust, if necessary.

