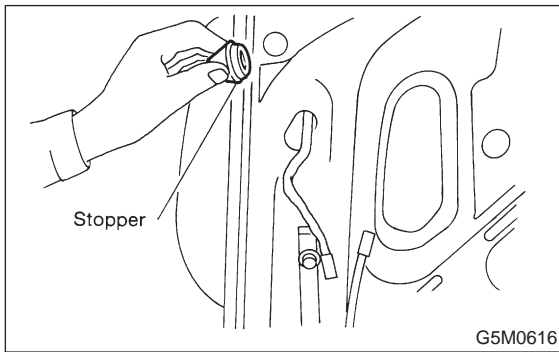


## 15. Rear Spoiler

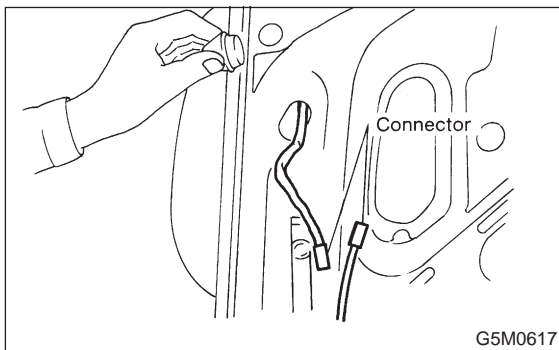
### A: REMOVAL AND INSTALLATION

#### 1. COUPE

- 1) Remove stoppers from both sides of trunk lid.

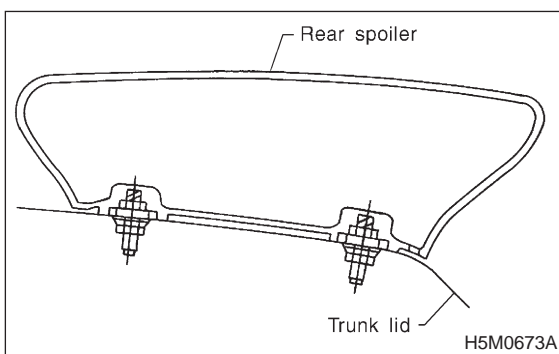


- 2) Disconnect high-mount stop light connector.



- 3) Remove nuts from rear spoiler.

**CAUTION:**  
Be careful not to drop nuts into box section of trunk lid.



- 4) Lift rear spoiler and unfasten clips.
- 5) Remove spoiler from trunk lid.

**CAUTION:**  
Be careful not to damage trunk lid.

- 6) Installation is in the reverse order of removal.

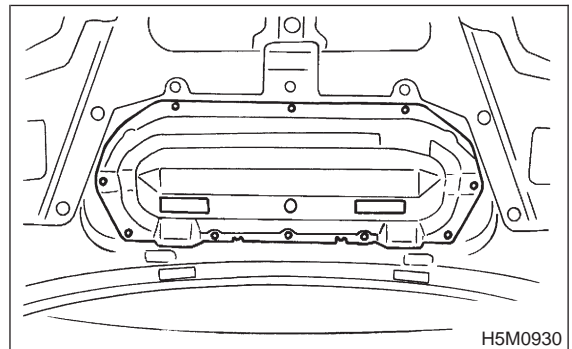
**Tightening torque:**  
 $7.4 \pm 2.0 \text{ N}\cdot\text{m}$  ( $0.75 \pm 0.2 \text{ kg}\cdot\text{m}$ ,  $5.4 \pm 1.4 \text{ ft}\cdot\text{lb}$ )

## 16. Hood Duct

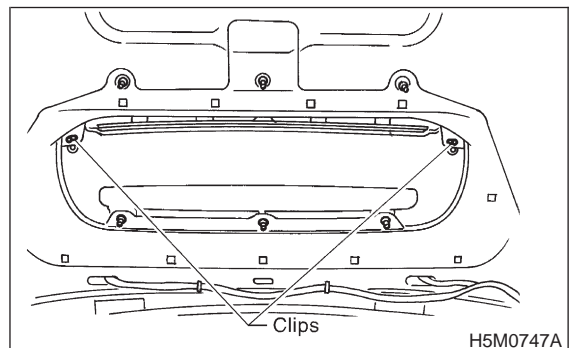
### A: REMOVAL AND INSTALLATION

#### 1. CENTER DUCT

- 1) Open the hood.
- 2) Remove clip and screws, then remove brace cover.



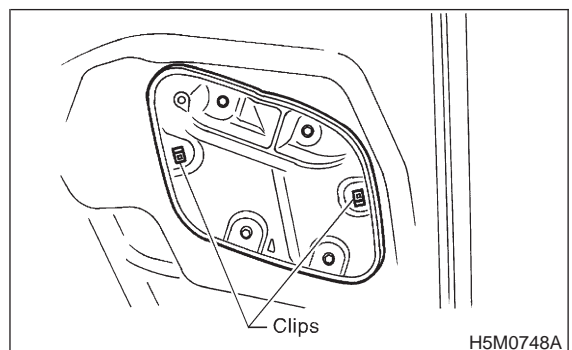
- 3) Remove six nuts.
- 4) Disconnect the two clips from hood, then remove hood duct grille.



- 5) Installation is in the reverse order of removal.

#### 2. SIDE DUCT

- 1) Open the hood.
- 2) Remove four nuts.
- 3) Disconnect the two clips from brace cover, then remove brace cover.



- 4) Remove duct grille.
- 5) Installation is in the reverse order of removal.