

2. Body Datum Points

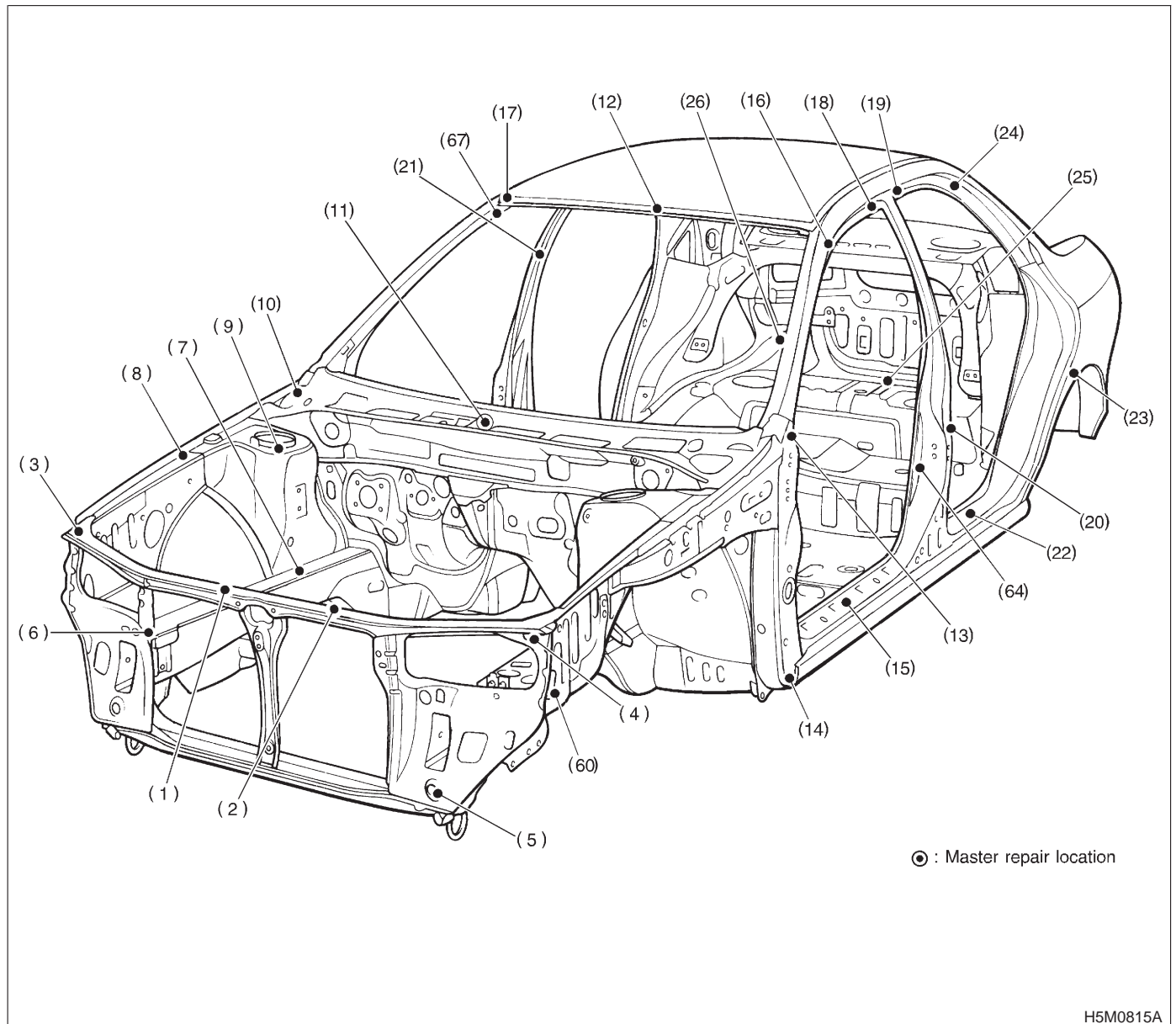
Various master repair locations are established as datum points used during body repairs. In addition, guide holes, locators and indents are provided to facilitate panel replacement and achieve alignment accuracy.

NOTE:

Left and right datum points are all symmetrical to each other.

A: ENGINE COMPARTMENT AND ROOM

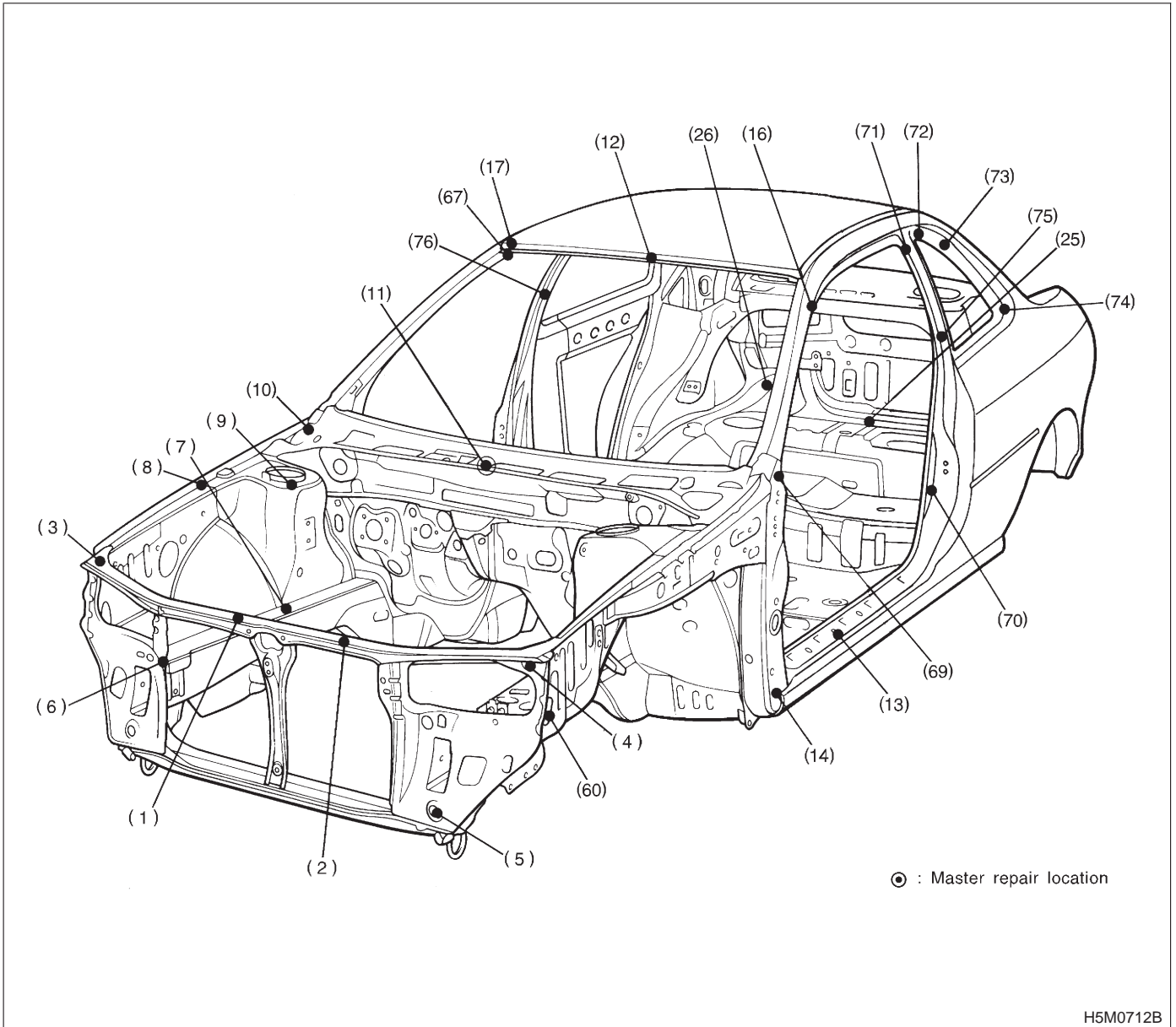
1. SEDAN AND WAGON



2. Body Datum Points

- | | | |
|---|---|--|
| (1) Radiator panel (UPR) repair bolt hole M8 (Right) | (10) Hood hinge attaching bolt hole M8 (Symmetrical) | (20) Center pillar gauge hole 10 mm (0.39 in) dia. (Symmetrical) |
| (2) Radiator panel (UPR) repair bolt hole M8 (Left) | (11) Cowl panel mounting hole 5 mm (0.20 in) dia. (Located in center of vehicle.) | (21) Belt anchor attaching bolt hole (Symmetrical) |
| (3) Fender attaching bolt hole M6 (Symmetrical) | (12) Front rail (Inner) mirror attaching bolt hole 8 mm (0.31 in) dia. | (22) Wax coat hole, 20 mm (0.79 in) dia. (Symmetrical) |
| (4) Headlight attaching bolt hole M6 (Symmetrical) | (13) Fender attaching bolt hole M6 (Symmetrical) | (23) Rear door switch attaching hole 20 mm (0.79 in) dia. (Symmetrical) |
| (5) Radiator panel side gauge hole 24 mm (0.94 in) dia. (Symmetrical) | (14) Front pillar gauge hole 20 mm (0.79 in) dia. (Symmetrical) | (24) Retainer attaching square hole 7 mm (0.28 in) (Symmetrical) |
| (6) Front bumper mounting hole 14 x 17 mm (0.55 x 0.67 in) dia. (Symmetrical) | (15) Wax coat hole, 20 mm (0.79 in) dia. (Symmetrical) | (25) Spare tire attaching bolt hole M8 |
| (7) Front crossmember attaching bolt hole 12.4 mm (0.488 in) dia. (Symmetrical) | (16) Retainer attaching square hole 7 mm (0.28 in) (Symmetrical) | (26) Air draw hole 7 mm (0.28 in) dia. (Symmetrical) |
| (8) Fender attaching bolt hole M6 (Symmetrical) | (17) Sun visor attaching hole 20 mm (0.79 in) dia. (Symmetrical) | (60) Fender attaching bolt hole M6 (Symmetrical) |
| (9) Front strut mounting hole 10 mm (0.39 in) dia. (Symmetrical) | (18) Retainer attaching square hole 7 mm (0.28 in) (Symmetrical) | (64) Door switch attaching hole 20 mm (0.79 in) dia. (Symmetrical) |
| | (19) Retainer attaching square hole 7 mm (0.28 in) (Symmetrical) | (67) Front glass attaching hole Right 6.5 mm (0.256 in) dia. Left 6.5 x 10 mm (0.256 x 0.39 in) dia. |

2. COUPE

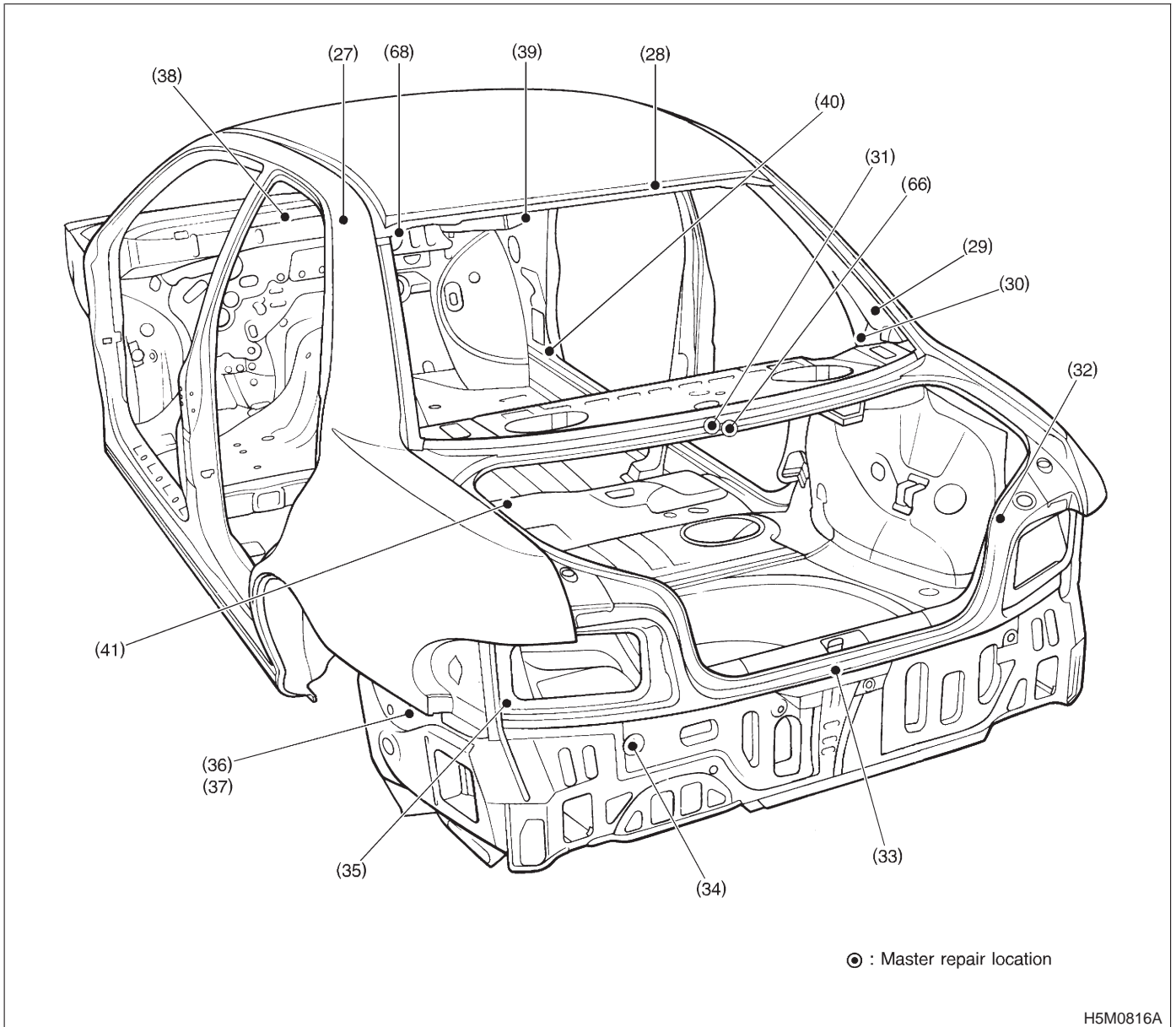


2. Body Datum Points

- | | | |
|---|--|--|
| (1) Radiator panel (UPR) repair bolt hole M8 (Right) | (11) Cowl panel mounting hole 5 mm (0.20 in) dia. (Located in center of vehicle.) | (70) Door switch attaching hole 13.5 mm (0.531 in) dia. (Symmetrical) |
| (2) Radiator panel (UPR) repair bolt hole M8 (Left) | (12) Front rail (Inner) mirror attaching bolt hole 8 mm (0.31 in) dia. | (71) Retainer attaching square hole 8 mm (0.31 in). (Symmetrical) |
| (3) Fender attaching bolt hole M6 (Symmetrical) | (13) Fender attaching bolt hole M6 (Symmetrical) | (72) Rear quarter glass attaching hole 8 mm (0.31 in) dia. (Symmetrical) |
| (4) Headlight attaching bolt hole M6 (Symmetrical) | (14) Front pillar gauge hole 20 mm (0.79 in) dia. (Symmetrical) | (73) Rear quarter glass attaching hole 7 mm (0.28 in) dia. (Symmetrical) |
| (5) Radiator panel side gauge hole 24 mm (0.94 in) dia. (Symmetrical) | (16) Retainer attaching square hole 7 mm (0.28 in) (Symmetrical) | (74) Rear quarter glass attaching hole 8 x 5.5 mm (0.31 x 0.217 in) dia. (Symmetrical) |
| (6) Front bumper mounting hole 14 x 17 mm (0.55 x 0.67 in) dia. (Symmetrical) | (17) Sun visor attaching hole 20 mm (0.79 in) dia. (Symmetrical) | (75) Retainer attaching square hole 8 mm (0.31 in). (Symmetrical) |
| (7) Front crossmember attaching bolt hole 12.4 mm (0.488 in) dia. (Symmetrical) | (25) Spare tire attaching bolt hole M8 | (76) Seat belt anchor attaching bolt hole 16 mm (0.63 in) dia. (Symmetrical) |
| (8) Fender attaching bolt hole M6 (Symmetrical) | (26) Air draw hole 7 mm (0.28 in) dia. (Symmetrical) | |
| (9) Front strut mounting hole 10 mm (0.39 in) dia. (Symmetrical) | (60) Fender attaching bolt hole M6 (Symmetrical) | |
| (10) Hood hinge attaching bolt hole M8 (Symmetrical) | (67) Front glass attaching hole Right 6.5 mm (0.256 in) dia. Left 6.5 x 10 mm (0.256 x 0.39 in) dia. | |
| | (69) Wax coat hole 20 mm (0.79 in) dia. (Symmetrical) | |

B: LUGGAGE COMPARTMENT AND ROOM

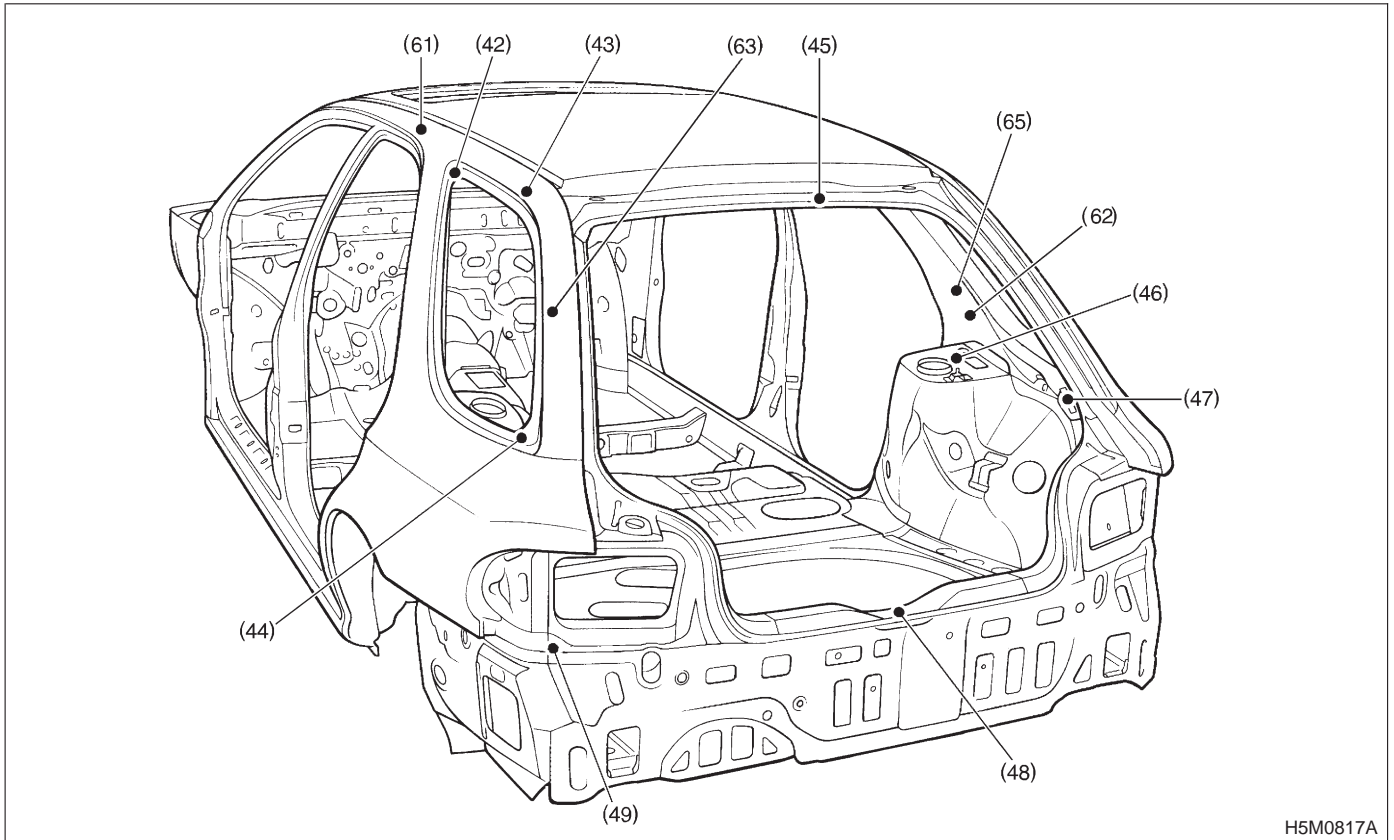
1. SEDAN AND COUPE



2. Body Datum Points

- (27) Rear pillar (Inner) gauge hole 8 mm (0.31 in) dia. (Symmetrical)
- (28) Rear roof trim attaching hole 8 mm (0.31 in) dia. (Symmetrical)
- (29) Rear quarter trim attaching hole 8 mm (0.31 in) dia. (Symmetrical)
- (30) Seat belt anchor attaching bolt hole (Symmetrical)
- (31) Reinforcement (Rear panel rear) repair locator (Located in center of vehicle)
- (32) Rear corner patch at flange (Symmetrical)
- (33) Rear skirt (UPR) cutout (Repair locator)
- (34) Rear skirt gauge hole 20 mm (0.79 in) dia. (Symmetrical)
- (35) Rear combination light mounting hole 9 mm (0.35 in) dia. (Symmetrical)
- (36) Rear quarter bumper side gauge hole 20 mm (0.79 in) dia. (Left)
- (37) Rear quarter bumper side gauge hole 20 mm (0.79 in) dia. (Right)
- (38) Instrument panel attaching square hole 22 x 34.5 mm (0.87 x 1.358 in) (Right)
- (39) Steering support beam attaching bolt hole M8 (Symmetrical)
- (40) Front pillar (Inner) gauge hole 10 mm (0.39 in) dia. (Symmetrical)
- (41) Floor mat attaching clip hole 8 mm (0.31 in) dia. (Symmetrical)
- (66) Rear panel (Center) repair locator (Located in center of vehicle.)
- (68) Rear glass attaching hole (Right): 6.5 mm (0.256 in) dia. (Left): 6.5 x 10 mm (0.256 x 0.39 in) dia.

2. WAGON

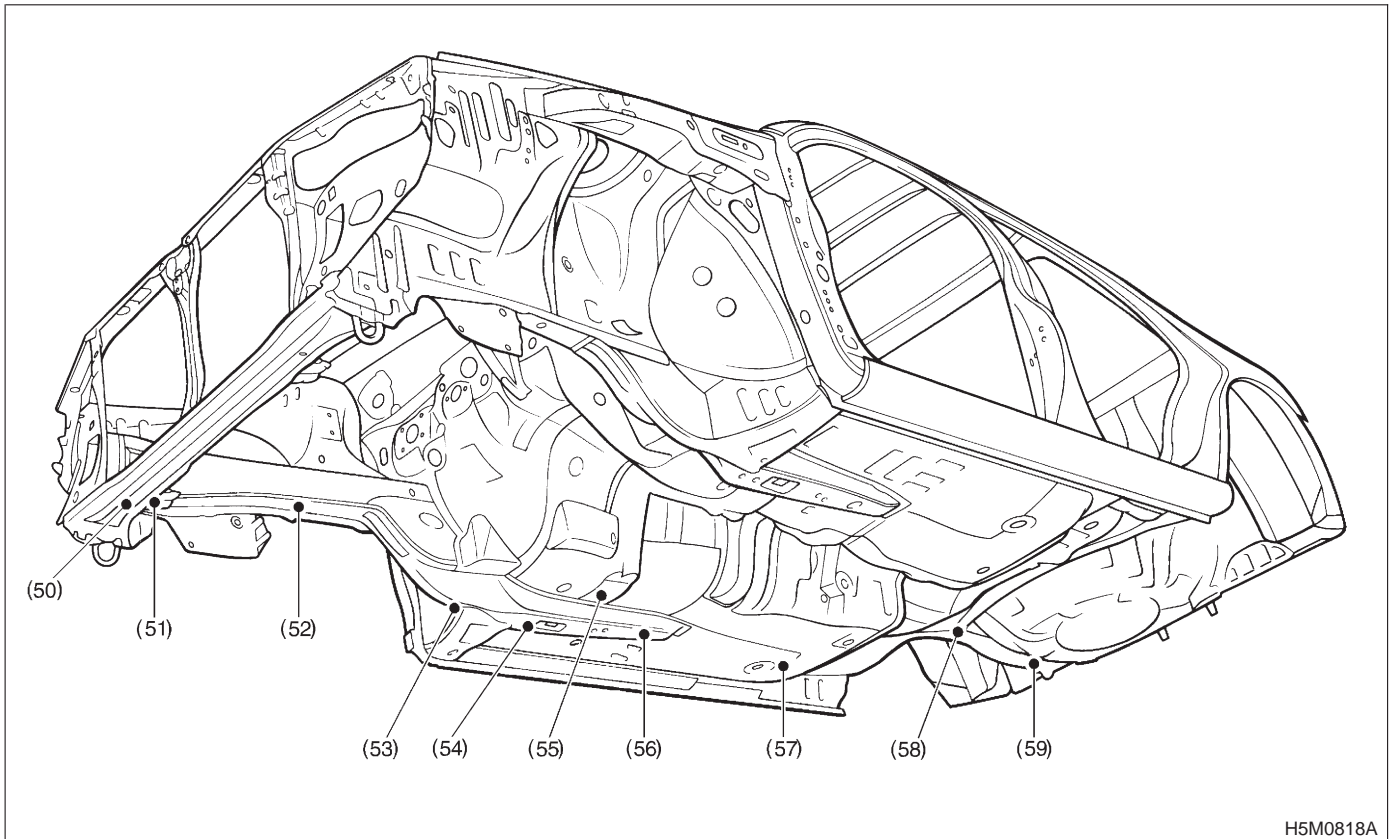


- (42) Rear quarter glass attaching hole 8 mm (0.31 in) dia. (Symmetrical)
- (43) Roof rail attaching hole 10 mm (0.39 in) dia. (Symmetrical)
- (44) Rear quarter glass attaching hole 8 x 15 mm (0.31 x 0.59 in) dia. (Symmetrical)
- (45) Rear roof trim attaching hole 8 mm (0.31 in) dia. (Symmetrical)

- (46) Rear strut mounting hole 10 mm (0.39 in) dia. (Symmetrical)
- (47) Rear gate stay attaching bolt hole M8 (Symmetrical)
- (48) Child seat anchor attaching bolt hole
- (49) Rear combination light mounting hole 10 mm (0.39 in) dia. (Symmetrical)

- (61) Side rail (Inner) gauge hole 8 mm (0.31 in) dia. (Symmetrical)
- (62) Rear quarter trim attaching hole 8 mm (0.31 in) dia. (Symmetrical)
- (63) Rear quarter harness attaching clip hole 7 mm (0.28 in) dia. (Symmetrical)
- (65) Seat belt anchor attaching bolt hole (Symmetrical)

C: UNDER BODY

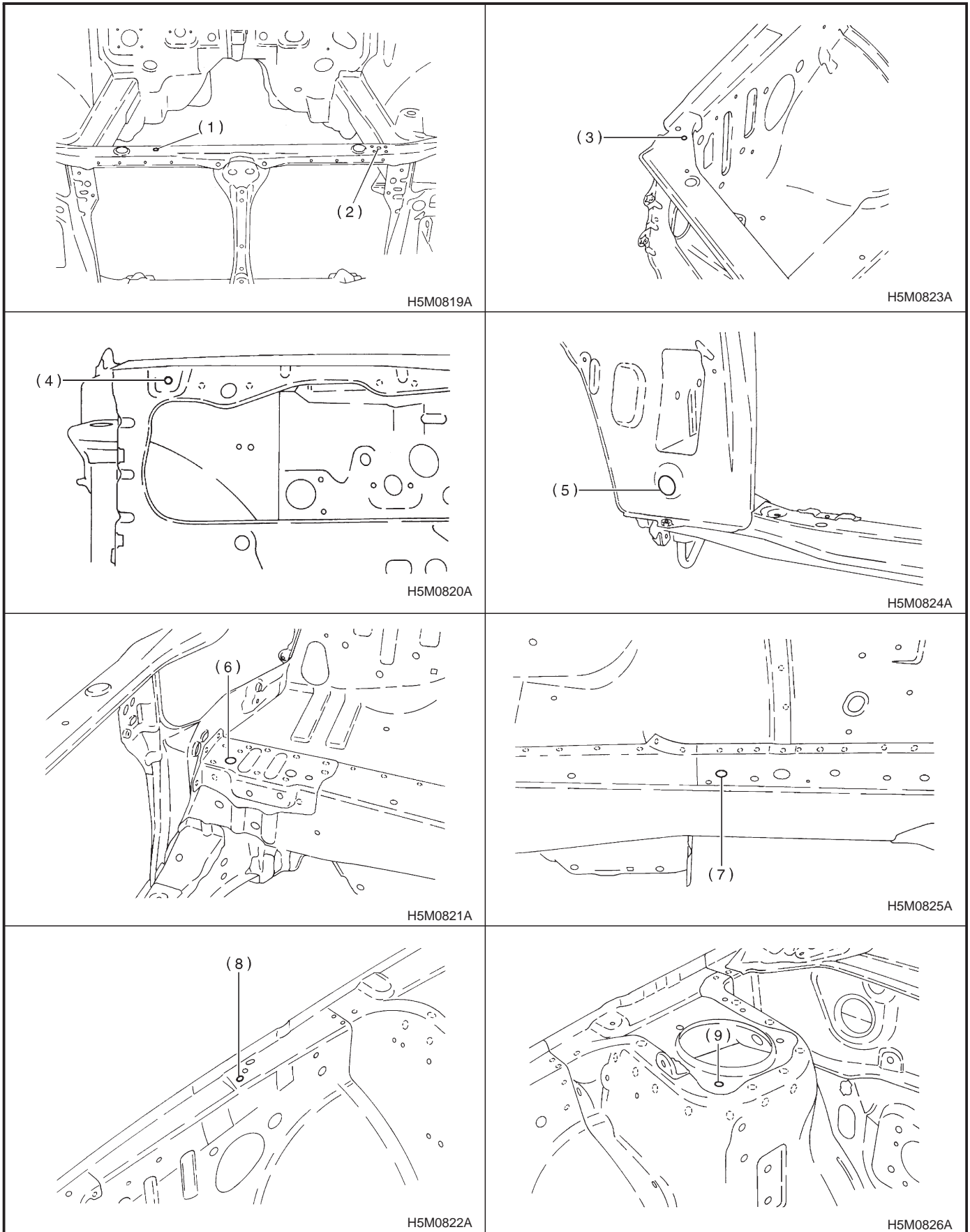


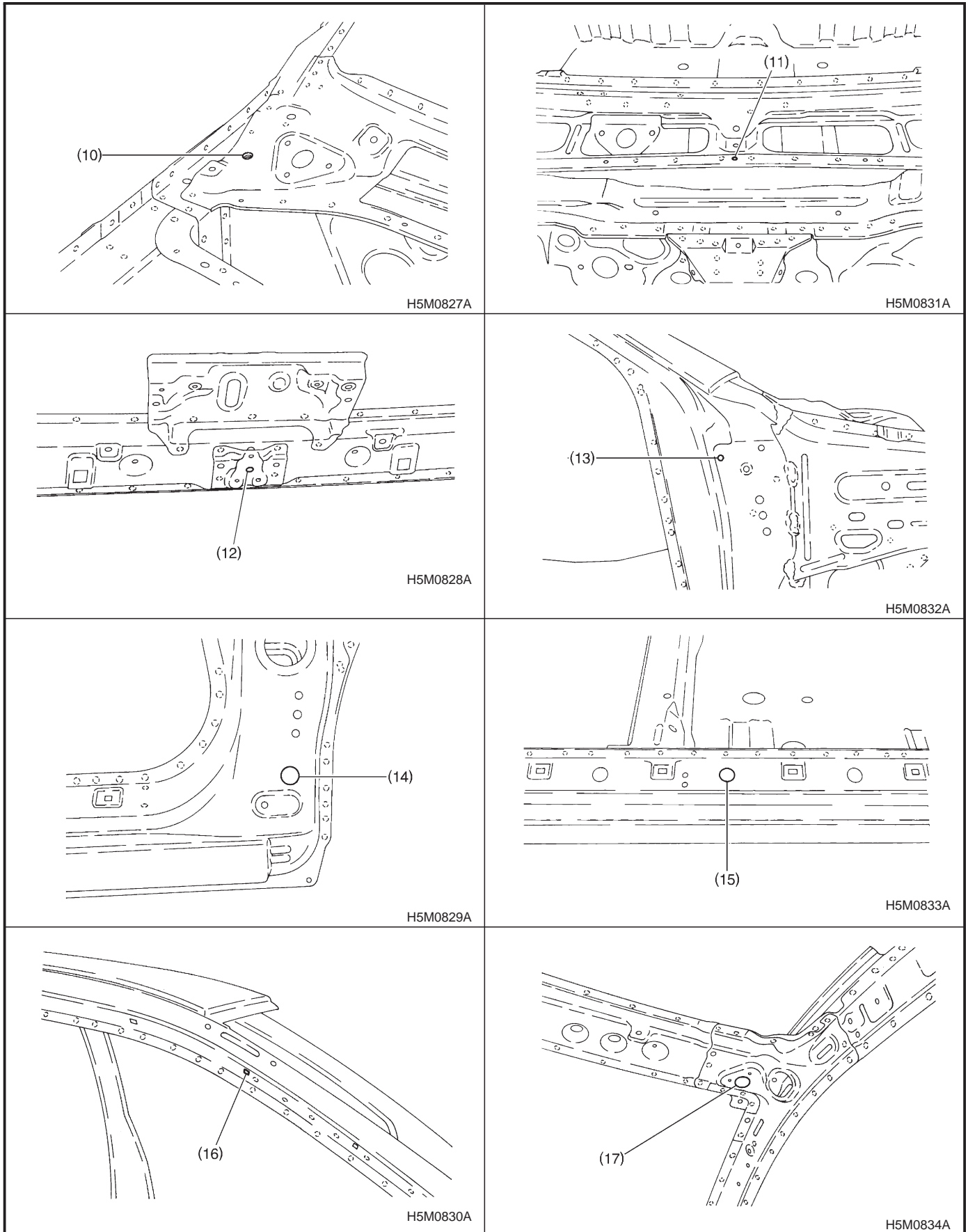
- (50) Radiator panel (LWR) frame gauge hole 15 mm (0.59 in) dia. (Symmetrical)
- (51) Front side frame gauge hole 20 mm (0.79 in) dia. (Symmetrical)
- (52) Front crossmember attaching hole 12.4 mm (0.488 in) dia. (Symmetrical)

- (53) Front suspension attaching bolt hole M14
- (54) Side frame gauge hole 20 mm (0.79 in) dia. (Symmetrical)
- (55) Transmission mount attaching bolt hole M10 (Symmetrical)
- (56) Side frame gauge hole 15 mm (0.59 in) dia. (Symmetrical)

- (57) Rear differential attaching bolt hole M12 (Symmetrical)
- (58) Rear suspension attaching bolt hole M12 (Symmetrical)
- (59) Rear side frame gauge hole 15 mm (0.59 in) dia. (Symmetrical)

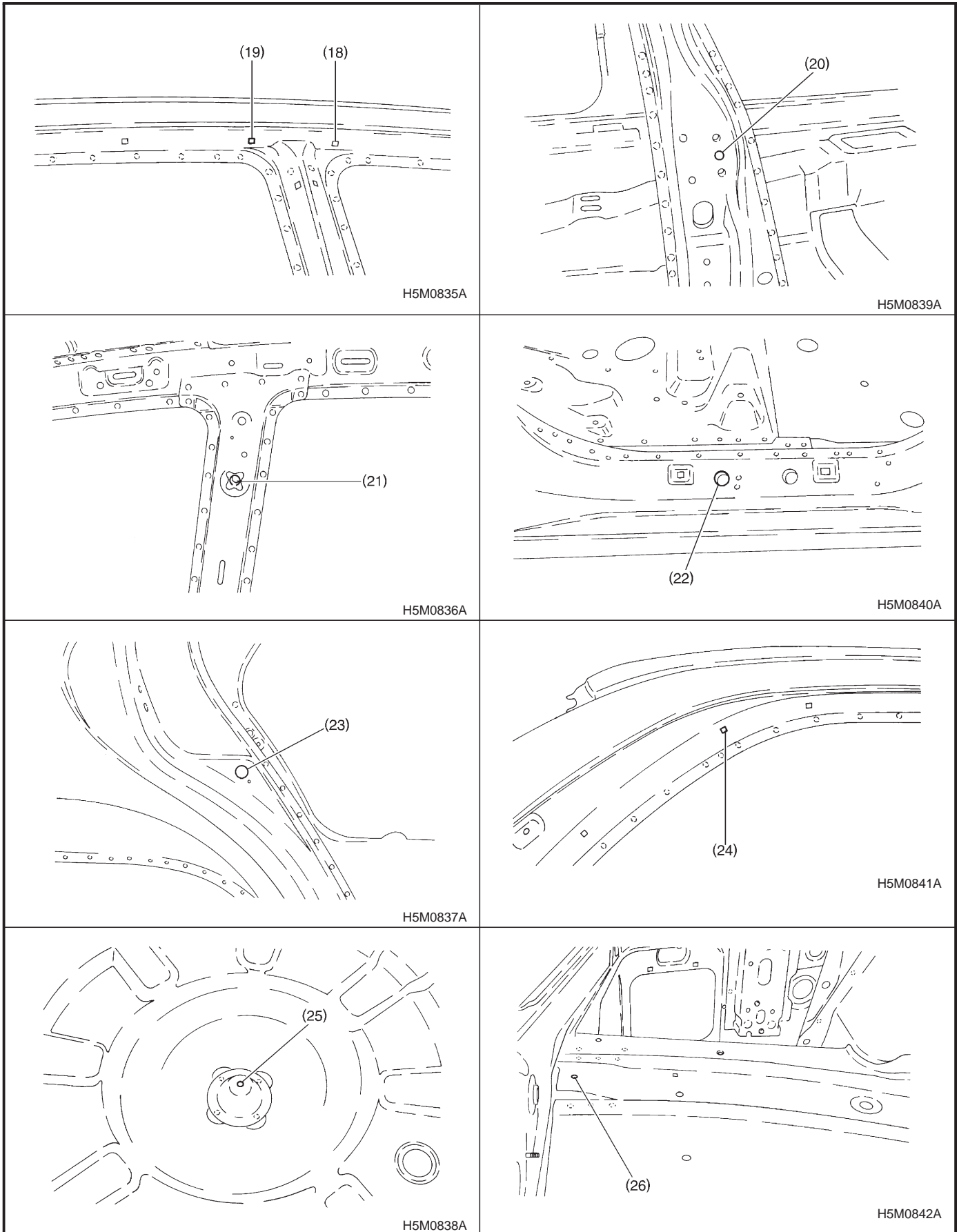
D: DATUM POINT LOCATION





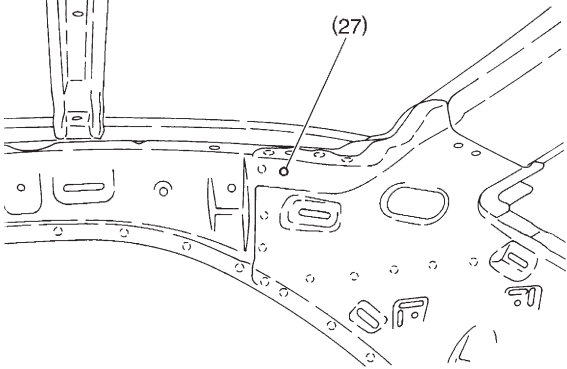
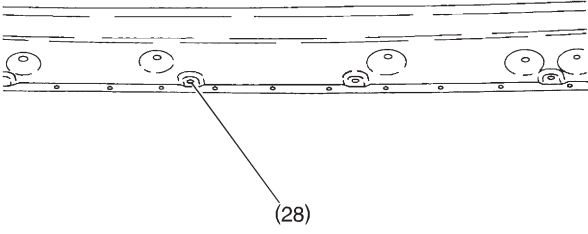
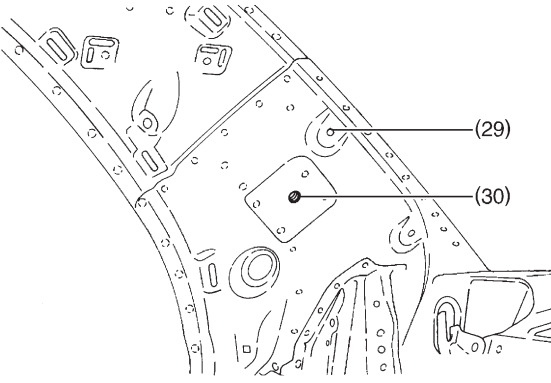
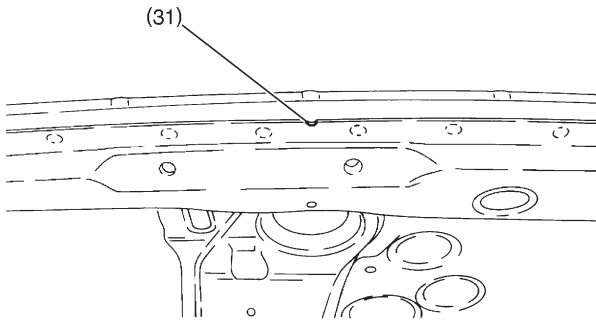
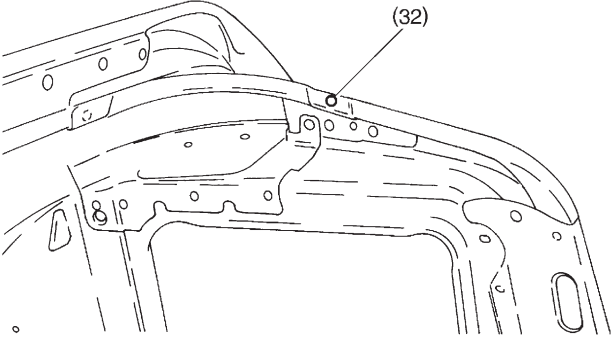
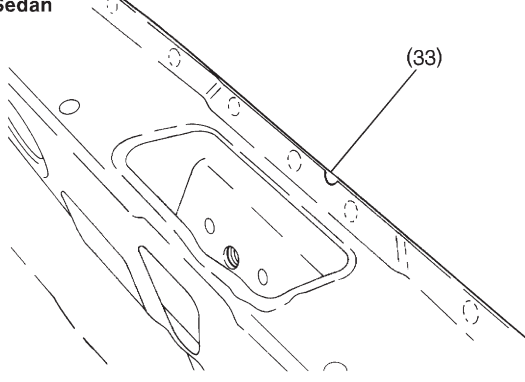
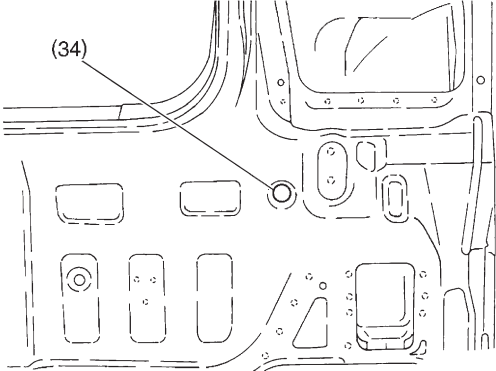
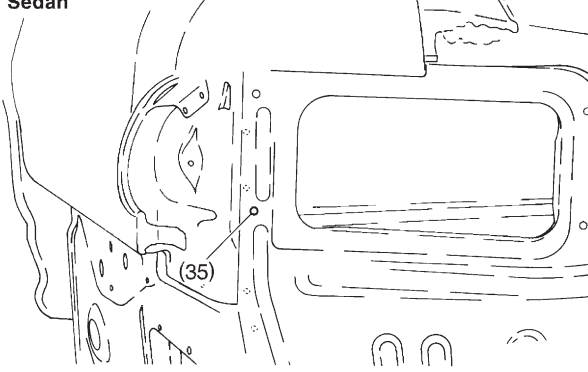
SPECIFICATIONS AND SERVICE DATA

[S2D0] 5-1 2. Body Datum Points



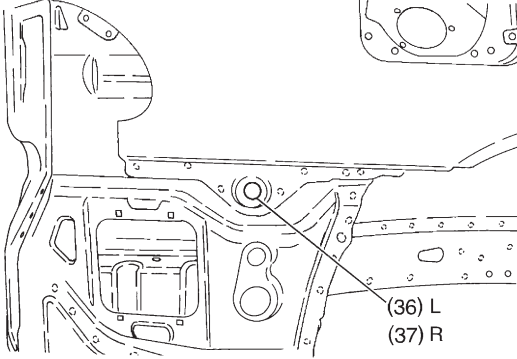
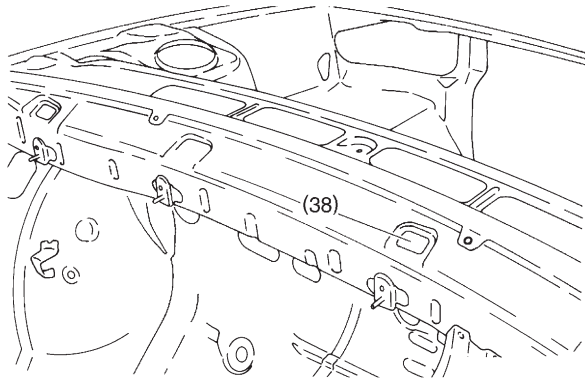
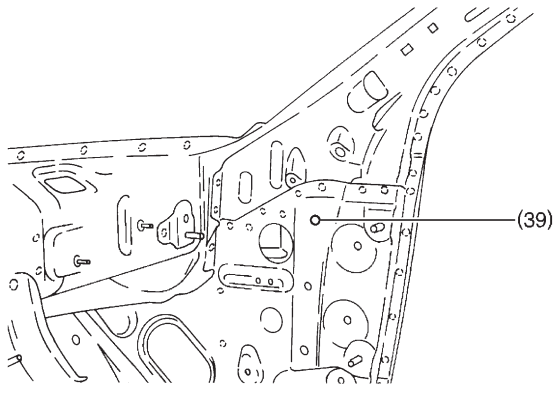
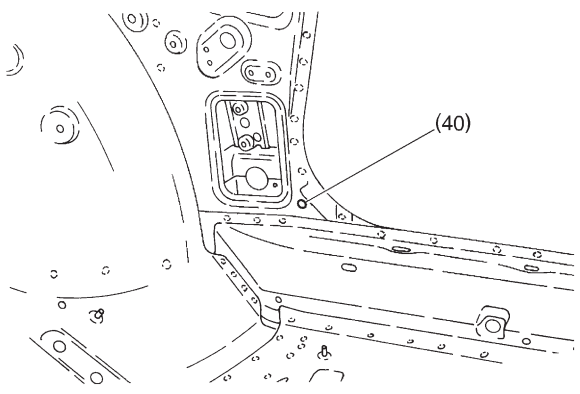
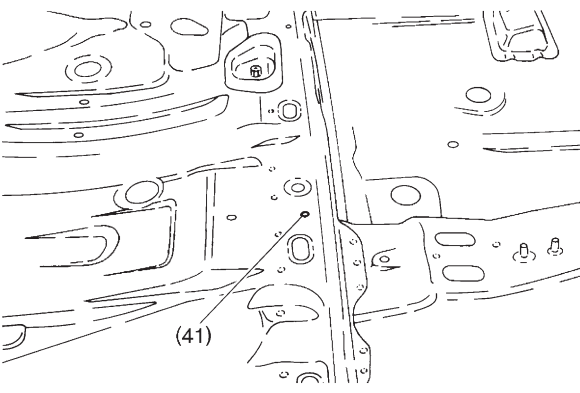
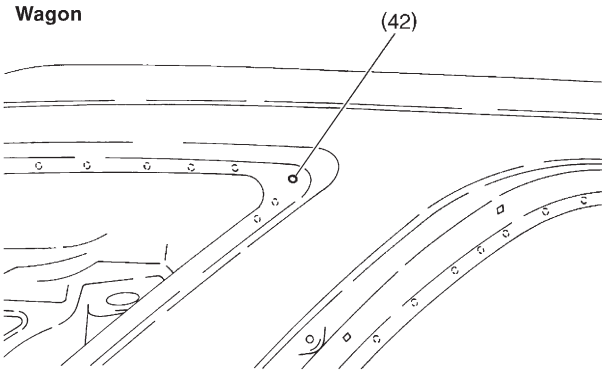
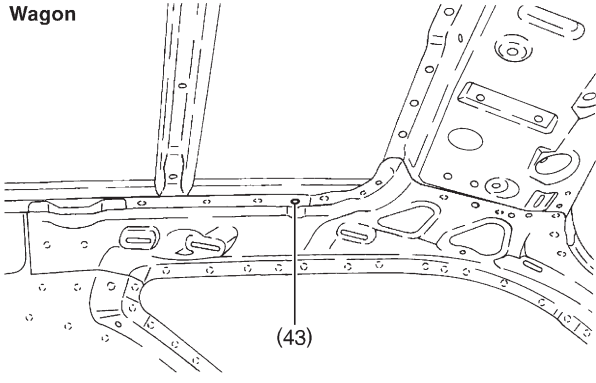
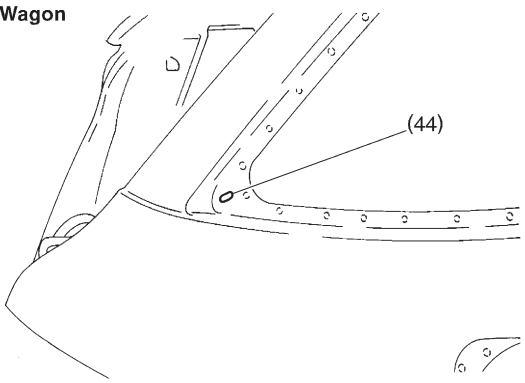
5-1 [S2D0]
2. Body Datum Points

SPECIFICATIONS AND SERVICE DATA

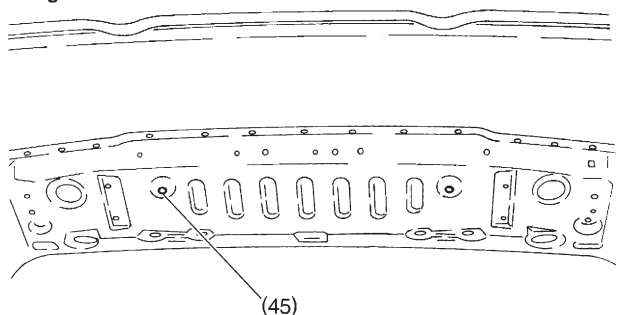
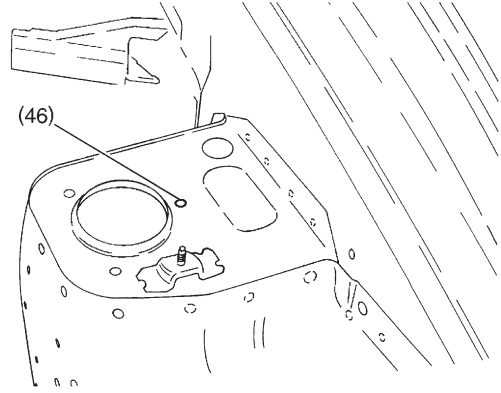
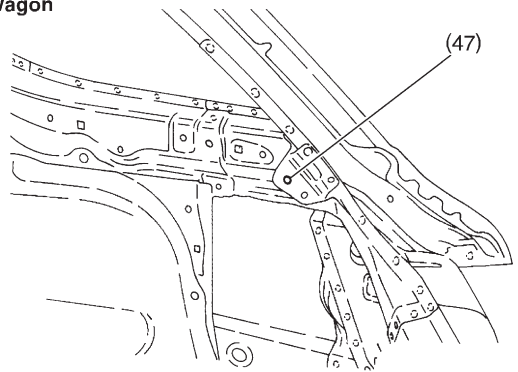
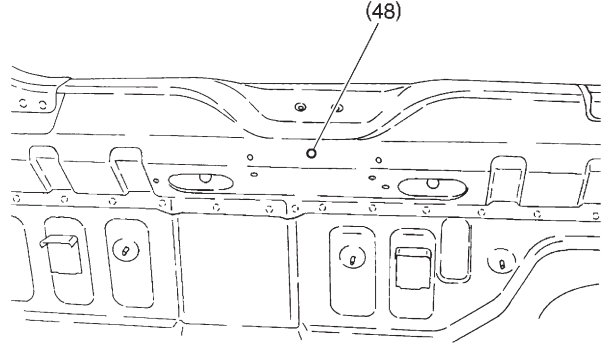
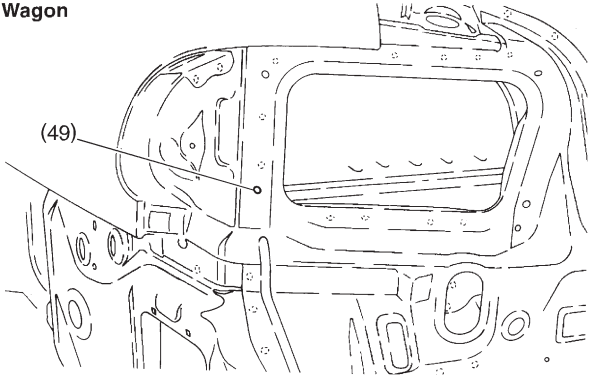
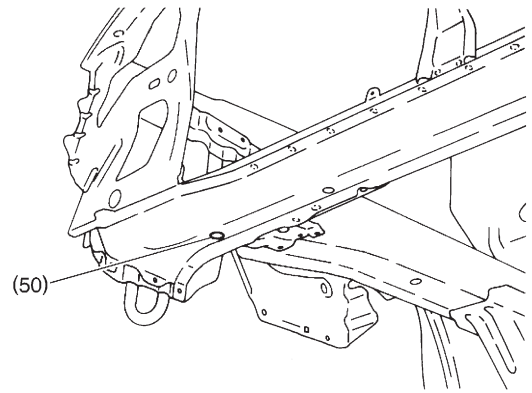
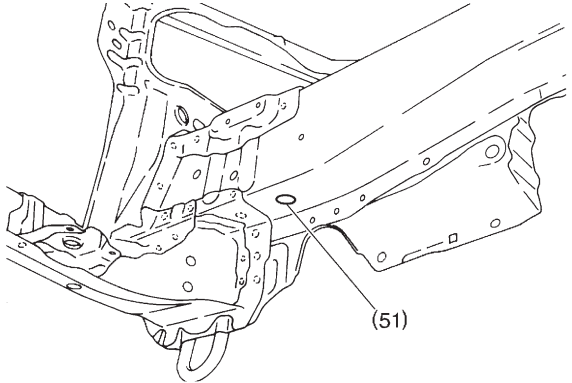
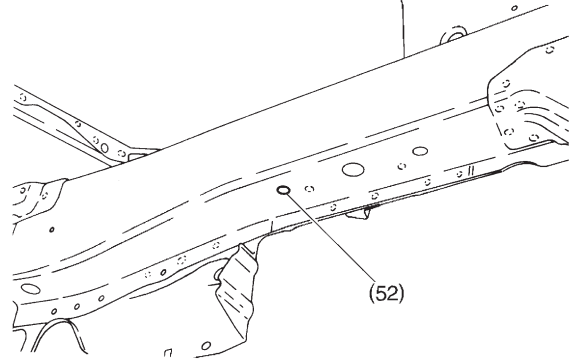
 <p>H5M0843A</p>	<p>Sedan</p>  <p>H5M0847A</p>
 <p>H5M0844A</p>	<p>Sedan</p>  <p>H5M0848A</p>
 <p>H5M0845A</p>	<p>Sedan</p>  <p>H5M0849A</p>
 <p>H5M0846A</p>	<p>Sedan</p>  <p>H5M0850A</p>

SPECIFICATIONS AND SERVICE DATA

[S2D0] 5-1
2. Body Datum Points

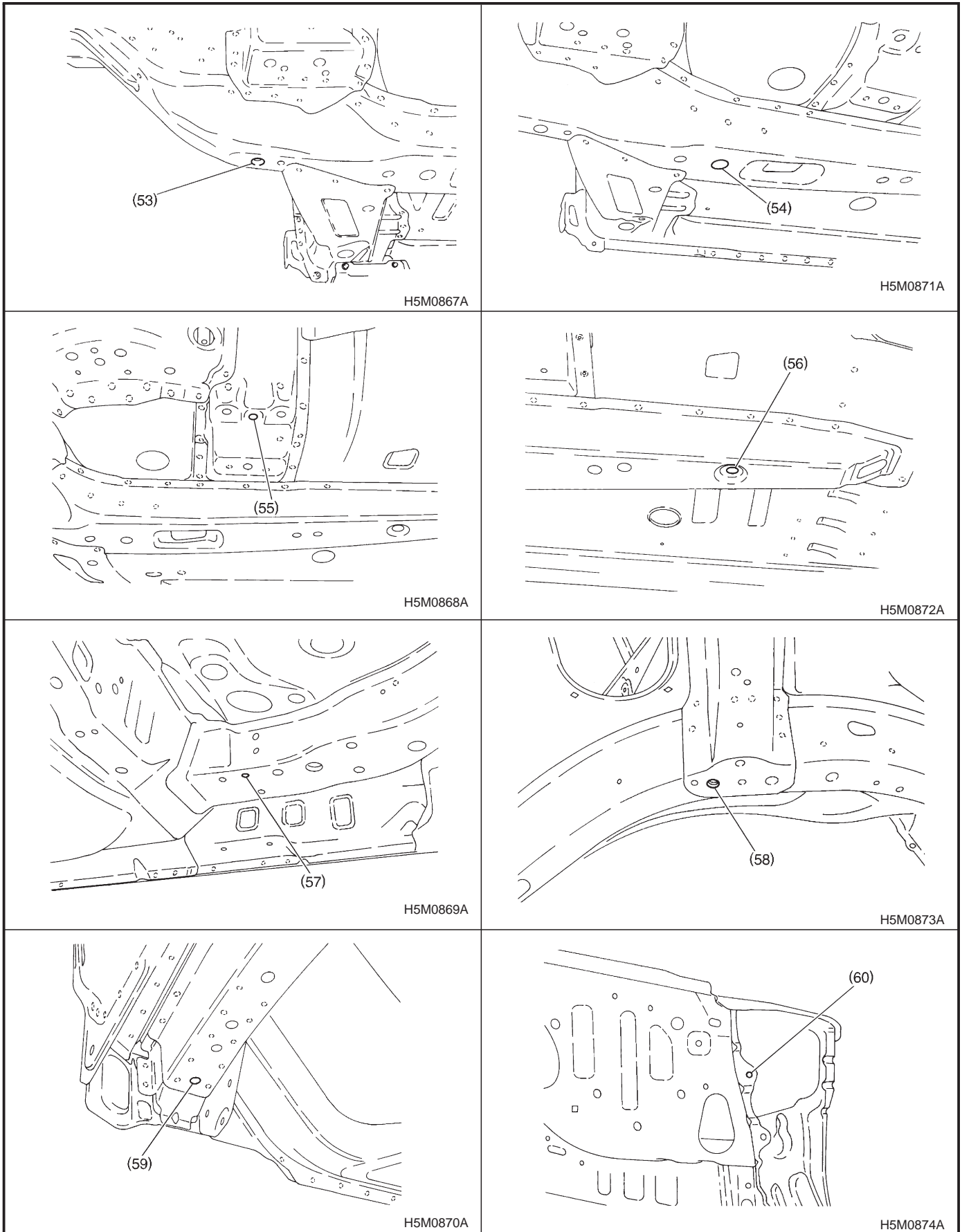
 <p>(36) L (37) R</p> <p>H5M0851A</p>	 <p>(38)</p> <p>H5M0855A</p>
 <p>(39)</p> <p>H5M0852A</p>	 <p>(40)</p> <p>H5M0856A</p>
 <p>(41)</p> <p>H5M0853A</p>	<p>Wagon</p>  <p>(42)</p> <p>H5M0857A</p>
<p>Wagon</p>  <p>(43)</p> <p>H5M0854A</p>	<p>Wagon</p>  <p>(44)</p> <p>H5M0858A</p>

2. Body Datum Points

<p>Wagon</p>  <p>(45)</p> <p>H5M0859A</p>	 <p>(46)</p> <p>H5M0863A</p>
<p>Wagon</p>  <p>(47)</p> <p>H5M0860A</p>	<p>Wagon</p>  <p>(48)</p> <p>H5M0864A</p>
<p>Wagon</p>  <p>(49)</p> <p>H5M0861A</p>	 <p>(50)</p> <p>H5M0865A</p>
 <p>(51)</p> <p>H5M0862A</p>	 <p>(52)</p> <p>H5M0866A</p>

SPECIFICATIONS AND SERVICE DATA

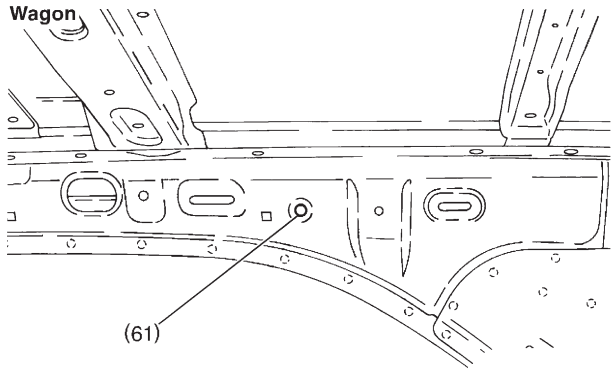
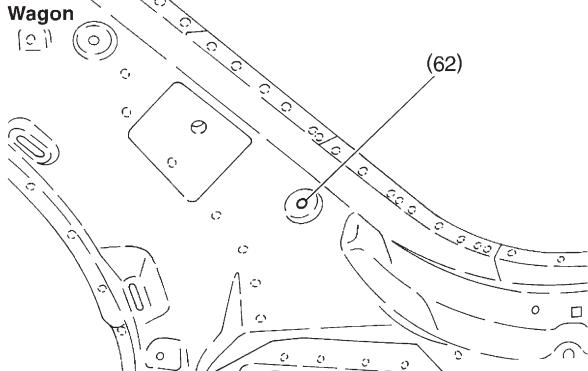
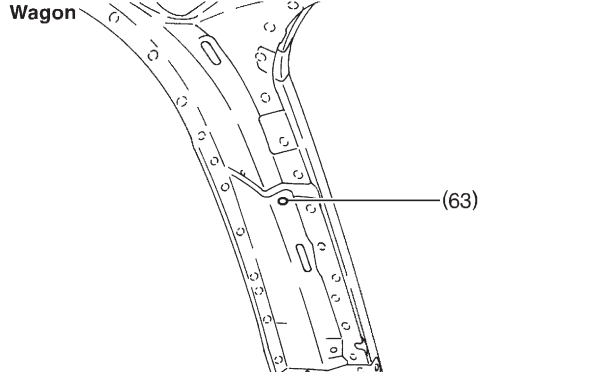
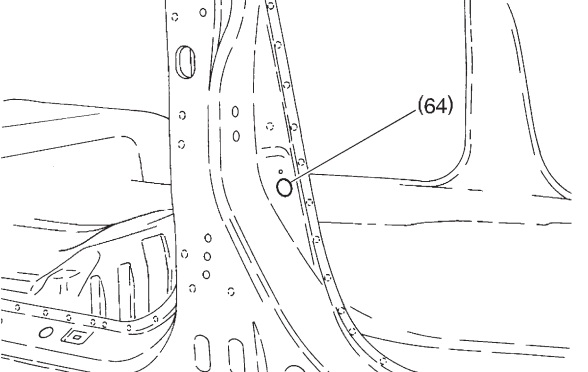
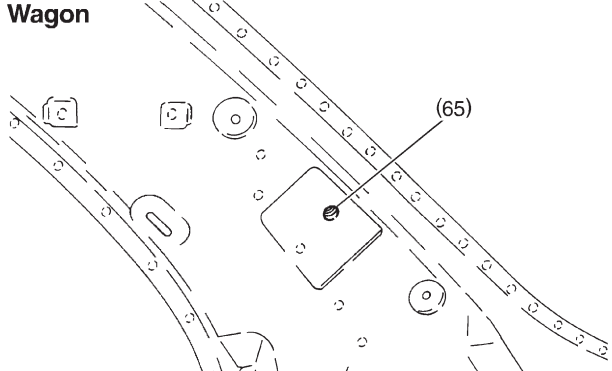
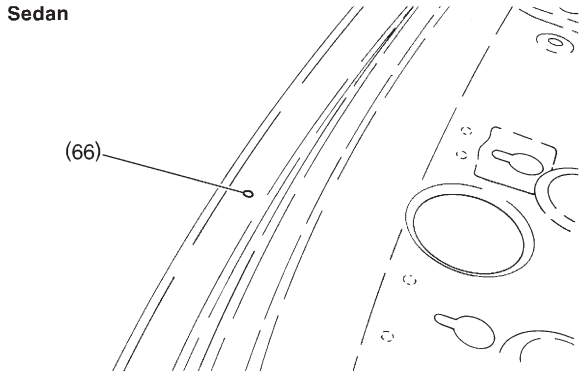
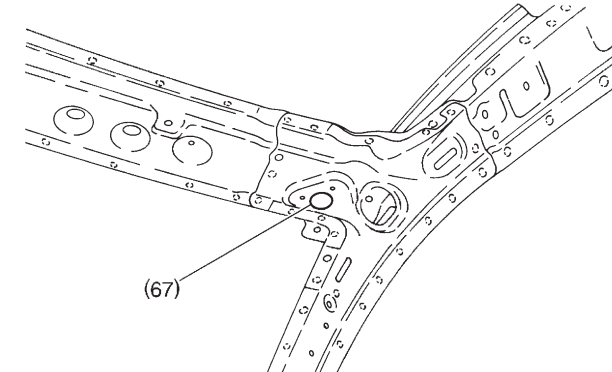
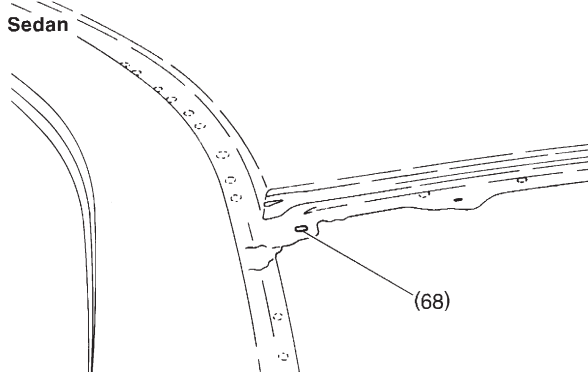
[S2D0] 5-1 2. Body Datum Points



5-1 [S2D0]

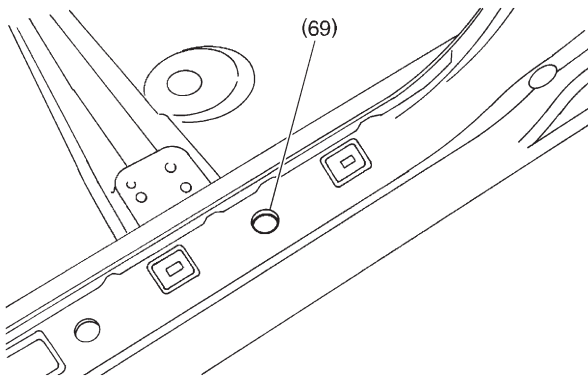
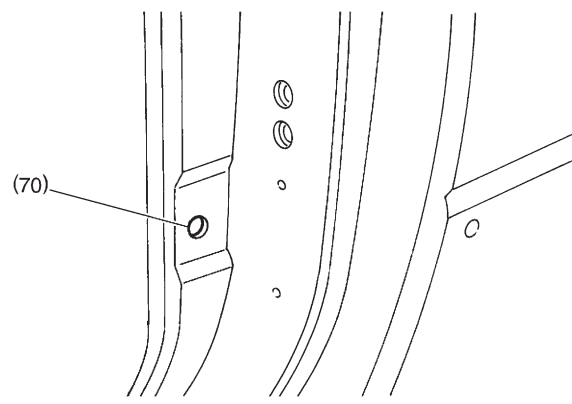
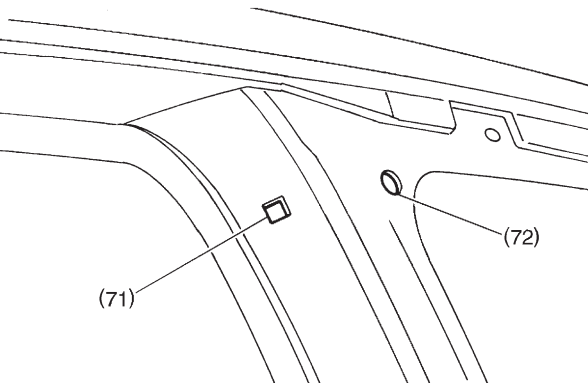
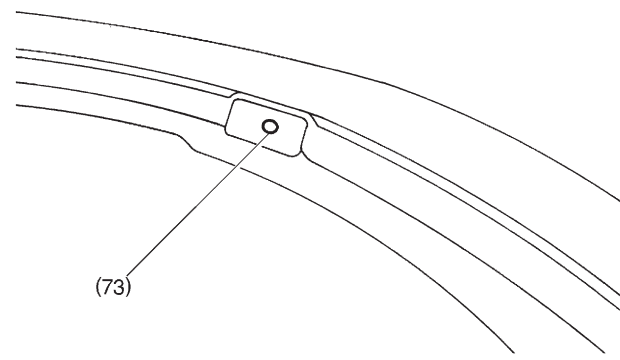
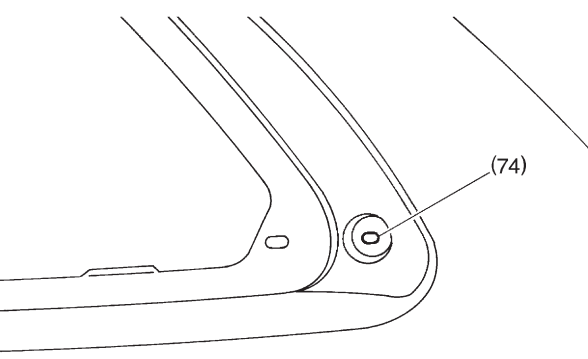
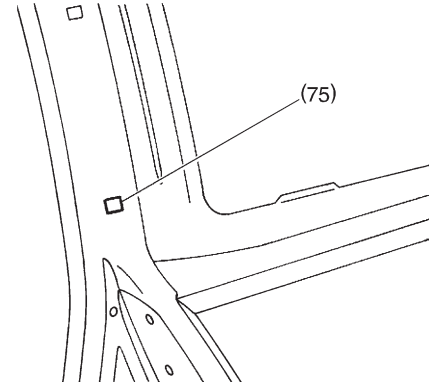
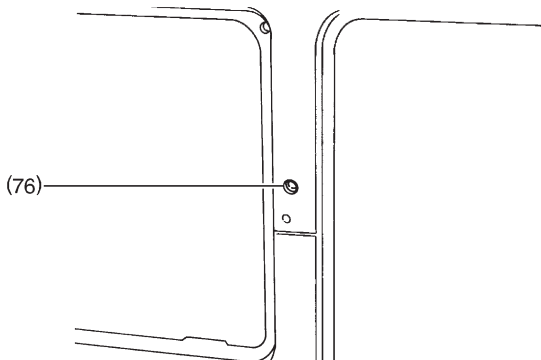
2. Body Datum Points

SPECIFICATIONS AND SERVICE DATA

<p>Wagon</p>  <p>(61)</p> <p>H5M0875A</p>	<p>Wagon</p>  <p>(62)</p> <p>H5M0879A</p>
<p>Wagon</p>  <p>(63)</p> <p>H5M0876A</p>	<p>Wagon</p>  <p>(64)</p> <p>H5M0880A</p>
<p>Wagon</p>  <p>(65)</p> <p>H5M0670B</p>	<p>Sedan</p>  <p>(66)</p> <p>H5M0881A</p>
 <p>(67)</p> <p>H5M0878A</p>	<p>Sedan</p>  <p>(68)</p> <p>H5M0882A</p>

SPECIFICATIONS AND SERVICE DATA

[S2D0] 5-1
2. Body Datum Points

 <p>(69)</p> <p>H5M0883A</p>	 <p>(70)</p> <p>H5M0887A</p>
 <p>(71)</p> <p>(72)</p> <p>H5M0884A</p>	 <p>(73)</p> <p>H5M0888A</p>
 <p>(74)</p> <p>H5M0885A</p>	 <p>(75)</p> <p>H5M0889A</p>
 <p>(76)</p> <p>H5M0886A</p>	<p style="text-align: center;">SUBARU</p>