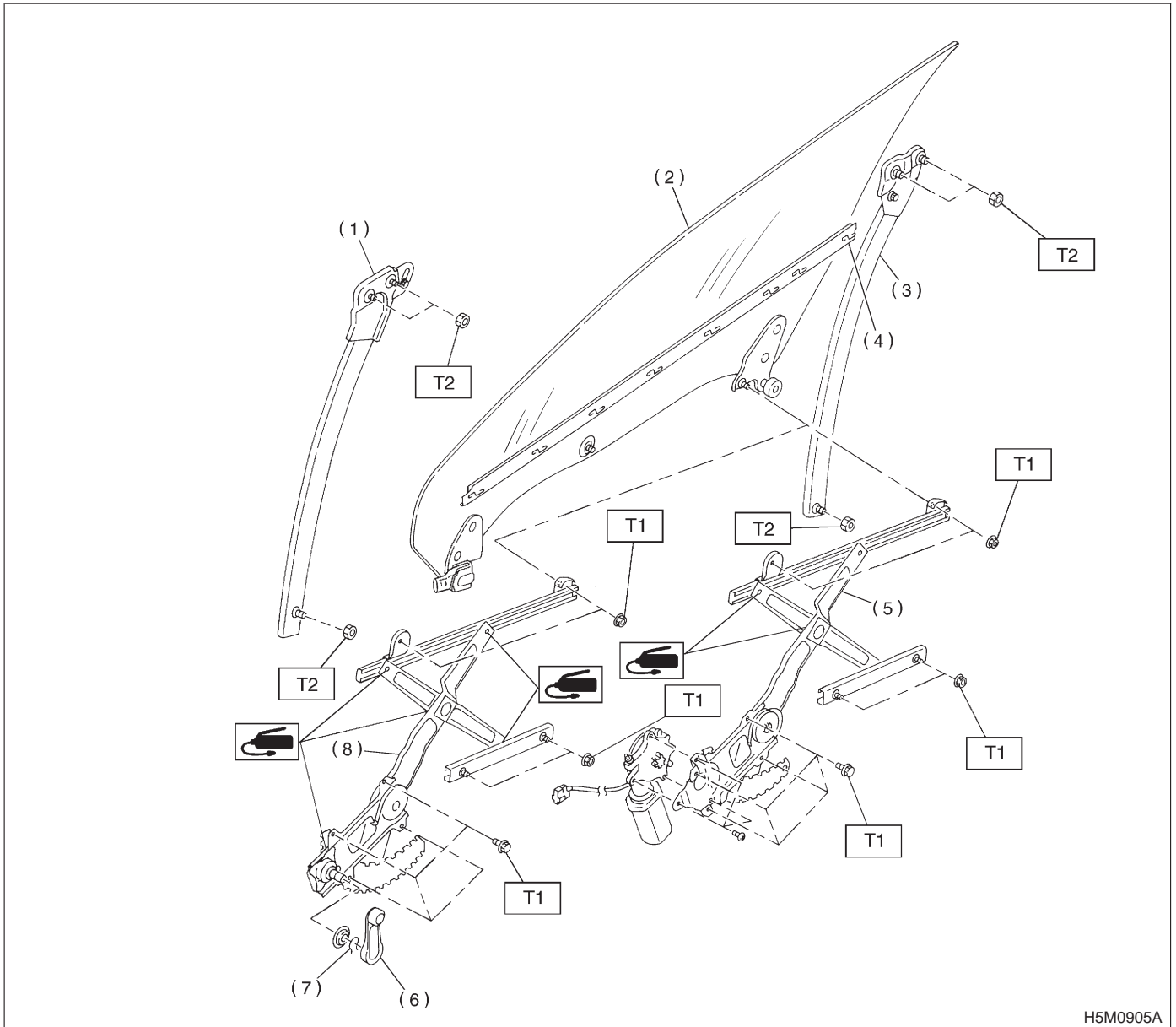


4. Front Door Glass



- | | |
|------------------------------|---|
| (1) Door sash (Front) | (6) Regulator handle
(Except power window) |
| (2) Glass | (7) Retainer spring |
| (3) Door sash (Rear) | (8) Regulator ASSY |
| (4) Weatherstrip (Inner) | |
| (5) Regulator and motor ASSY | |

Tightening torque: N-m (kg-m, ft-lb)
T1: 7.4±2.0 (0.75±0.2, 5.4±1.4)
T2: 14±4 (1.4±0.4, 10.1±2.9)