

**CAUTION:**

- Move vehicle very gently.
- Do not squirt strong hose stream on vehicle.

11) Spontaneous drying:

After completing all operations, leave vehicle alone for 24 hours.

**CAUTION:**

When delivering vehicle to user, tell him that vehicle should not be subjected to heavy shocks for at least three days.

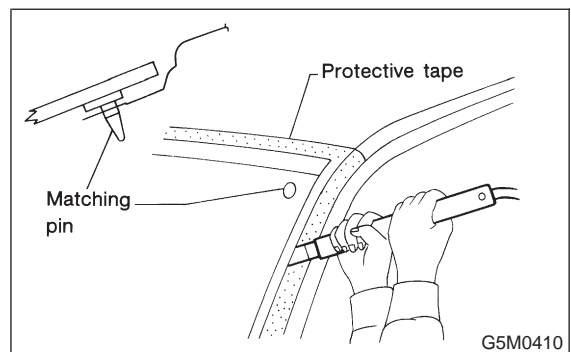
12) Install cowl panel and wiper arm.

## 6. Rear Window Glass

### A: REMOVAL

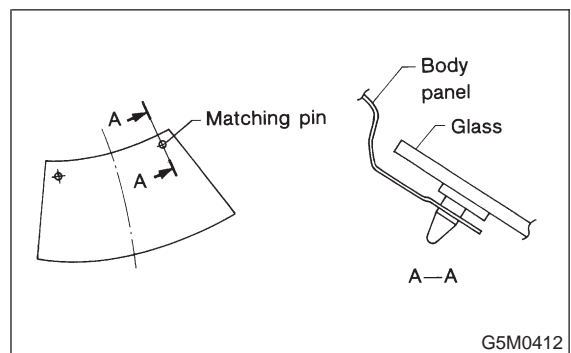
#### 1. SEDAN AND COUPE MODEL

- 1) Remove roof molding.
- 2) Remove rear window molding upper and lower.
- 3) Disconnect connector from rear defogger terminal.
- 4) Remove glass in same manner as in windshield.



**NOTE:**

A matching pin is cemented to the corners of glass on compartment side. Use a piano wire when cutting each pin.



#### 2. WAGON MODEL

**NOTE:**

It is impossible to remove the molding from the glass. If molding is broken, replace rear glass.

- 1) Remove rear wiper and rear gate trim.
- 2) Disconnect connector from rear defogger terminal.
- 3) Remove high mount stop light.
- 4) Remove glass in same manner as for windshield.

**CAUTION:**

Be careful not to damage molding re-installing the old rear window glass using a piano wire.

## 5-2 [W6B1]

### 6. Rear Window Glass

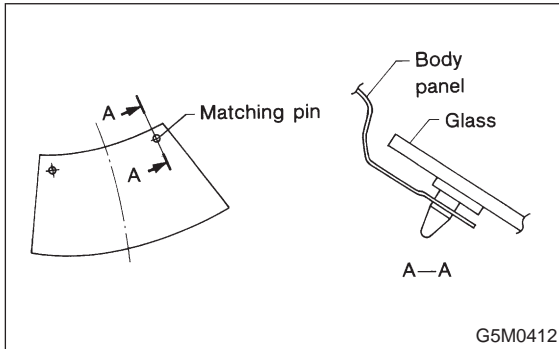
## SERVICE PROCEDURE

#### NOTE:

A matching pin is cemented to corners of glass on compartment side. Use a piano wire when cutting each pin.

3) After installation, test for water leakage after about one hour, and leave vehicle alone for 24 hours.

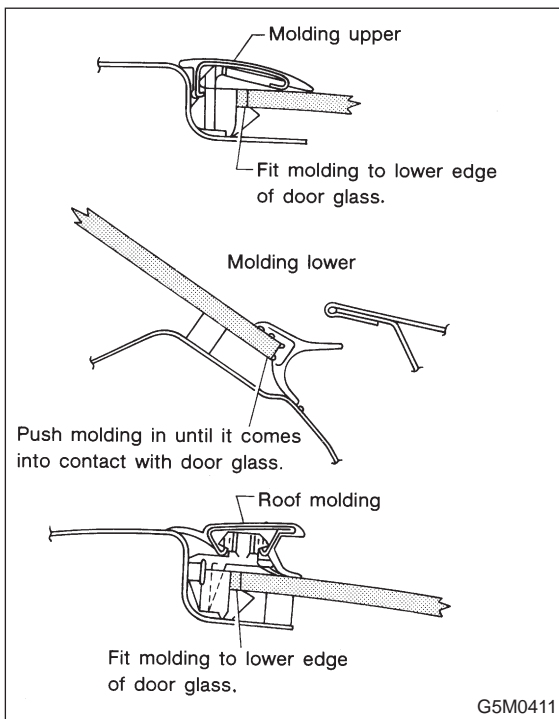
4) Make rear defogger connections.



## B: INSTALLATION

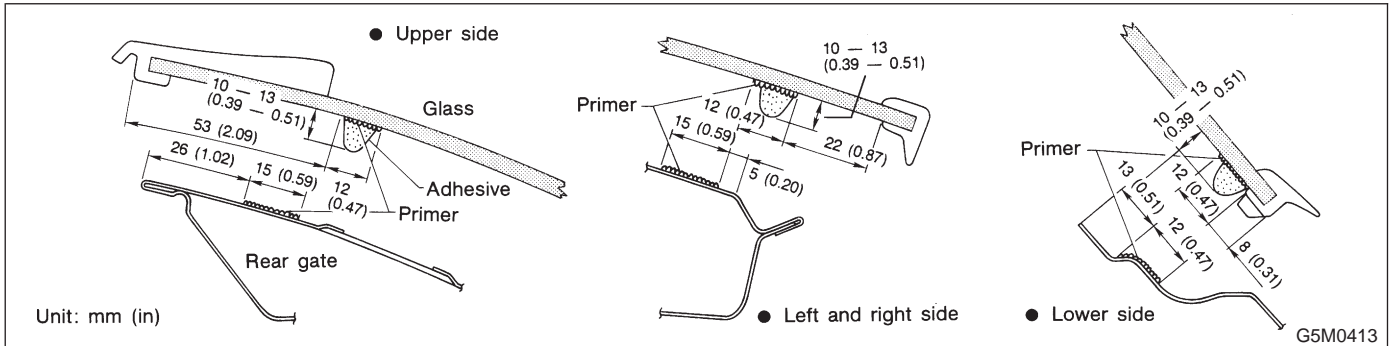
### 1. SEDAN AND COUPE MODEL

- 1) Install glass in same manner as in windshield.
- 2) Firstly, press-fit molding upper, then lower and lastly, roof molding.



## 2. WAGON MODEL

- 1) Install rear gate trim.
- 2) Install glass in same manner as windshield.



- 3) About one hour after installation, test for water leakage. Leave vehicle for 24 hours before using it.

- 4) Connect rear defogger connections.

- 5) Install high mount stop light and rear wiper.