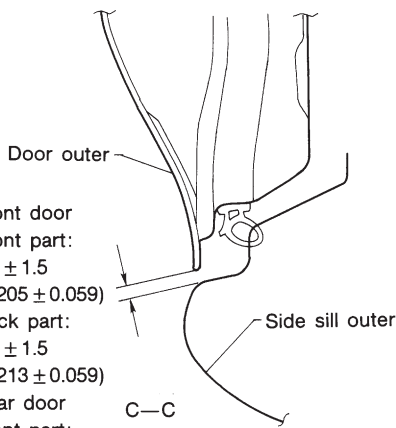
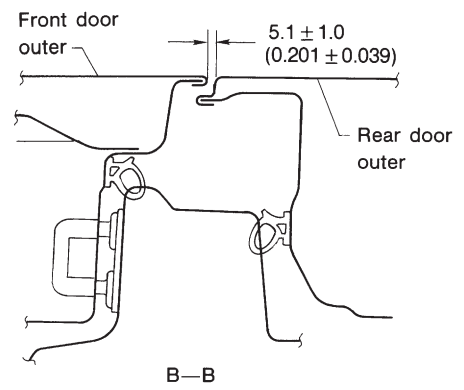
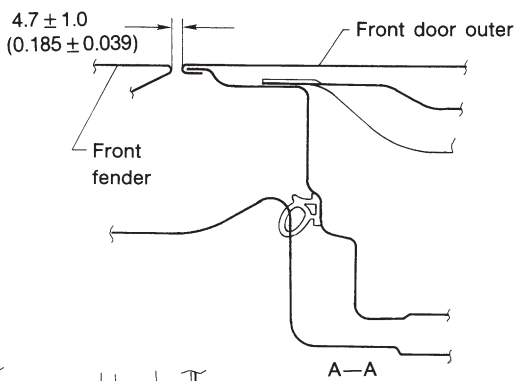
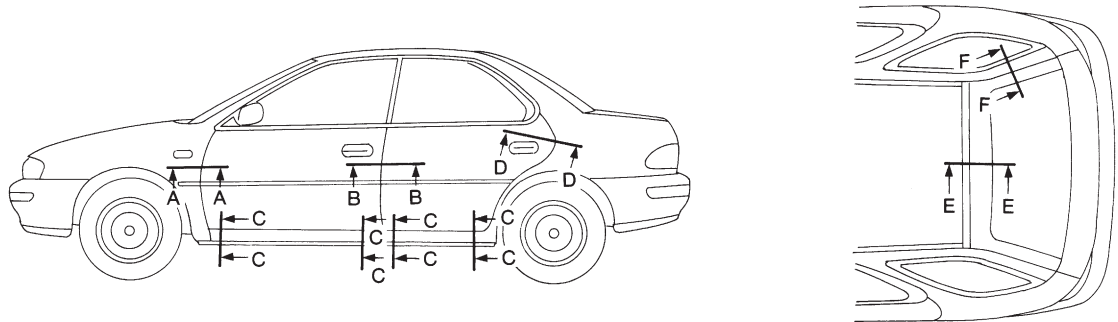
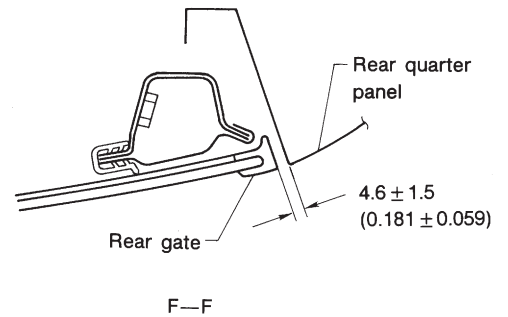
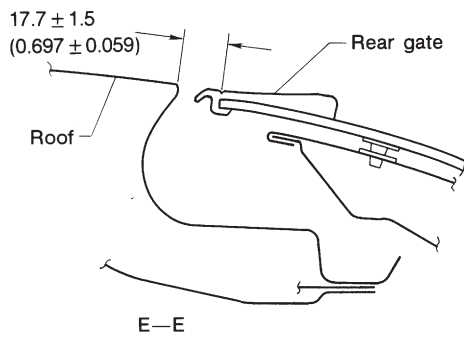
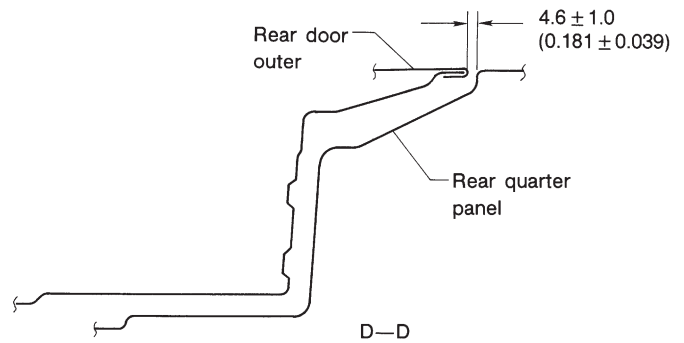


# 1. Door Alignment

## A: SEDAN AND WAGON MODEL

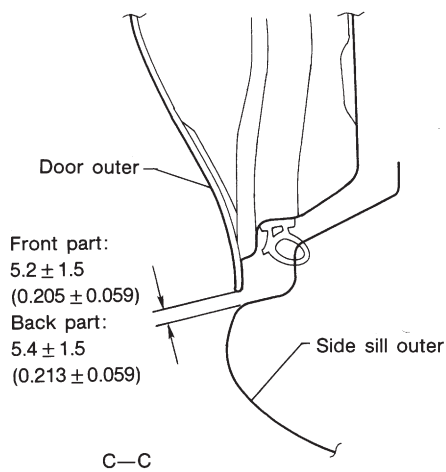
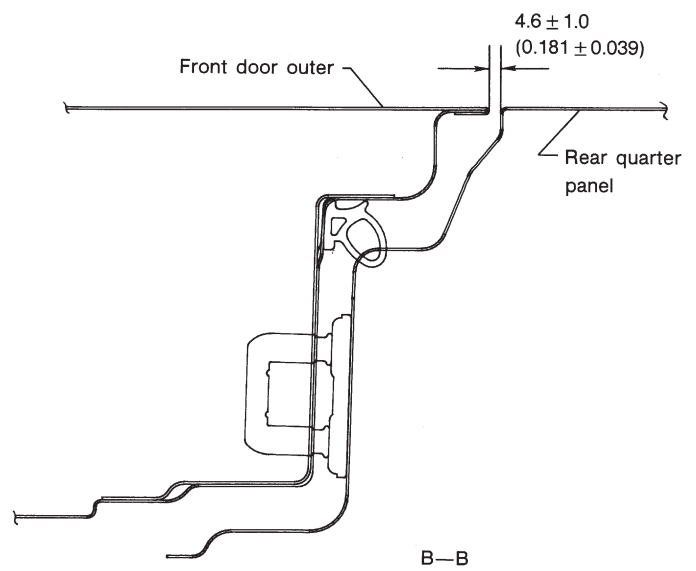
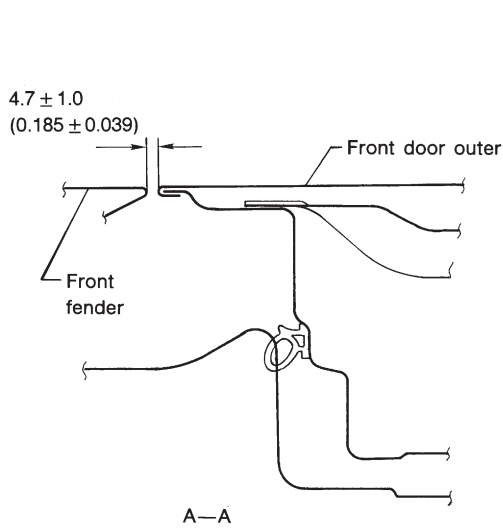
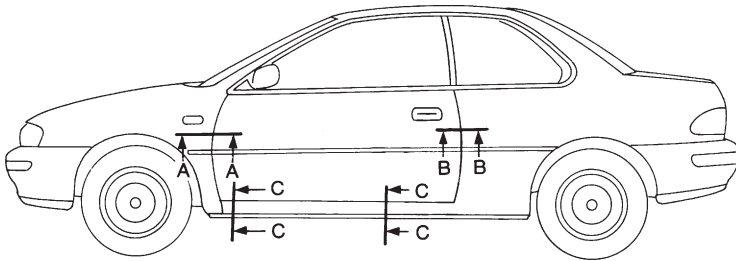


- Front door  
Front part:  
5.2 ± 1.5  
(0.205 ± 0.059)  
Back part:  
5.4 ± 1.5  
(0.213 ± 0.059)
- Rear door  
Front part:  
5.4 ± 1.5  
(0.213 ± 0.059)  
Back part:  
6.1 ± 1.5  
(0.240 ± 0.059)



Unit: mm (in)

B: COUPE MODEL



Unit: mm (in)