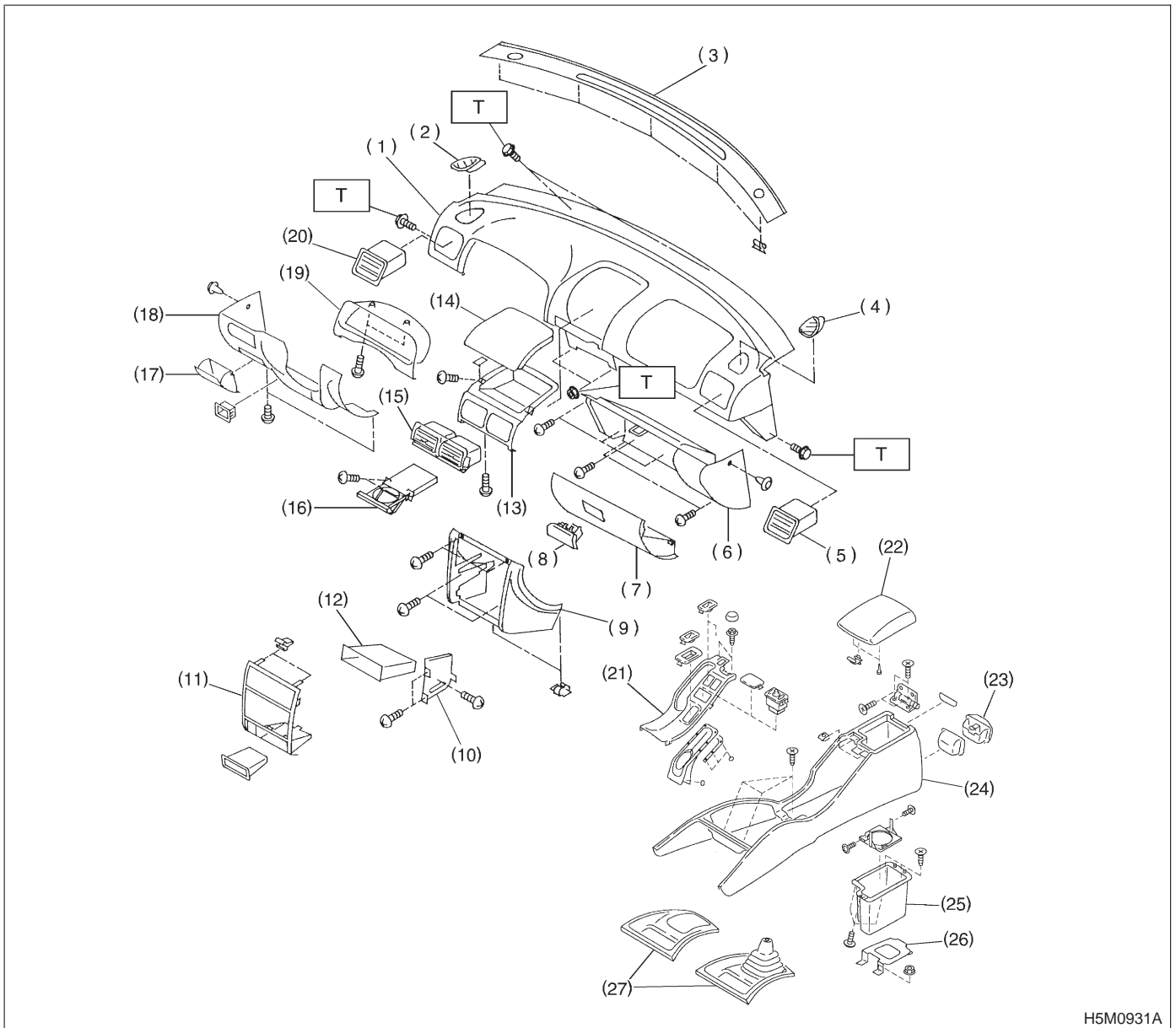


1. Instrument Panel



H5M0931A

- | | | |
|-------------------------------------|------------------------|------------------------|
| (1) Pad & frame | (12) Pocket | (23) Ash tray |
| (2) Grille side (D) | (13) Panel center | (24) Console box |
| (3) Front def. grille | (14) Center pocket lid | (25) Console pocket |
| (4) Grille side (P) | (15) Grille center | (26) Rear console BRKT |
| (5) Grille vent (P) | (16) Cup holder | (27) Front cover |
| (6) Glove box panel | (17) Side pocket | |
| (7) Glove box lid | (18) Lower cover ASSY | |
| (8) Knob | (19) Meter visor | |
| (9) Instrument panel center console | (20) Grille vent (D) | |
| (10) BRKT (Radio) | (21) Console cover | |
| (11) Center console cover | (22) Console lid | |

Tightening torque: N-m (kg-m, ft-lb)

T: 7±1 (0.7±0.1, 5.1±0.7)