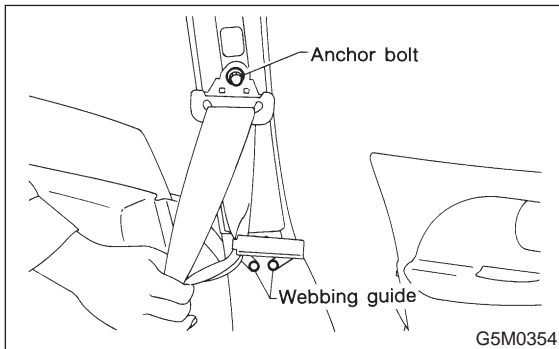


### 3. Front Seat Belt

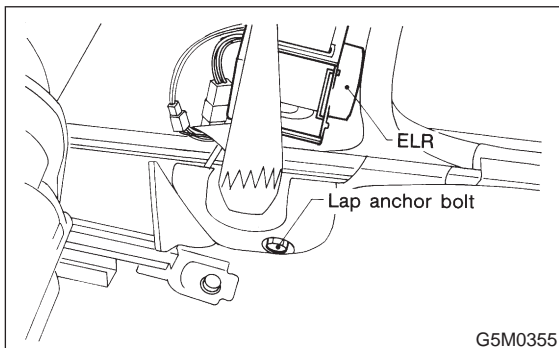
#### A: REMOVAL AND INSTALLATION

##### 1. OUTER BELT (sedan and wagon)

- 1) Remove through-anchor cover cap.
- 2) Remove shoulder anchor bolt.
- 3) Remove webbing guide.



- 4) Remove center lower pillar trim panel.
- 5) Remove front cover side plate.
- 6) Roll up floor mat at the bottom of center pillar.
- 7) Remove lap anchor bolt.



- 8) Remove belt retractor and outer belt.
- 9) Installation is in the reverse order of removal.

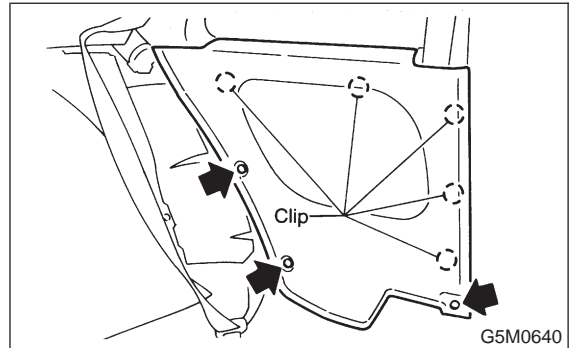
**CAUTION:**

- The left and right ELR's are not mutually interchangeable because different sensors are used.
- Be careful not to twist belts during installation.

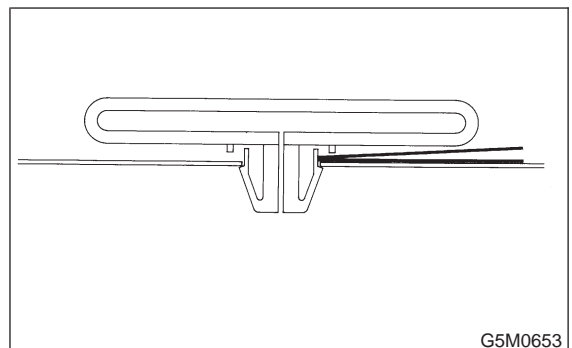
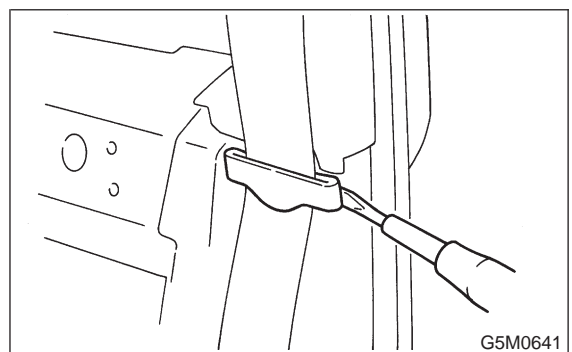
##### 2. OUTER BELT (coupe)

- 1) Remove rear seat cushion and backrest.  
<Ref. to 5-3 [W2A1].>

- 2) Remove rear quarter trim.



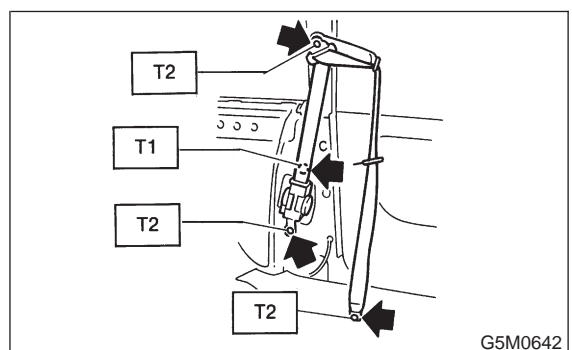
- 3) Remove webbing guide.



- 4) Remove anchor cover cap.
- 5) Remove four bolts and then belt retractor and outer belt. Tightening torque:
- 6) Installation is in the reverse order of removal.

**Tightening torque:**

**T1: 13±3 N·m (1.3±0.3 kg·m, 9.4±2.2 ft·lb)**  
**T2: 35±13 N·m (3.6±1.3 kg·m, 26±9 ft·lb)**

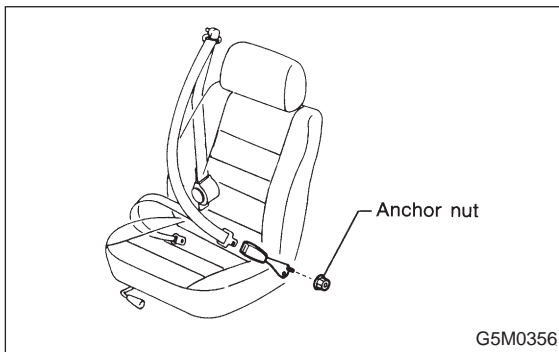


**CAUTION:**

- The left and right ELR's are not mutually interchangeable because different sensors are used.
- Be careful not to twist belts during installation.

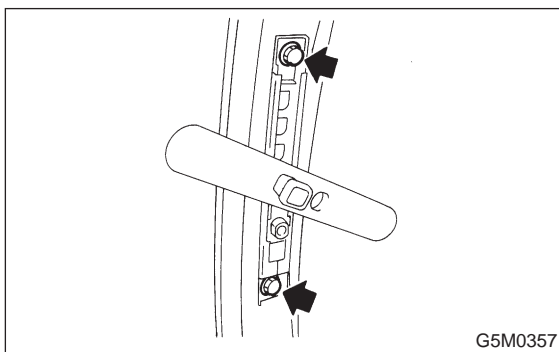
**3. INNER BELT**

Remove anchor nut.



**4. ADJUSTABLE SHOULDER ANCHOR**

- 1) Remove shoulder anchor bolt.
- 2) Remove lower center pillar trim.
- 3) Remove front and front pillar trim panel.
- 4) Remove adjustable shoulder anchor assembly.



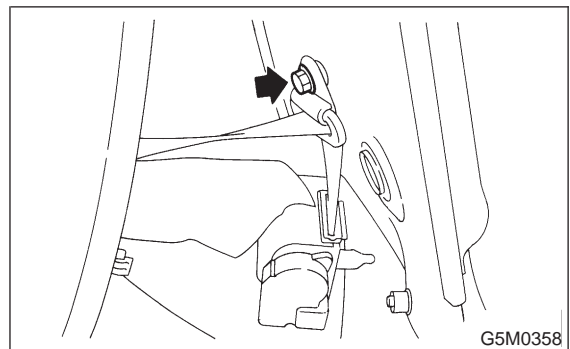
5) Installation is in the reverse order of removal.

**4. Rear Seat Belt**

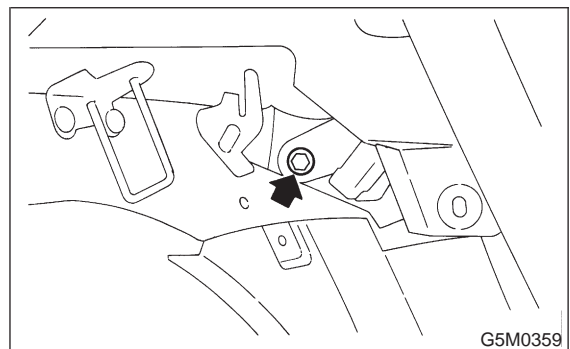
**A: REMOVAL AND INSTALLATION**

**1. SEDAN AND COUPE MODEL**

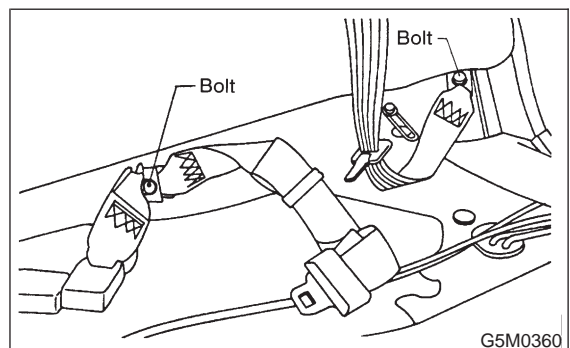
- 1) Remove rear cushion from body.
- 2) Remove rear backrest from body.
- 3) Remove screw from lower side of rear quarter trim, and lift-up lower side of rear quarter trim.
- 4) Remove trim panel rear bracket upper.
- 5) Remove rear quarter trim.
- 6) Remove outer anchor bolts.



7) Remove rear bolt from ELR.



- 8) Remove belt from outlet in rear quarter along slit.
- 9) Remove inner bolts which secure outer seat.
- 10) Remove washer from bolt, then remove bolt, belt assembly, and anchor plate bracket.
- 11) Remove inner bolts (2 places) from center seat.



12) Remove washer from bolt, and remove bolt, belt assembly and anchor plate bracket.