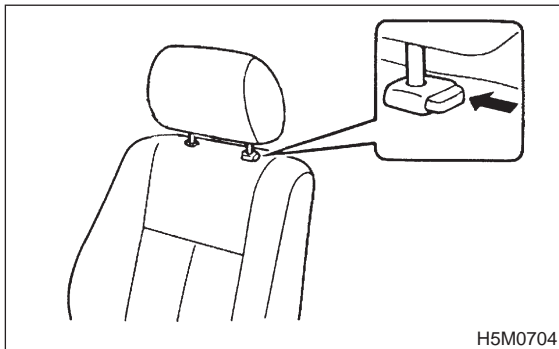


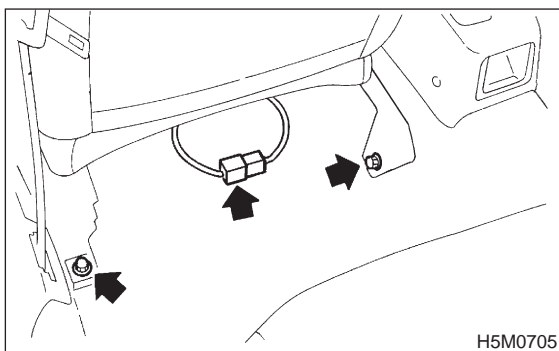
1. Front Seat

A: REMOVAL

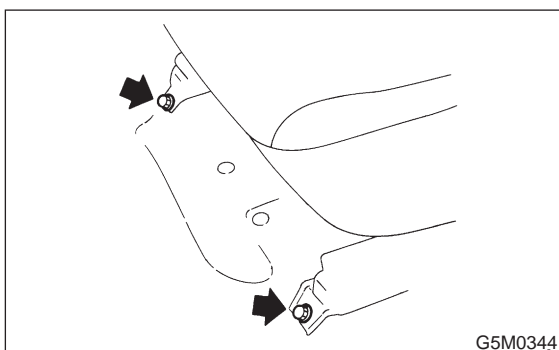
1) While operating button (located on top of backrest), lift headrest out with hand placed between backrest and headrest.



- 2) Pull reclining lever back to fold backrest all the way forward. While pulling slide adjuster lever, move seat all the way forward.
- 3) Disconnect connector under driver's seat.
- 4) Remove bolt cover at rear end of slide rail.
- 5) Remove bolts securing seat rear.



- 6) While pulling slide adjuster lever, slide seat all the way back.
- 7) Remove bolts securing front of seat.

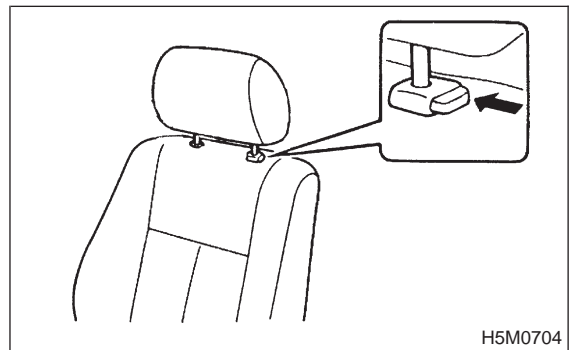


- 8) Remove front seat from vehicle.

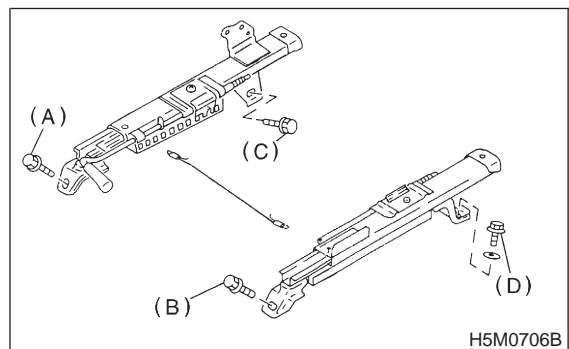
CAUTION:
Be careful not to scratch seat when removing it from vehicle.

B: INSTALLATION

1) While operating button (located on top of backrest), lift headrest out by placing your hand between backrest and headrest.



- 2) Pull reclining lever back to fold backrest all the way forward. Pull slide adjuster lever and move lower slide rail all the way backward.
- 3) Position seat in compartment and align the holes on the seat with the holes on the car body side.
- 4) Secure the front of seat using inward and outward bolts (A) and (B) in that order.
- 5) While pulling slide adjuster lever, move seat all the way forward.
- 6) Secure the rear of seat using inward and outward bolts (C) and (D).



- 7) Connect connector under driver's seat.

CAUTION:
Check that all lock plate pawls are completely and equally inserted into the holes in the slide rail brackets.

- 8) After installation, ensure that all mechanisms operate properly and lock.
- 9) If any mechanism does not function properly, loosen bolts (C) and (D), slide seat as required, insert all lock plate pawls into holes in slide rail brackets, and tighten bolts (C) and (D) in that order.
- 10) Install bolt cover on rear end of slide rail.
- 11) Install headrest on backrest.

NOTE:
Tighten bolts in the designated order.