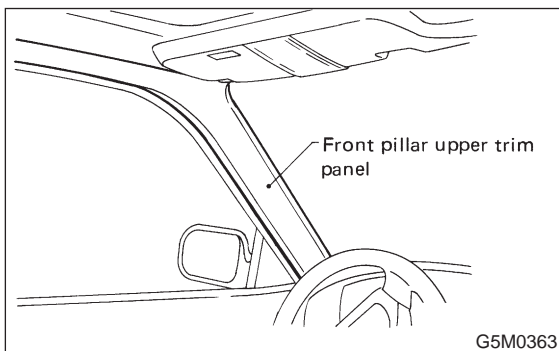


5. Inner Trim Panel

A: REMOVAL AND INSTALLATION

1. FRONT PILLAR UPPER TRIM PANEL

- 1) Remove center pillar lower trim panel.
- 2) Remove seat belt anchor bolts.
- 3) Pry pawls off body flange of front pillar upper trim panel using screwdriver.
- 4) Remove clips which hold front pillar upper trim panel, and lift trim panel out by moving it toward the compartment.



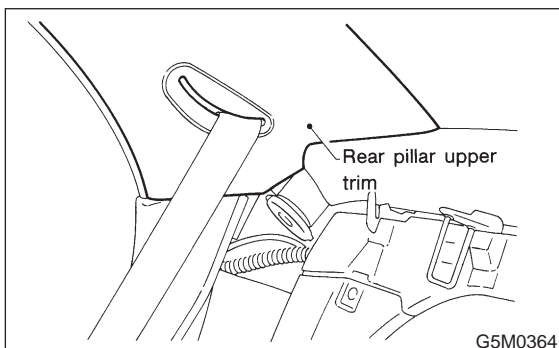
- 5) Installation is in the reverse order of removal.

CAUTION:

Be sure to securely hook pawls of front pillar upper trim panel on body flange.

2. REAR PILLAR UPPER TRIM PANEL (SEDAN)

- 1) Remove rear seat cushion and backrest.
- 2) Remove tapping screw from rear pillar lower trim panel, and remove trim panel by sliding it forward.
- 3) Remove front pillar upper trim end.
- 4) Pry the pawl off front end using screwdriver.
- 5) Remove clips which hold rear pillar upper trim, and remove trim panel by sliding it forward.



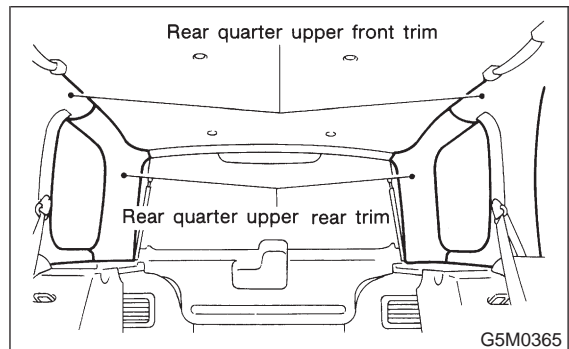
- 6) Installation is in the reverse order of removal.

CAUTION:

Be sure to securely hook pawls of rear pillar upper trim panel on body flange.

3. REAR QUARTER PILLAR UPPER TRIM PANEL (WAGON)

- 1) Set rear seat cushion up.
- 2) Remove rear seat backrest.
- 3) Remove rear quarter lower trim.
- 4) Remove rear rail trim.
- 5) Remove rear quarter upper front trim.
- 6) Remove rear quarter upper rear trim.



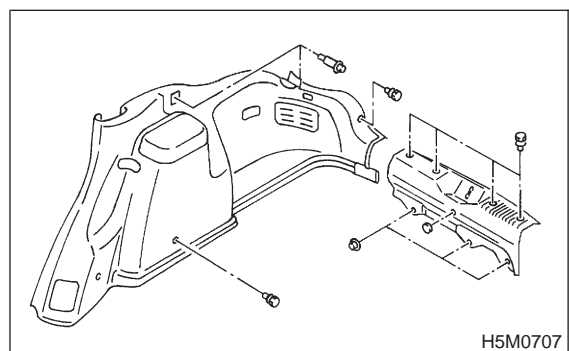
- 7) Installation is in the reverse order of removal.

CAUTION:

Be sure to securely hook pawls of rear quarter pillar trim panel on body flange.

4. REAR QUARTER LOWER TRIM PANEL (WAGON)

- 1) Remove luggage cover.
- 2) Set rear seat cushion up.
- 3) Remove rear seat backrest.
- 4) Remove rear skirt trim.
- 5) Remove clip and screw then disconnect connector (RH side).
- 6) Remove rear seat belt lower anchor then remove rear quarter lower trim.



- 7) Installation is in the reverse order of removal.

CAUTION:

Be careful not to ride trim panel over harness, insulators, etc.

5. FLOOR MAT **AIRBAG**

Supplemental Restraint System "Airbag" Airbag system wiring harness is routed near floor mat.

5-3 [W5A5]

5. Inner Trim Panel

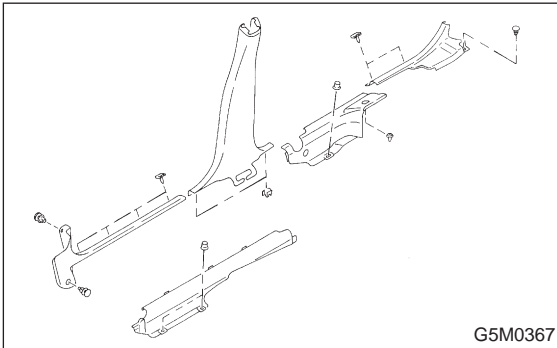
SERVICE PROCEDURE

CAUTION:

- All Airbag system wiring harness and connectors are colored yellow. Do not use electrical test equipment on these circuit.

- Be careful not to damage Airbag system wiring harness when servicing floor mat.

- 1) Remove front seats.
- 2) Remove rear seat cushion.
- 3) Remove center tray, indicator cover, cover assembly, and console box, depending on the specifications.
- 4) Remove front pillar lower trim panel.
- 5) Remove center pillar lower trim panel.
- 6) Remove three clips under rear seat cushion.
- 7) Remove rear cover side plate and rear pillar lower trim.
- 8) Pull out edge in the groove of side sill cover.

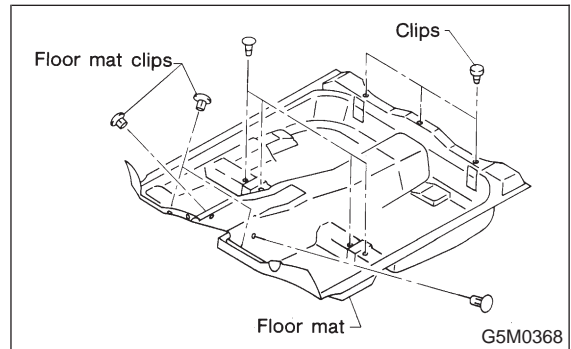


- 9) Remove four clips under front seat.
- 10) Remove four clips in toe board area.

NOTE:

When pulling out edge, do not pull mat alone; pull mat together with edge. Pry off two steel clips on side sill front cover and one on side sill rear cover using screwdriver.

- 11) Remove mat hook.
- 12) Remove mat from toe board area.



- 13) Remove mat from heater unit.
- 14) Roll mat, and take it out of opened rear door.
- 15) Installation is in the reverse order of removal.

NOTE:

- Secure mat firmly with hook and velcro tape.
- Insert mat edge firmly into the groove of side sill cover.