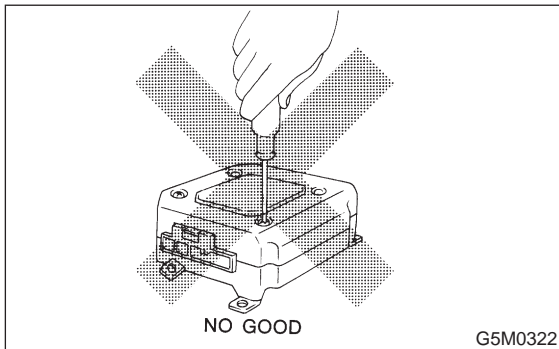


5. Airbag Control Module

A: REMOVAL AND INSTALLATION

CAUTION:

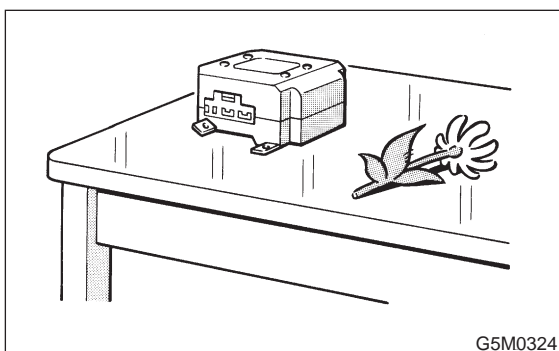
- Do not disassemble the airbag control module.



- If the airbag control module is deformed, or if water damage is suspected, replace the airbag control module with a new genuine part.



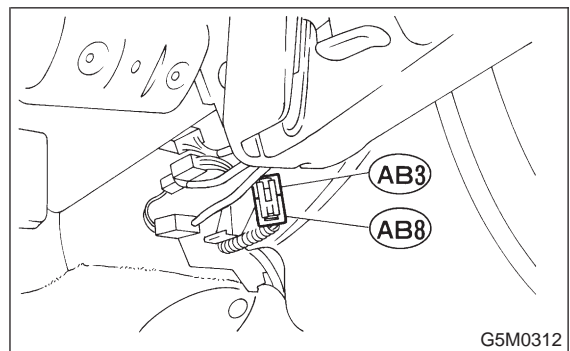
- After removal, keep the airbag control module on a dry, clean surface away from heat and light sources, and moisture and dust.



- 3) Remove lower cover. <Ref. to 5-4 [W1A0].>
- 4) Disconnect airbag connector (AB3) and (AB8) below steering column.

CAUTION:

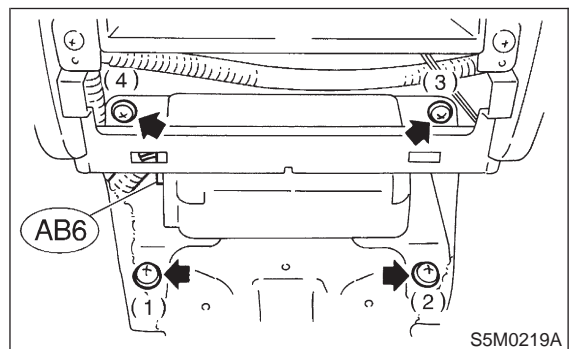
Do not reconnect airbag connector at steering column until airbag control module is securely re-installed.



- 5) Remove instrument panel console. <Ref. to 5-4 [W1A0].>
- 6) Disconnect connector from airbag control module.
- 7) Using T40 TORX® bit (Tamper resistant type), remove four TORX® bolts in numerical sequence shown in figure. Discard the old TORX® bolts.

CAUTION:

Use new TORX® bolts during re-assembly.



- 8) Installation is in the reverse order of removal.

- 1) Turn ignition switch off.
- 2) Disconnect ground cable from battery and wait for at least 20 seconds before starting work.