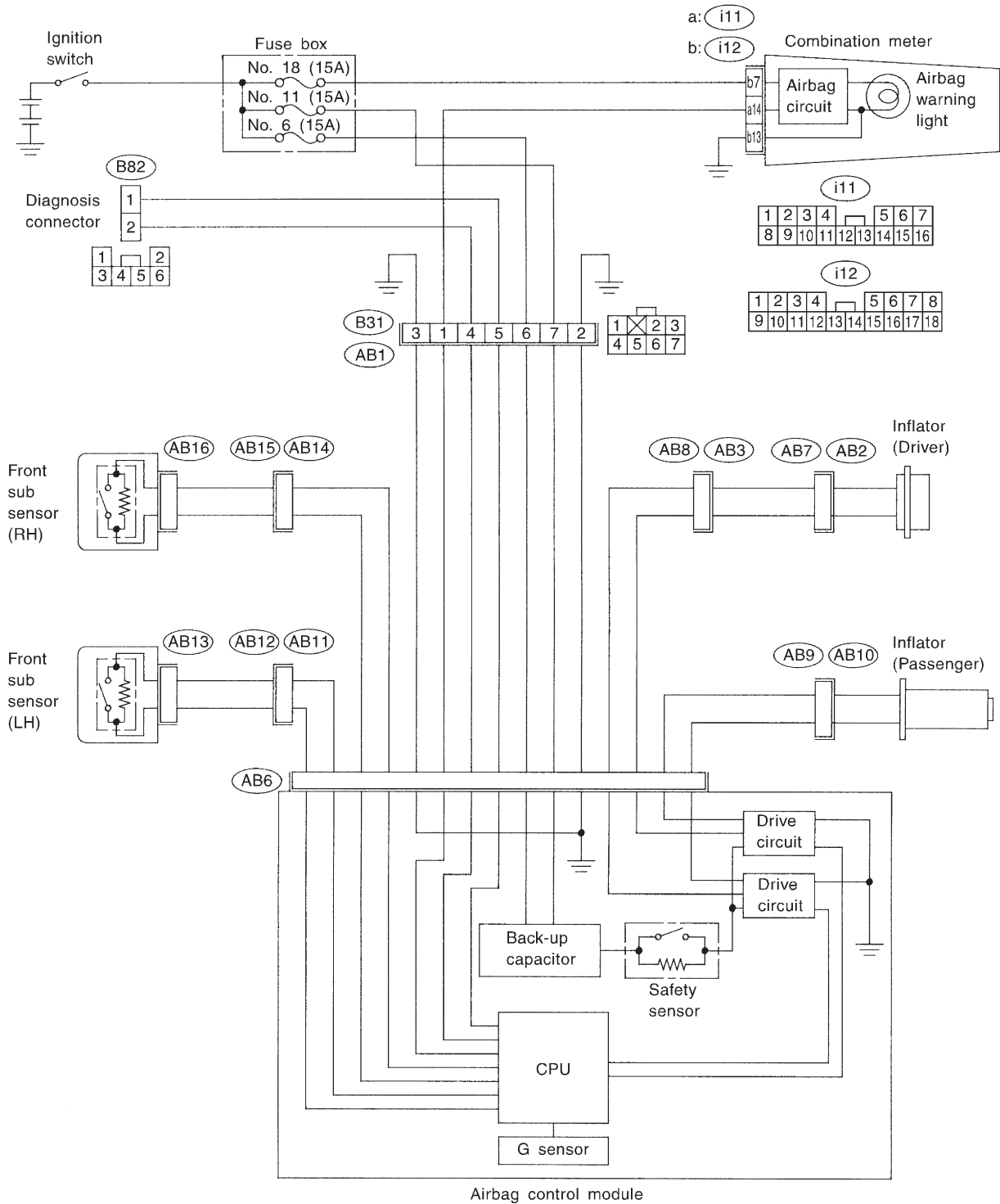


2. Schematic



H5M0942A