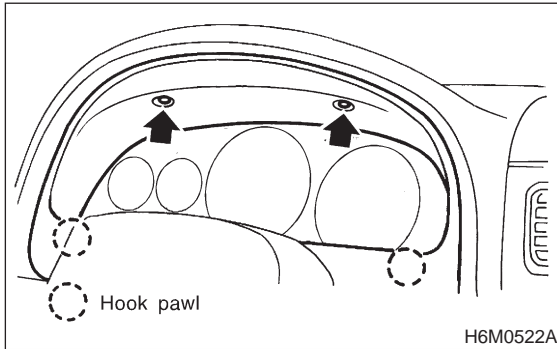


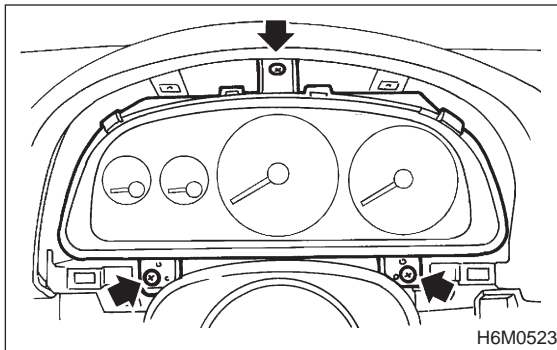
8. Combination Meter

A: REMOVAL AND INSTALLATION

- 1) Move steering wheel most down.
- 2) Remove screws which secure visor and remove visor.



- 3) Remove screws which secure combination meter, and pull combination meter out.

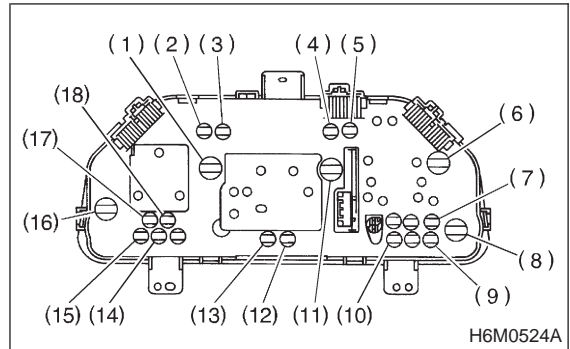


- 4) Disconnect connector from back of combination meter.
- 5) Installation is in the reverse order of removal.

CAUTION:

When installing combination meter, be sure to connect connectors to backside of combination meter.

B: BULB REPLACEMENT



- (1) Speedometer and tachometer
- (2) HI-beam
- (3) Turn RH
- (4) Turn LH
- (5) Airbag
- (6) Temperature gauge
- (7) ABS
- (8) Low fuel
- (9) FWD
- (10) AT oil temp.
- (11) Speedometer and temperature gauge
- (12) Seat belt
- (13) Door open
- (14) Check engine
- (15) Charge
- (16) Tachometer
- (17) Brake
- (18) Oil pressure