

5. Front Wiper and Washer

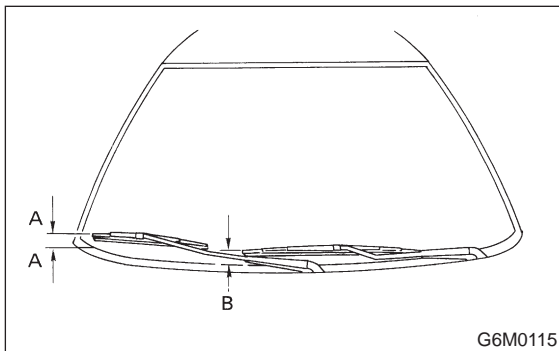
A: ADJUSTMENT

- 1) Turn the wiper switch to OFF position.
- 2) Adjust blades in original position as shown in figure by changing wiper arm installation.

Original position:

A: 22.5 ± 7.5 mm (0.886 \pm 0.295 in)

B: 32.5 ± 7.5 mm (1.280 \pm 0.295 in)



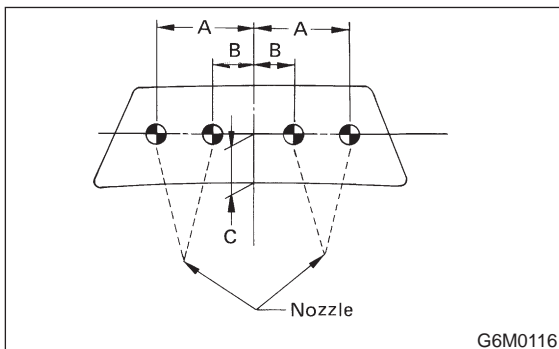
- 3) Adjust washer ejecting point on windshield glass as shown in figure when vehicle stops.

Ejecting point:

A: 375 mm (14.76 in)

B: 150 mm (5.91 in)

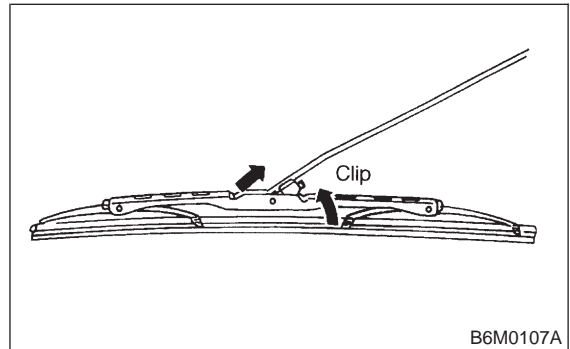
C: 350 mm (13.78 in)



B: REMOVAL AND INSTALLATION

1. BLADE

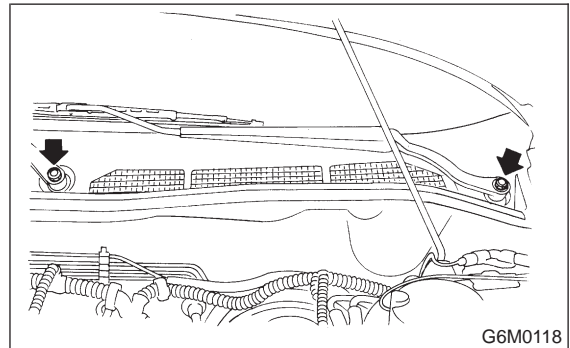
- 1) Pull out blade following the arrow direction, from arm while pushing up locking clip.



- 2) Installation is in the reverse order of removal.

2. WIPER ARM

- 1) Open front hood.
- 2) Remove cap. Remove the nut which secure wiper arm, and remove wiper arm.



- 3) Installation is in the reverse order of removal.

Tightening torque:

14 ± 2 N·m (1.4 \pm 0.2 kg·m, 10.1 \pm 1.4 ft·lb)

3. WIPER MOTOR AND LINK

- 1) Detach weatherstrip and cowl panel. <Ref. to 5-1 [W11A0].>

NOTE:

Apply silicone oil or soap water to both sides of cowl net to facilitate removal.

6-2 [W5B3]

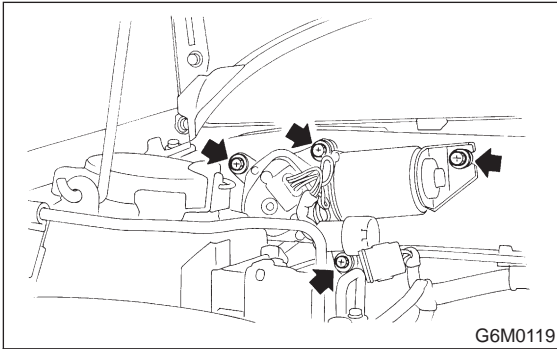
5. Front Wiper and Washer

SERVICE PROCEDURE

2) Disconnect electric connector, and remove motor attaching bolts.

Tightening torque:

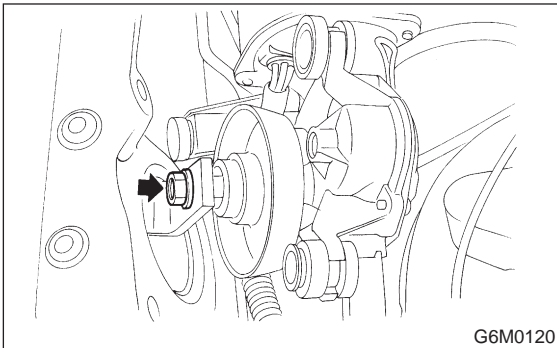
5.9 ± 1.5 N·m (0.6 ± 0.15 kg·m, 4.3 ± 1.1 ft·lb)



3) Remove nut securing motor link on the back side of motor.

Tightening torque:

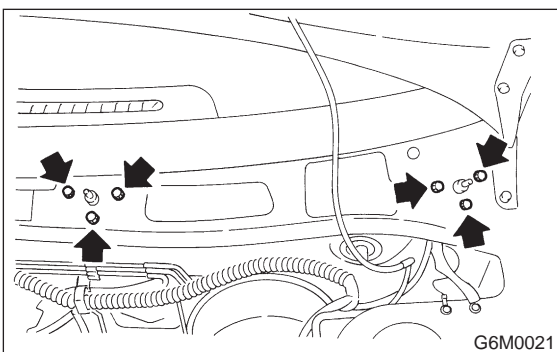
15 ± 3 N·m (1.5 ± 0.3 kg·m, 10.8 ± 2.2 ft·lb)



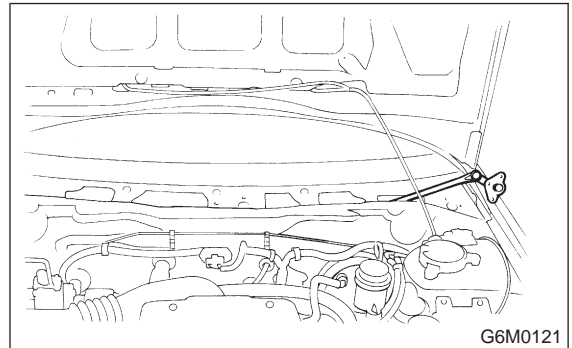
4) Remove nuts which secure sleeve unit.

Tightening torque:

5.9 ± 1.5 N·m (0.6 ± 0.15 kg·m, 4.3 ± 1.1 ft·lb)



5) Remove wiper link from service hole in front panel.



6) Installation is in the reverse order of removal.

C: INSPECTION

1. COMBINATION SWITCH (ON-CAR)

Set wiper switch to each position and check continuity between terminals.

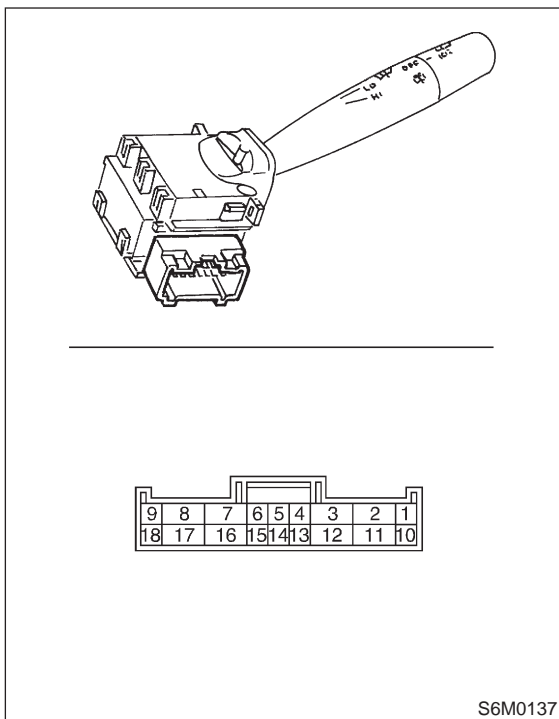
• Wiper switch

Terminal Switch position		16	7	17	8	INT1	INT2
OFF	OFF	○—○					
	MIST	×	○—○	×			
INT	OFF	○—○				○—○	
	MIST	×	○—○	×		○—○	
		×		×			
LO	OFF		○—○				
	MIST		○—○				
HI	OFF			○—○			
	MIST		○—○	○—○			

• Washer switch

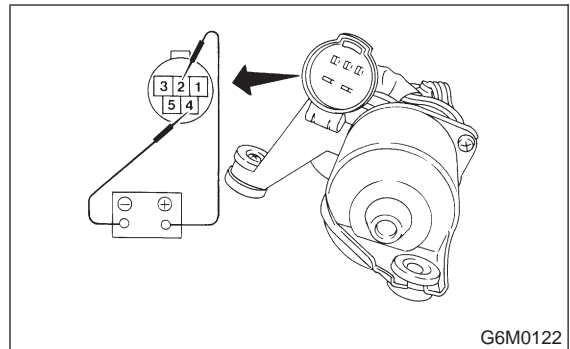
Terminal Switch position	11	2
OFF		
ON	○—○	○—○

H6M0501B

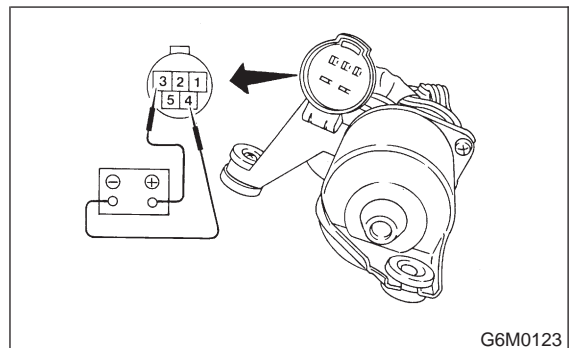


2. WIPER MOTOR

1) Check wiper motor operation at low speed: Connect battery to wiper motor. Check wiper motor for proper operation at low speed.



2) Check wiper motor operation at high speed: Connect battery wiper motor. Check wiper motor for proper operation at high speed.



3) Check wiper motor for proper stoppage: Connect battery to wiper motor. After operating wiper motor at low speed, disconnect battery to stop it.

