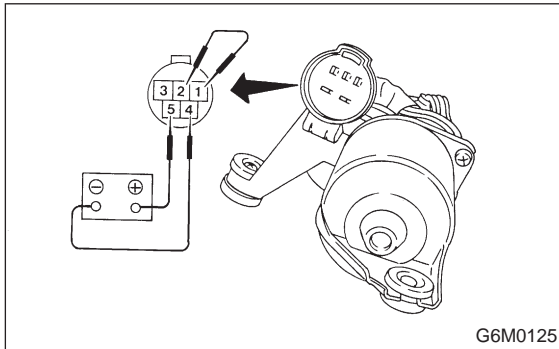


## 6-2 [W6A0]

### 6. Rear Wiper and Washer

## SERVICE PROCEDURE

4) Reconnect battery and ensure that wiper motor stops at "AUTO STOP" after operating at low speed.



G6M0125

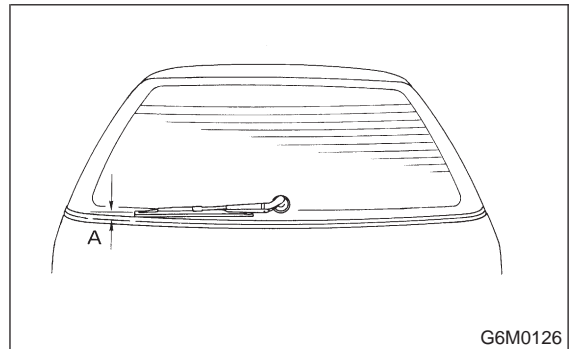
## 6. Rear Wiper and Washer

### A: ADJUSTMENT

1) Adjust wiper blade in original position as shown in figure by changing wiper arm installation.

**Original position:**

**A:  $30 \pm 5$  mm (1.18  $\pm$  0.20 in)**



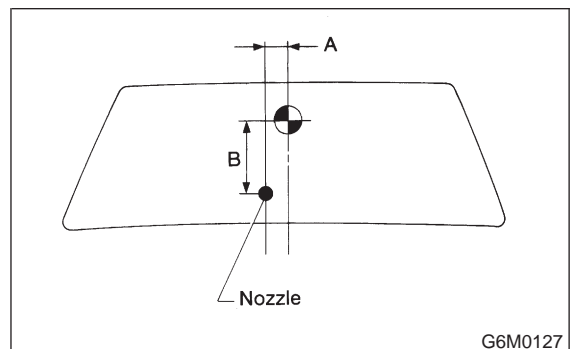
G6M0126

2) Adjust washer ejecting point on rear gate window as shown in figure when the vehicle stops.

**Ejecting point:**

**A: 25 mm (0.98 in)**

**B: 200 — 300 mm (7.87 — 11.81 in)**

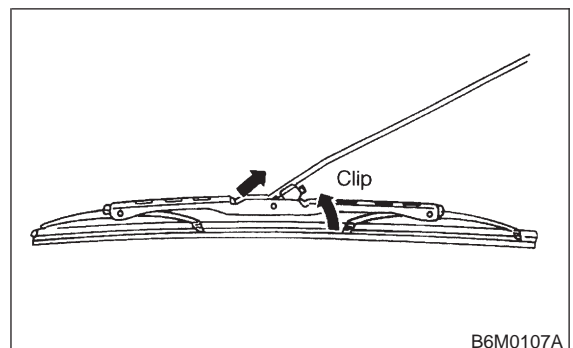


G6M0127

### B: REMOVAL AND INSTALLATION

#### 1. BLADE

1) Pull out blade following the arrow direction, from arm while pushing up locking clip.

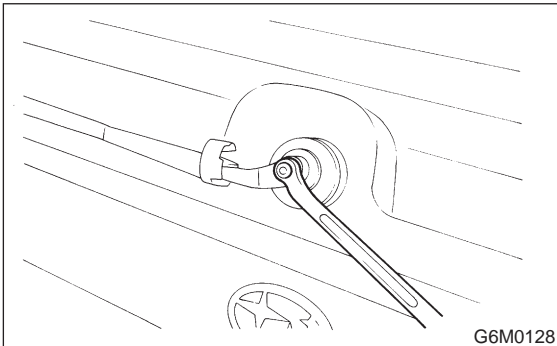


B6M0107A

2) Installation is in the reverse order of removal.

**2. WIPER ARM**

- 1) Remove head cover.
- 2) Remove nut and wiper arm.



- 3) Installation is in the reverse order of removal.

**Tightening torque:**

**$5.9 \pm 1.5 \text{ N}\cdot\text{m}$  ( $0.6 \pm 0.15 \text{ kg}\cdot\text{m}$ ,  $4.3 \pm 1.1 \text{ ft}\cdot\text{lb}$ )**

**3. WIPER MOTOR**

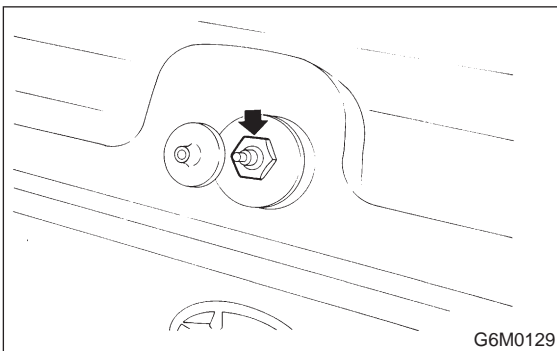
- 1) Remove cap and special nut.

**CAUTION:**

**Be careful not to strike service tool against nozzle during removal.**

**Tightening torque:**

**$7.4 \pm 1.5 \text{ N}\cdot\text{m}$  ( $0.75 \pm 0.15 \text{ kg}\cdot\text{m}$ ,  $5.4 \pm 1.1 \text{ ft}\cdot\text{lb}$ )**

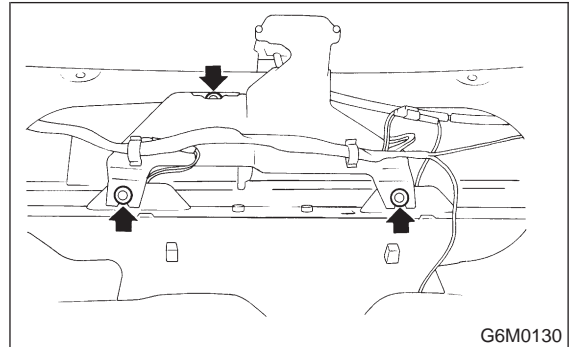


- 2) Remove rear gate trim. <Ref. to 5-2 [W3A0].>
- 3) Undo clips which secure harness, and disconnect connector of wiper motor.
- 4) Separate washer hoses at joint.

- 5) Remove attaching screws and take out wiper motor assembly.

**CAUTION:**

**Be careful not to damage O-ring when removing wiper motor assembly.**



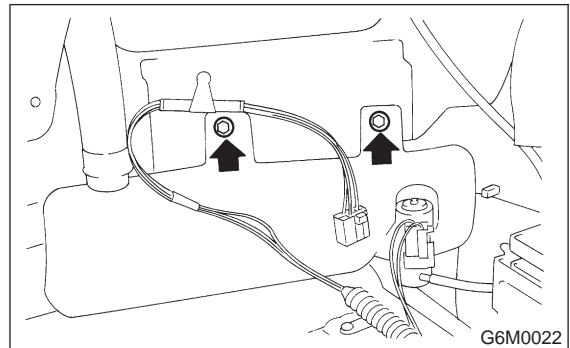
- 6) Installation is in the reverse order of removal.

**Tightening torque:**

**$5.9 \pm 1.5 \text{ N}\cdot\text{m}$  ( $0.6 \pm 0.15 \text{ kg}\cdot\text{m}$ ,  $4.3 \pm 1.1 \text{ ft}\cdot\text{lb}$ )**

**4. WASHER TANK**

- 1) Remove rear quarter trim.
- 2) Disconnect washer hose and connector.
- 3) Remove attaching bolts.



- 4) Installation is in the reverse order of removal.

**Tightening torque:**

**$5.9 \pm 1.5 \text{ N}\cdot\text{m}$  ( $0.6 \pm 0.15 \text{ kg}\cdot\text{m}$ ,  $4.3 \pm 1.1 \text{ ft}\cdot\text{lb}$ )**

**C: INSPECTION**

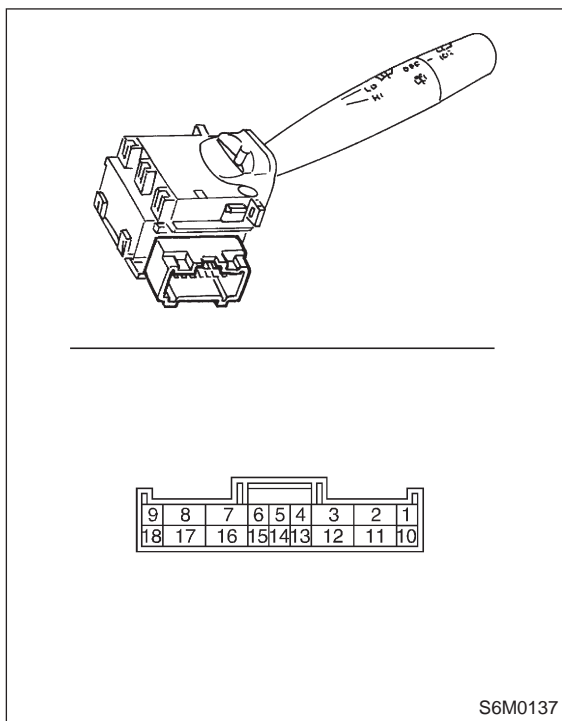
**1. COMBINATION SWITCH (ON-CAR)**

Set rear wiper and washer switch to each position and check continuity between terminals.

• **WITHOUT INTERMITTENT REAR WIPER**

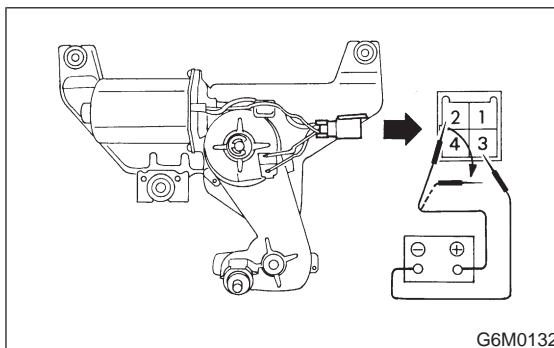
Terminal	10	12		2
Switch position				
WASH	○	○		○
OFF				
ON	○			○
WASH	○	○		○

H6M0502B



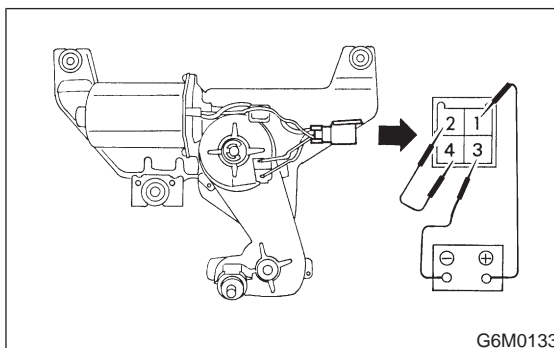
S6M0137

2) Check wiper motor for proper stoppage: After operating wiper motor, disconnect battery from wiper motor.



G6M0132

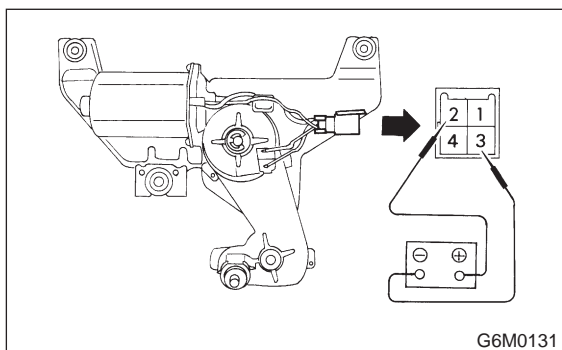
3) Reconnect battery and ensure that wiper motor stops at "AUTO STOP" after it has been operated.



G6M0133

**2. WIPER MOTOR**

1) Operational check: Connect battery to wiper motor and check operation of wiper motor.



G6M0131