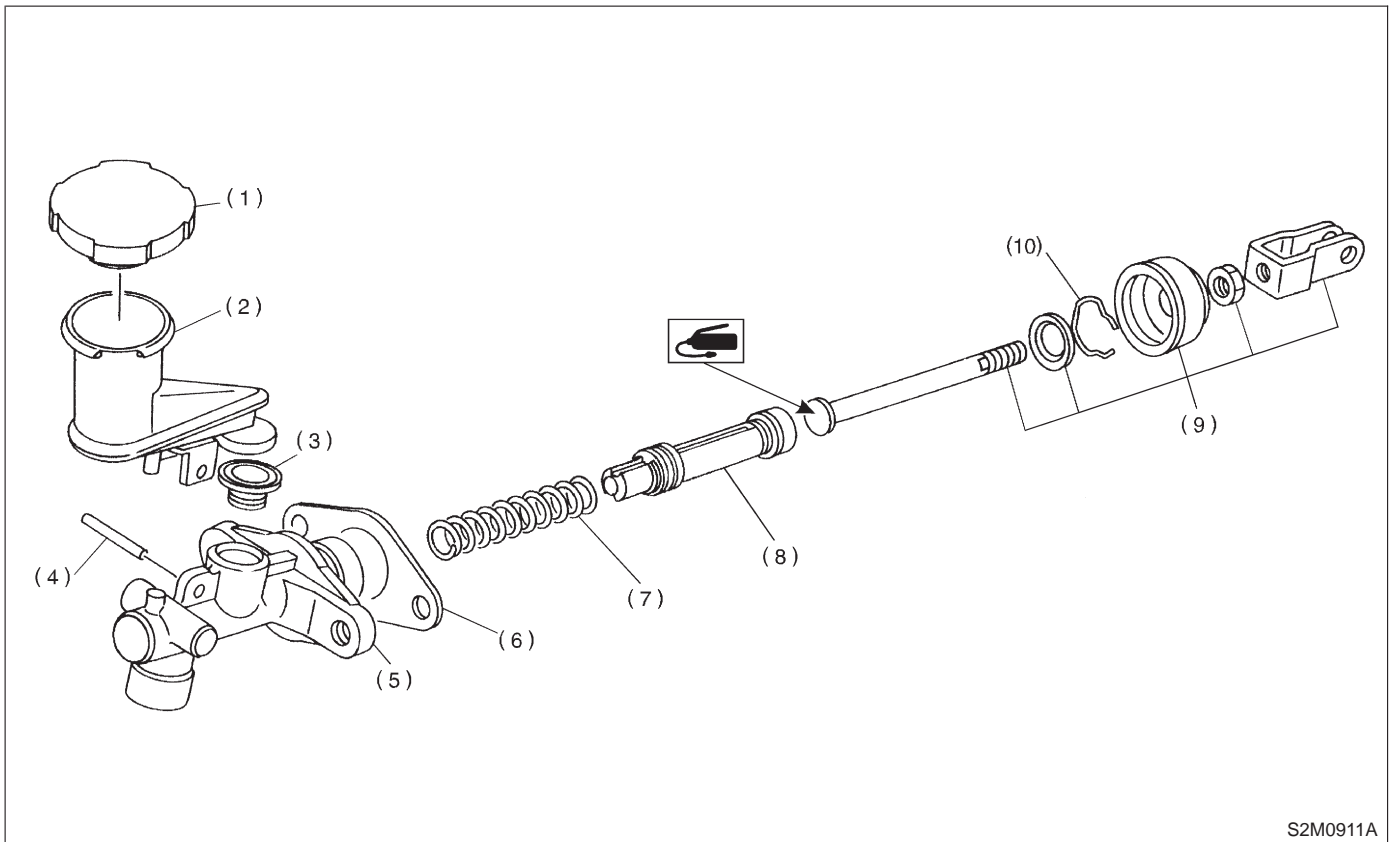


2. Master Cylinder and Reservoir Tank



S2M0911A

- | | | |
|--------------------|---------------------|-----------------------|
| (1) Reservoir cap | (5) Master cylinder | (9) Push rod |
| (2) Reservoir tank | (6) Seat | (10) Piston stop ring |
| (3) Oil seal | (7) Return spring | |
| (4) Straight pin | (8) Piston | |