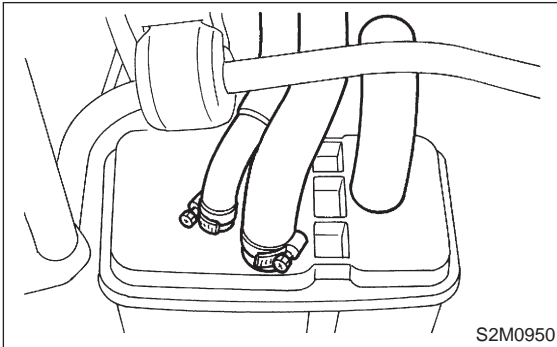


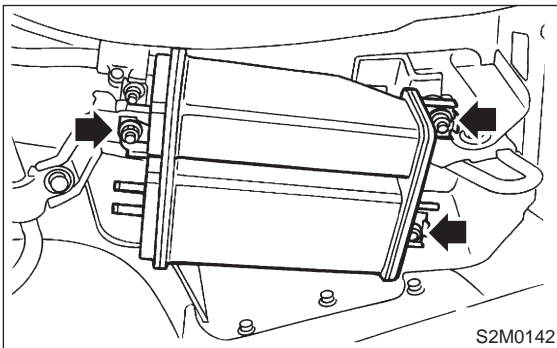
3. Canister

A: REMOVAL AND INSTALLATION

- 1) Lift-up the vehicle.
- 2) Disconnect evaporation hoses from canister.



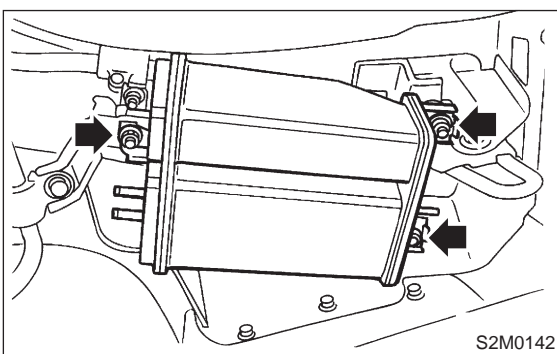
- 3) Remove canister from body.



- 4) Installation is in the reverse order of removal.

Tightening torque:

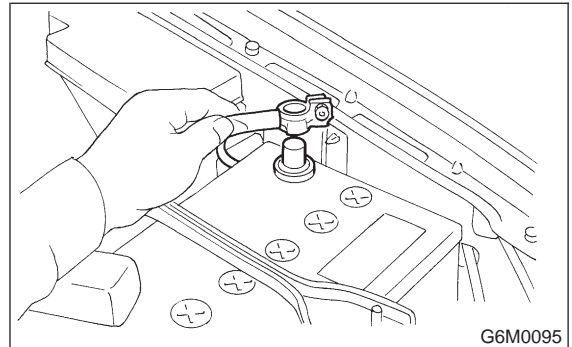
22.5 ± 7 N·m (2.3 ± 0.7 kg·m, 16.6 ± 5.1 ft·lb)



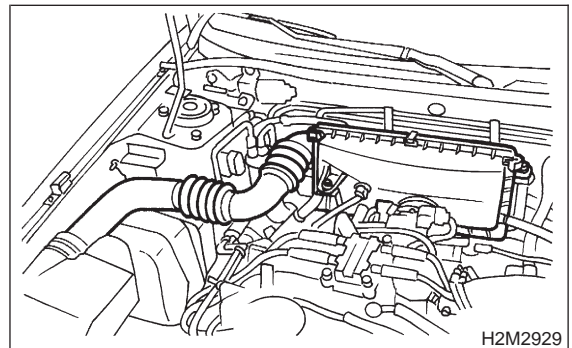
4. Purge Control Solenoid Valve

A: REMOVAL AND INSTALLATION

- 1) Disconnect battery ground cable.



- 2) Remove air cleaner case and air intake duct. (2200 cc California spec. vehicles) <Ref. to 2-7 [W1A0].>



- 3) Remove air intake duct and air intake chamber. (Except 2200 cc California spec. vehicles) <Ref. to 2-7 [W18A0].>

