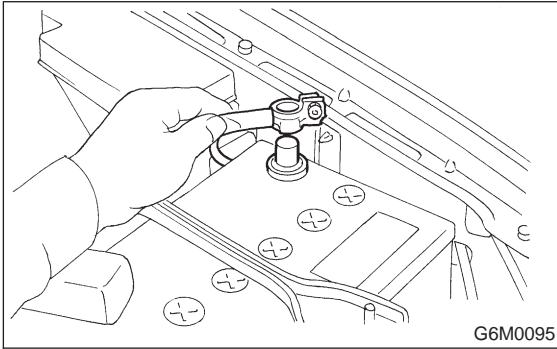


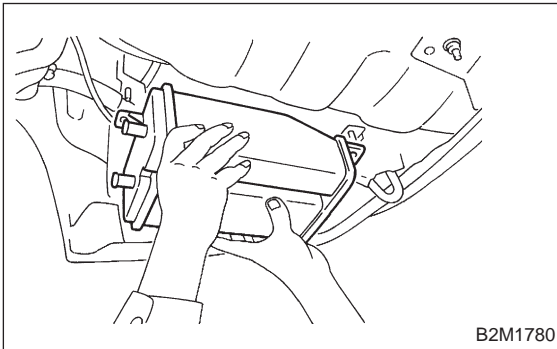
13. Drain Valve

A: REMOVAL AND INSTALLATION

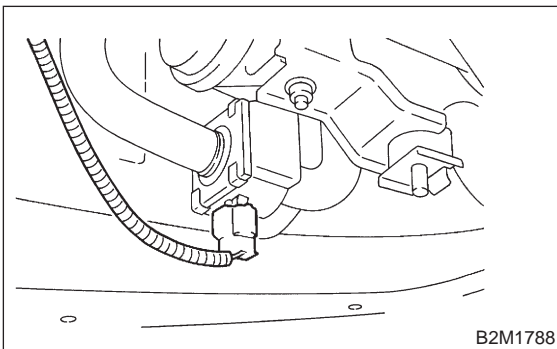
- 1) Disconnect battery ground cable.



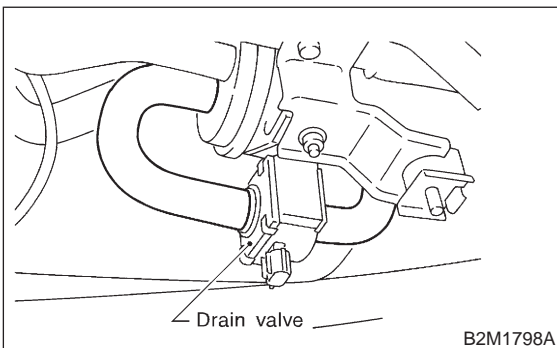
- 2) Lift-up the vehicle.
3) Remove canister. <Ref. to 2-1 [W3A0].>



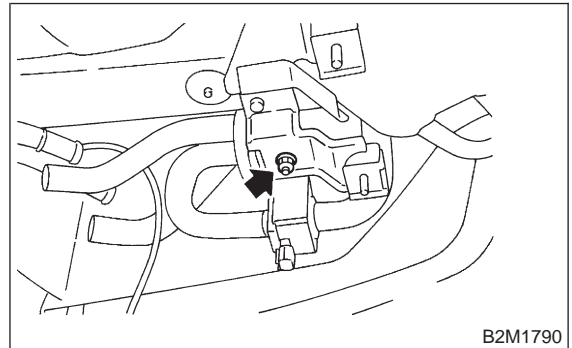
- 4) Disconnect connector from drain valve.



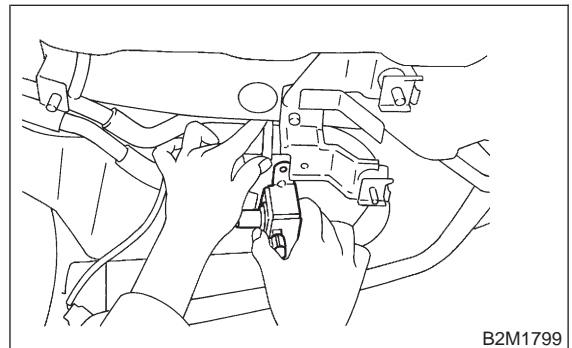
- 5) Disconnect evaporation hoses from drain valve.



- 6) Remove bolt which installs air filter and drain valve brackets on body.



- 7) Move air filter to upper side, and remove drain valve with bracket.



- 8) Installation is in the reverse order of removal.

Tightening torque:

22.5 ± 7 N·m (2.3 ± 0.7 kg·m, 16.6 ± 5.1 ft·lb)

