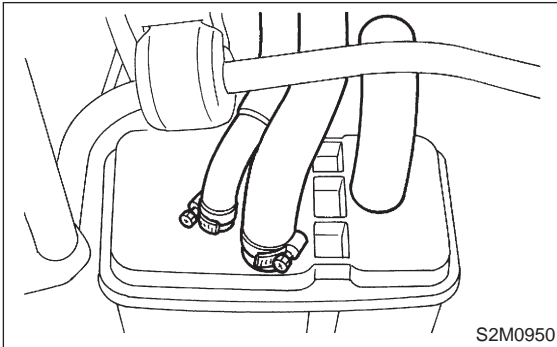


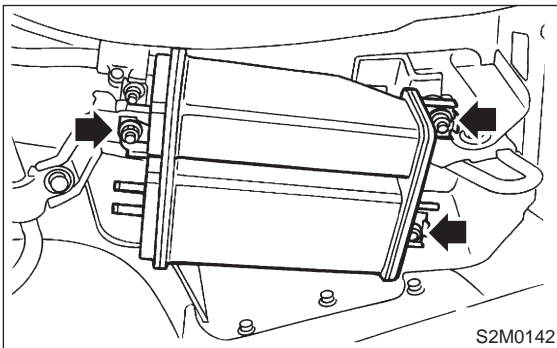
3. Canister

A: REMOVAL AND INSTALLATION

- 1) Lift-up the vehicle.
- 2) Disconnect evaporation hoses from canister.



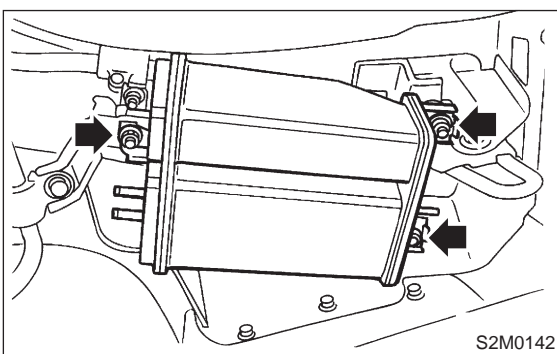
- 3) Remove canister from body.



- 4) Installation is in the reverse order of removal.

Tightening torque:

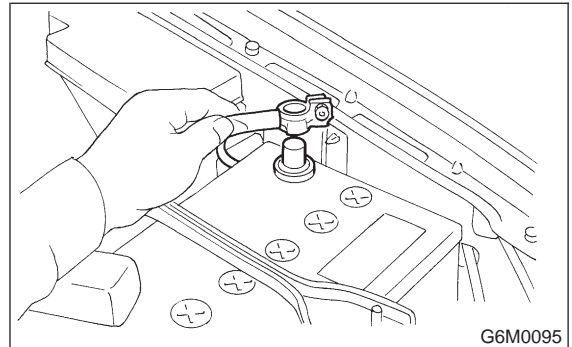
22.5±7 N·m (2.3±0.7 kg·m, 16.6±5.1 ft·lb)



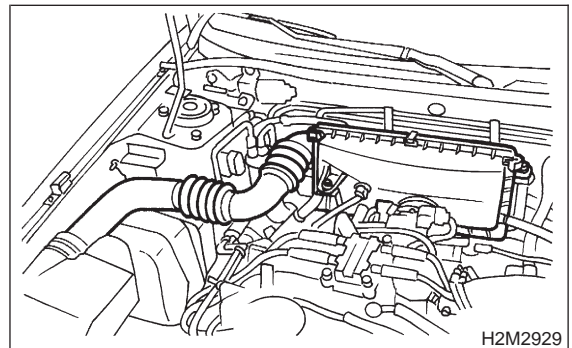
4. Purge Control Solenoid Valve

A: REMOVAL AND INSTALLATION

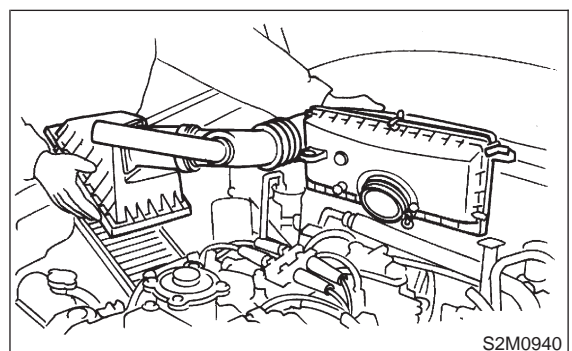
- 1) Disconnect battery ground cable.



- 2) Remove air cleaner case and air intake duct. (2200 cc California spec. vehicles) <Ref. to 2-7 [W1A0].>



- 3) Remove air intake duct and air intake chamber. (Except 2200 cc California spec. vehicles) <Ref. to 2-7 [W18A0].>

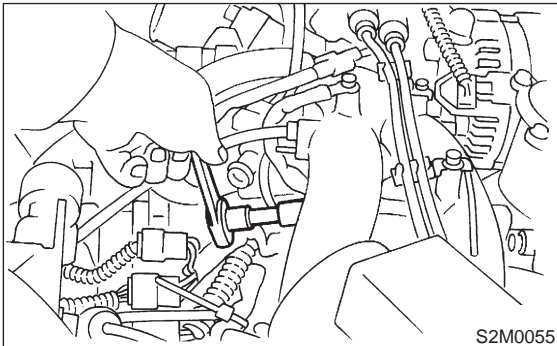


2-1 [W4A0]

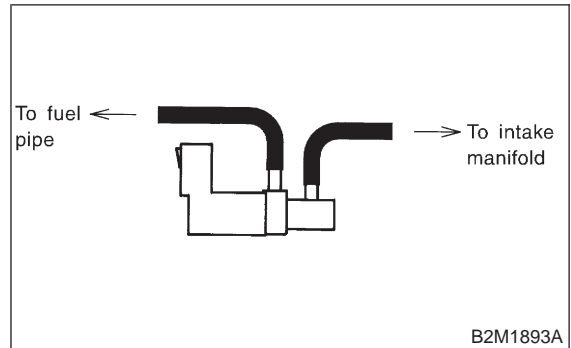
SERVICE PROCEDURE

4. Purge Control Solenoid Valve

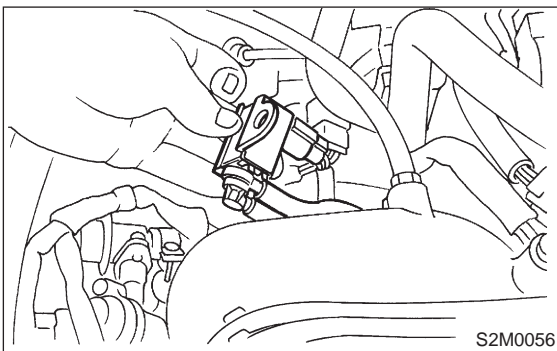
- 4) Remove bolt which installs purge control solenoid valve to intake manifold.



CAUTION:
Carefully connect the evaporation hoses.



- 5) Take out purge control solenoid valve.
6) Disconnect connector from purge control solenoid valve.
7) Disconnect vacuum hoses from purge control solenoid valve.



- 8) Installation is in the reverse order of removal.

Tightening torque:

15.7 ± 1.5 N·m (1.6 ± 0.15 kg·m, 11.6 ± 1.1 ft·lb)

