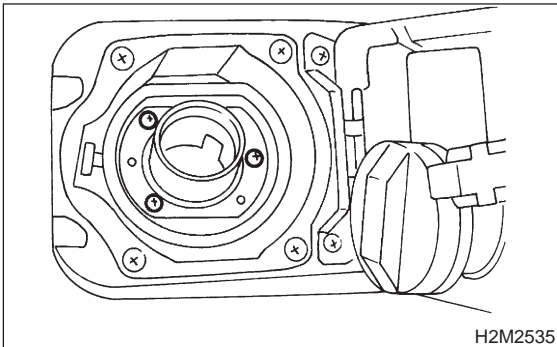


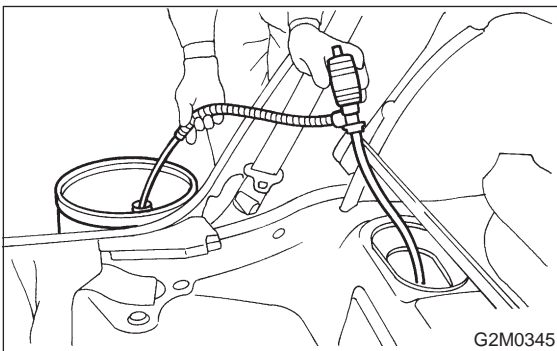
## 12. Shut Valve

### A: REMOVAL AND INSTALLATION

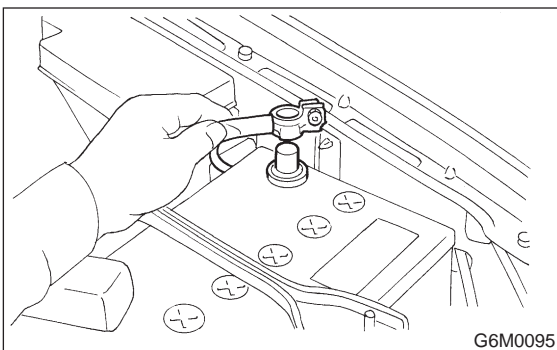
- 1) Release fuel pressure. <Ref. to 2-8 [W1B0].>
- 2) Open fuel flap lid, and remove fuel filler cap.



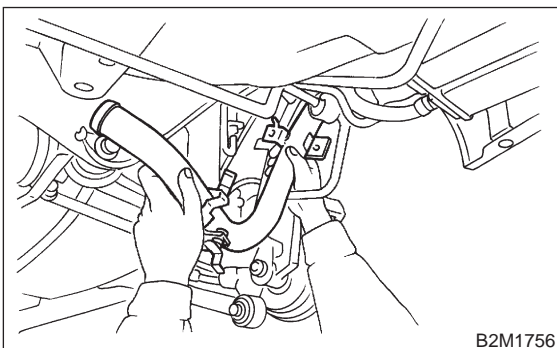
- 3) Drain fuel from fuel tank. <Ref. to 2-8 [W1C0].>



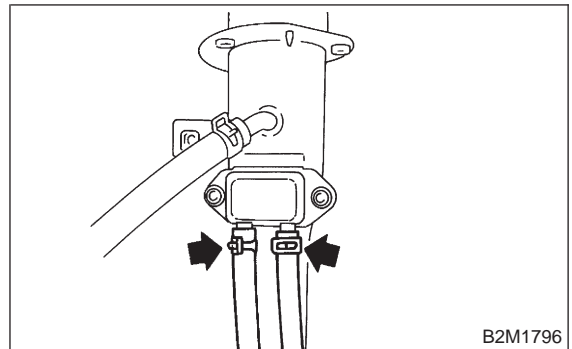
- 4) Disconnect battery ground cable.



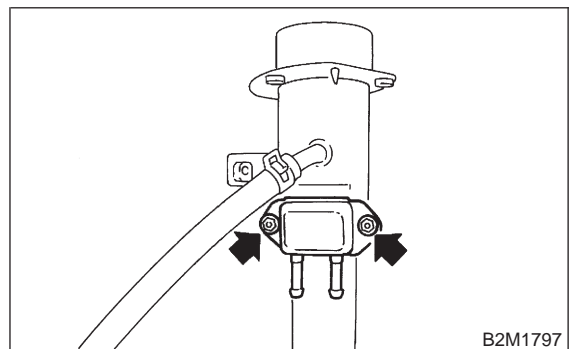
- 5) Remove fuel filler pipe. <Ref. to 2-8 [W1B0].>



- 6) Disconnect evaporation hoses from shut valve.



- 7) Remove shut valve from fuel filler pipe.



- 8) Installation is in the reverse order of removal.

**Tightening torque:**

**$4.4 \pm 1.5 \text{ N}\cdot\text{m}$  ( $0.45 \pm 0.15 \text{ kg}\cdot\text{m}$ ,  $3.3 \pm 1.1 \text{ ft}\cdot\text{lb}$ )**

