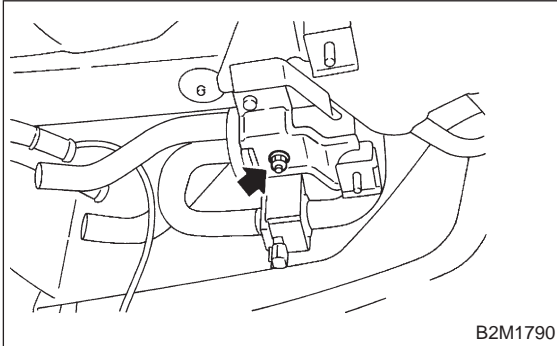


2-1 [W10A0]

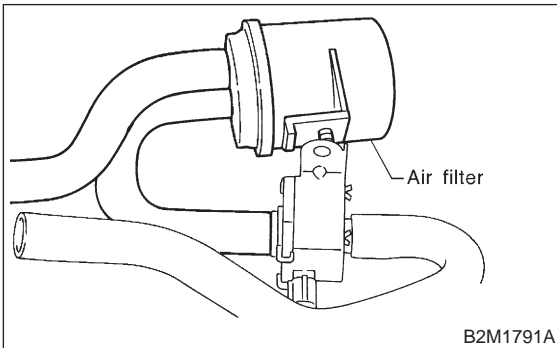
10. Sub Fuel Level Sensor

SERVICE PROCEDURE

6) Remove nut which installs air filter and drain valve brackets on body, and remove them as a unit.



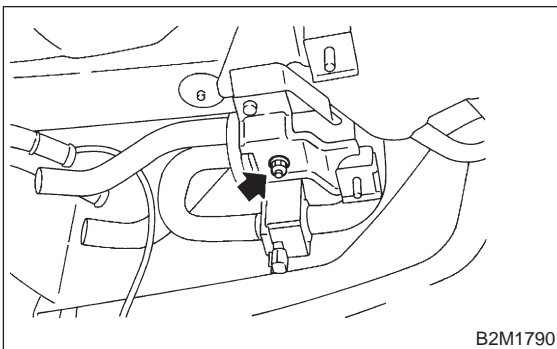
7) Disconnect evaporation hoses, and remove air filter.



8) Installation is in the reverse order of removal.

Tightening torque:

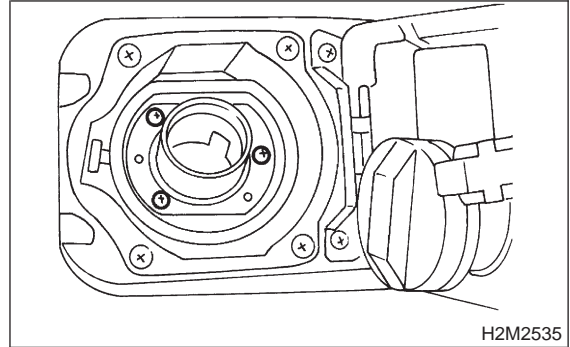
22.5 ± 7 N·m (2.3 ± 0.7 kg·m, 16.6 ± 5.1 ft·lb)



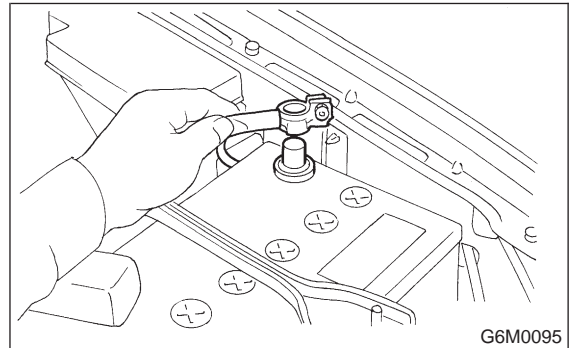
10. Sub Fuel Level Sensor

A: REMOVAL AND INSTALLATION

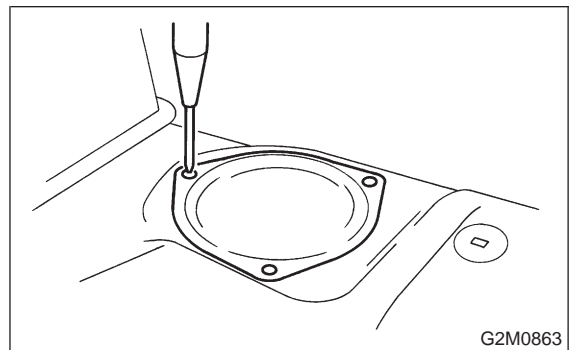
- 1) Release fuel pressure. <Ref. to 2-8 [W1B0].>
- 2) Open fuel flap lid, and remove fuel filler cap.



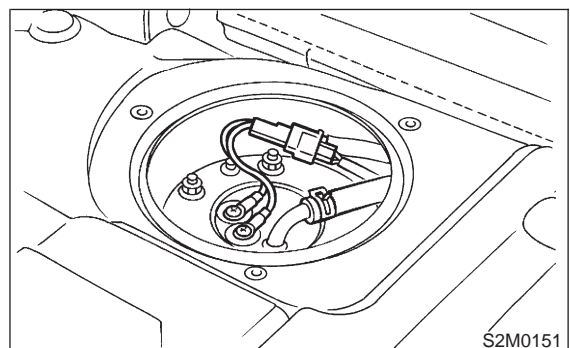
- 3) Disconnect battery ground cable.



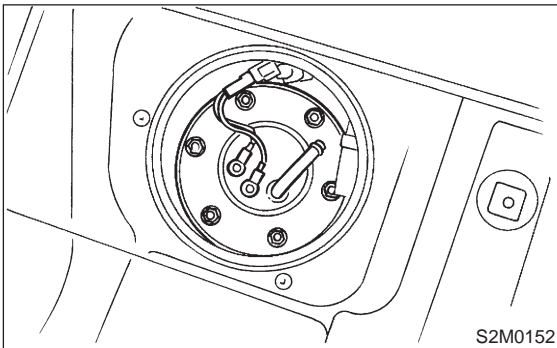
- 4) Remove service hole cover.



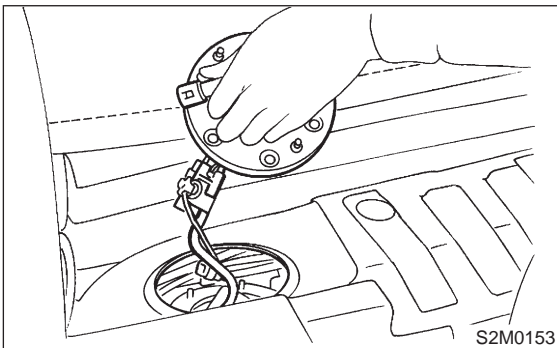
- 5) Disconnect connector from fuel sub meter, and disconnect jet pump hose.



6) Remove bolts which install sub fuel level sensor on fuel tank.



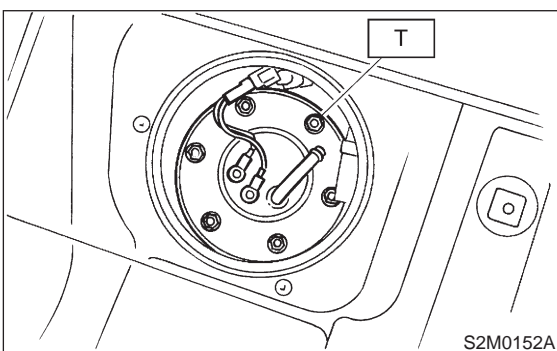
7) Remove sub fuel level sensor.



8) Installation is in the reverse order of removal.

Tightening torque:

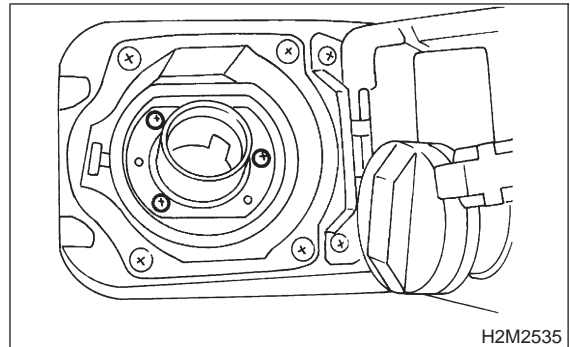
T: 4.4 ± 1.5 N·m (0.45 ± 0.15 kg·m, 3.3 ± 1.1 ft·lb)



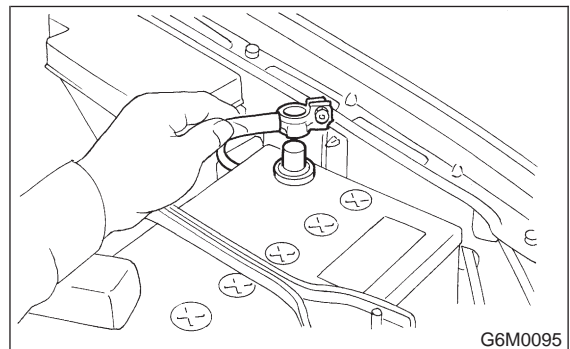
11. Vent Valve

A: REMOVAL AND INSTALLATION

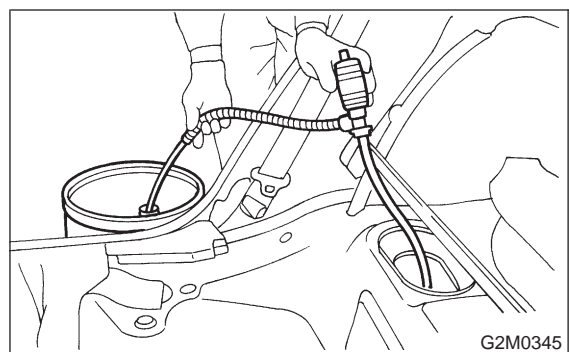
- 1) Release fuel pressure. <Ref. to 2-8 [W1B0].>
- 2) Open fuel flap lid, and remove fuel filler cap.



- 3) Disconnect battery ground cable.



- 4) Drain fuel from fuel tank. <Ref. to 2-8 [W1C0].>



- 5) Remove fuel tank. <Ref. to 2-8 [W2A0].>

