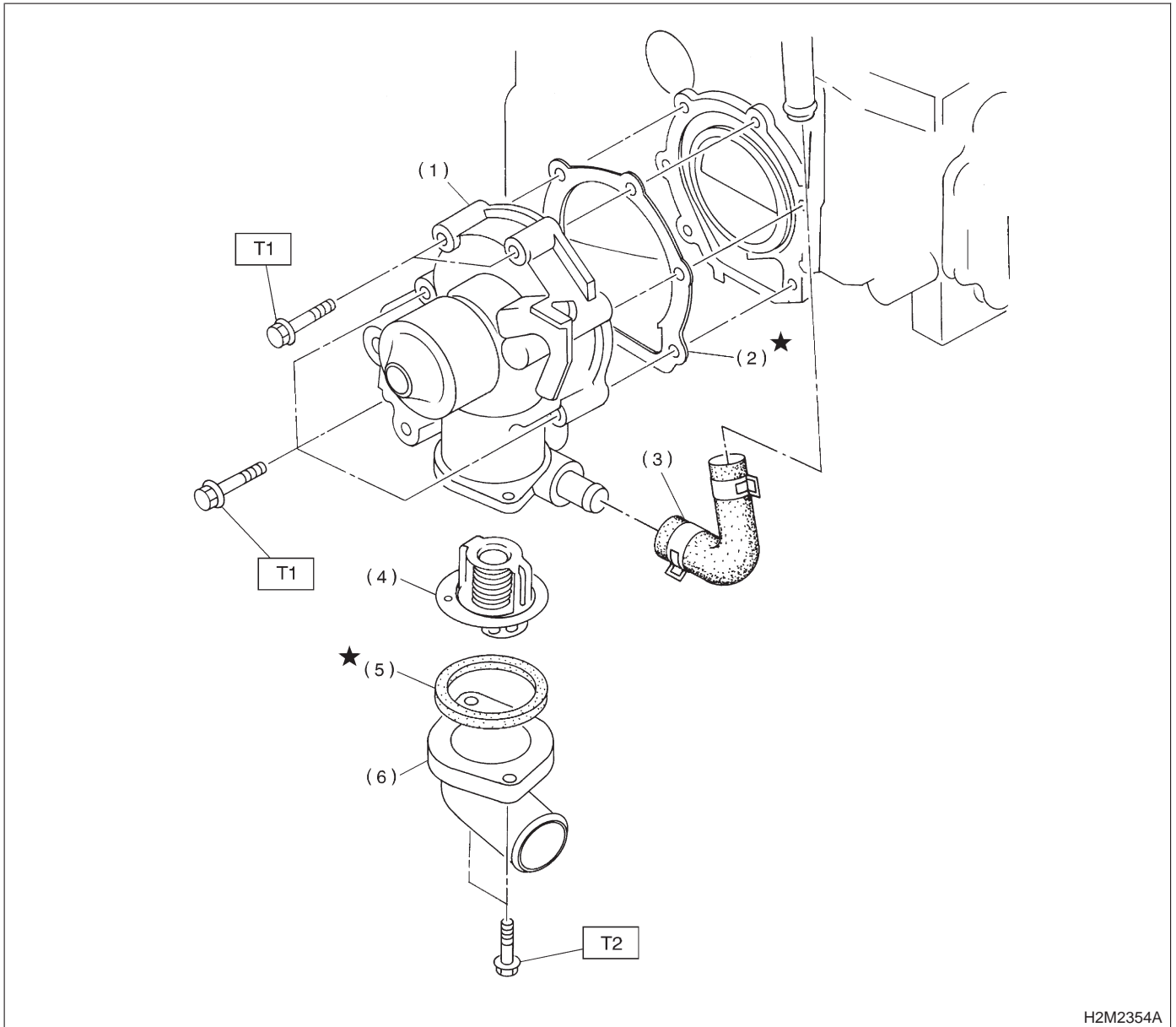


1. Water Pump



H2M2354A

- (1) Water pump ASSY
- (2) Gasket
- (3) Heater hose
- (4) Thermostat
- (5) Gasket
- (6) Thermostat case

**Tightening torque: N-m (kg-m, ft-lb)**

**T1: First  $10^{+4}/_{-0}$  ( $1.0^{+0.4}/_{-0}$ ,  
 $7.2^{+2.9}/_{-0}$ )**

**Second  $10^{+4}/_{-0}$  ( $1.0^{+0.4}/_{-0}$ ,  
 $7.2^{+2.9}/_{-0}$ )**

**T2:  $6.4 \pm 0.5$  ( $0.65 \pm 0.05$ ,  $4.7 \pm 0.4$ )**