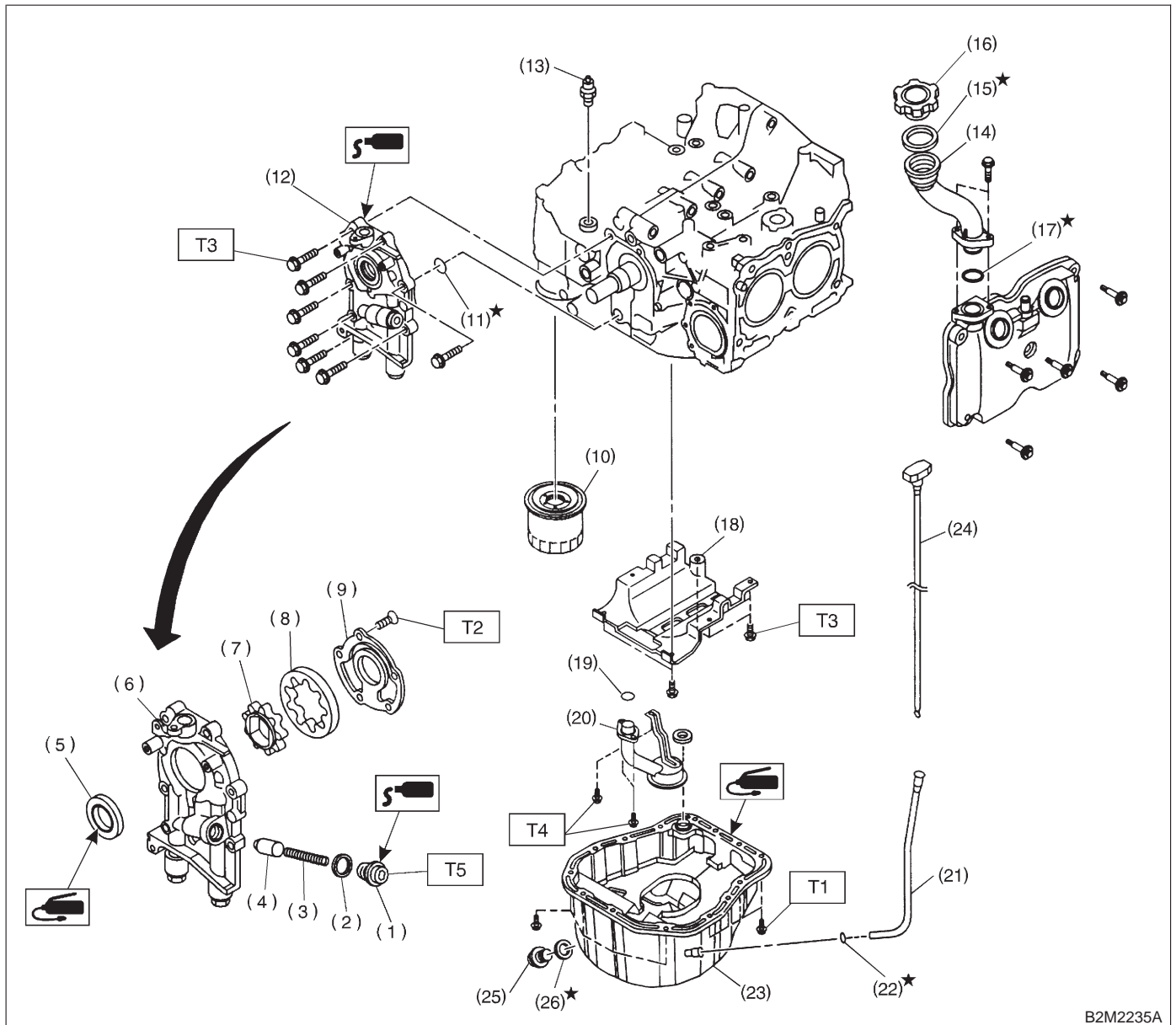


1. Lubrication System



B2M2235A

- | | |
|-------------------------|----------------------------|
| (1) Plug | (13) Oil pressure switch |
| (2) Washer | (14) Oil filler duct |
| (3) Relief valve spring | (15) O-ring |
| (4) Relief valve | (16) Oil filler cap |
| (5) Oil seal | (17) O-ring |
| (6) Oil pump case | (18) Baffle plate |
| (7) Inner rotor | (19) O-ring |
| (8) Outer rotor | (20) Oil strainer |
| (9) Oil pump cover | (21) Oil level gauge guide |
| (10) Oil filter | (22) O-ring |
| (11) O-ring | (23) Oil pan |
| (12) Oil pump ASSY | (24) Oil level gauge |

- | |
|-------------------|
| (25) Drain plug |
| (26) Metal gasket |

Tightening torque: N-m (kg-m, ft-lb)

- T1: 5 (0.5, 3.6)**
T2: 5^{+1}_{-0} (0.5^{+0.1}/₋₀, 3.6^{+0.7}/₋₀)
T3: 6.4 (0.65, 4.7)
T4: 10 (1.0, 7.2)
T5: 44.1 ± 3.4 (4.5 \pm 0.35, 32.5 \pm 2.5)