

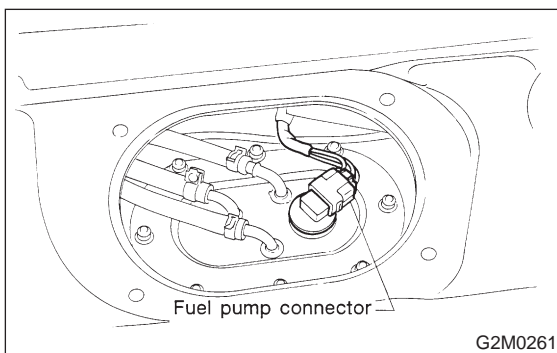
1. Engine

A: GENERAL PRECAUTION

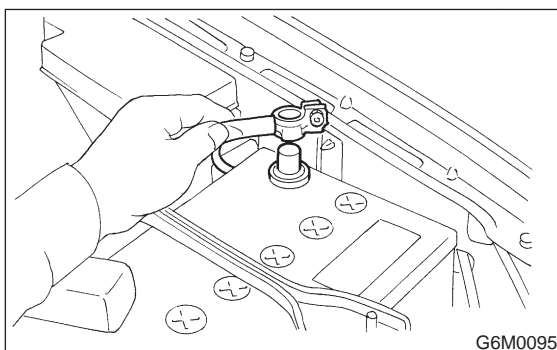
- 1) Remove or install engine in an area where chain hoists, lifting devices, etc. are available for ready use.
- 2) Be sure not to damage coated surfaces of body panels with tools or stain seats and windows with coolant or oil. Place a cover over fenders, as required, for protection.
- 3) Prior to starting work, prepare the following: Service tools, clean cloth, containers to catch coolant and oil, wire ropes, chain hoist, transmission jacks, etc.
- 4) Lift-up or lower the vehicle when necessary. Make sure to support the correct positions. <Ref. to 1-3 [G7B0].>

B: REMOVAL

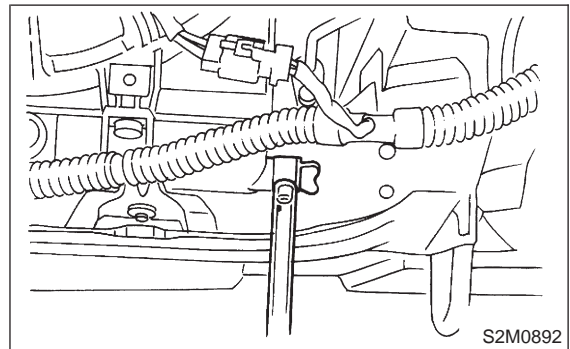
- 1) Set the vehicle on lift arms.
- 2) Open front hood fully and support with stay.
- 3) Release fuel pressure.
 - (1) Disconnect fuel pump connector.



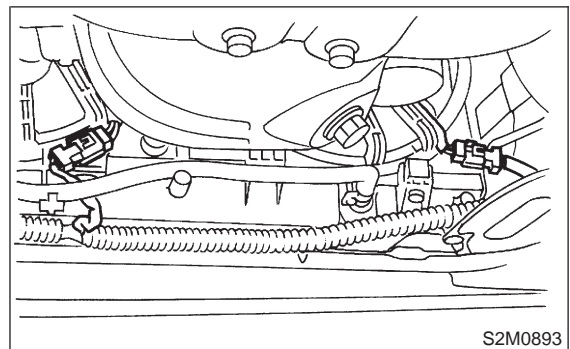
- (2) Start the engine, and run until it stalls.
- (3) After the engine stalls, crank it for five seconds more.
- (4) Turn ignition switch to "OFF".
- (5) Remove filler cap.
- 4) Disconnect battery cables and remove battery from vehicle.



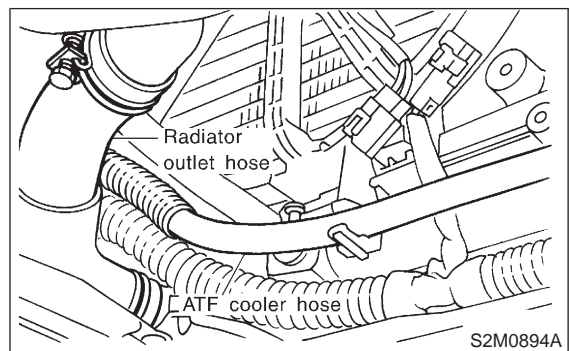
- 5) Drain coolant. Set container under the vehicle, and remove drain cock from radiator.



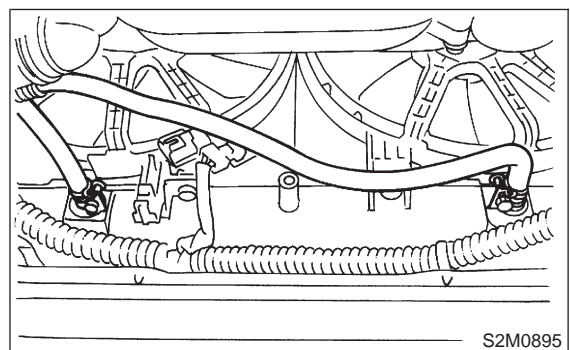
- 6) Remove cooling system.
 - (1) Disconnect connectors from radiator main fan and sub fan motors.



- (2) Disconnect radiator outlet hose from thermostat cover, and remove ATF cooler hose from clip of radiator.

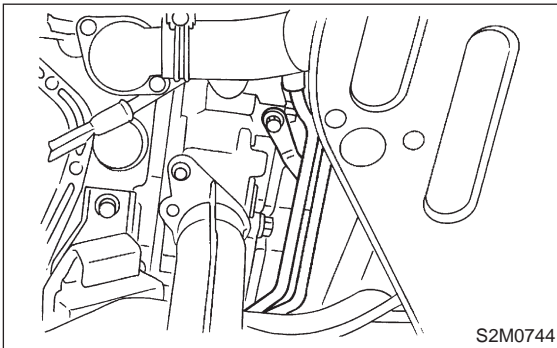


- (3) Disconnect ATF cooler hoses from radiator.

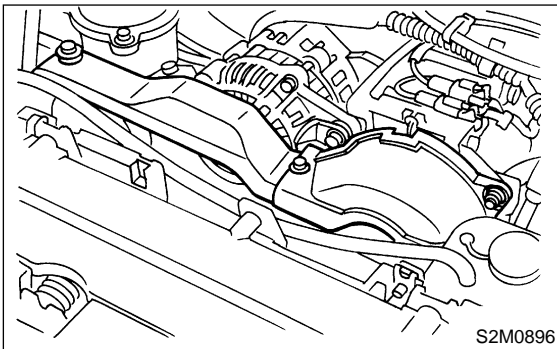


1. Engine

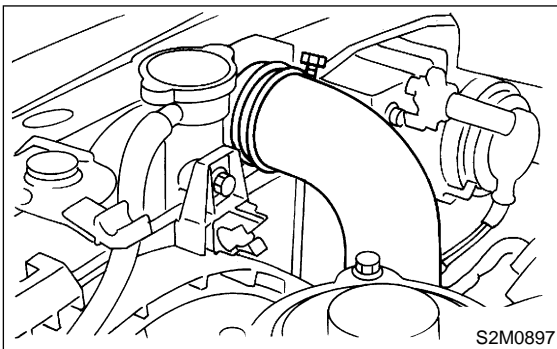
(4) Remove ATF cooler pipe from cylinder head.



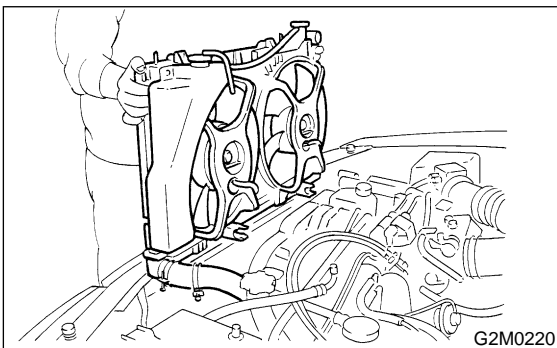
(5) Remove V-belt cover.



(6) Disconnect radiator inlet hose from radiator.



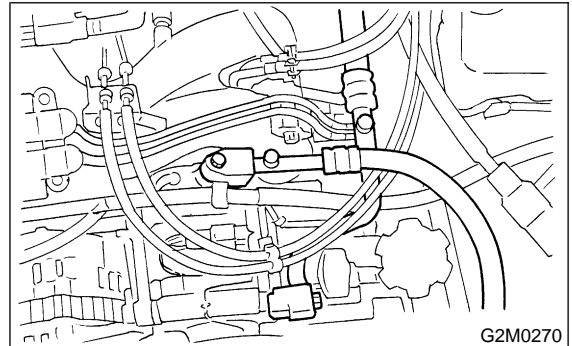
(7) Remove radiator upper bracket, and remove radiator assembly from vehicle.



7) Collect refrigerant, and remove pressure hoses. (With A/C)

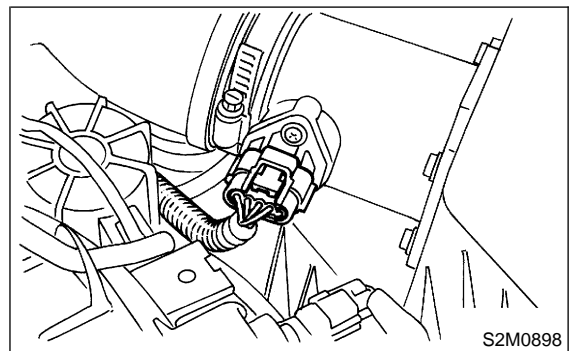
(1) Place and connect the attachment hose to the refrigerant recycle system.

(2) Collect refrigerant from A/C system.
(3) Disconnect A/C flexible hoses from A/C compressor.



8) Remove air intake system.

(1) Disconnect connector from mass air flow sensor. (Except 2200 cc California spec. vehicles)

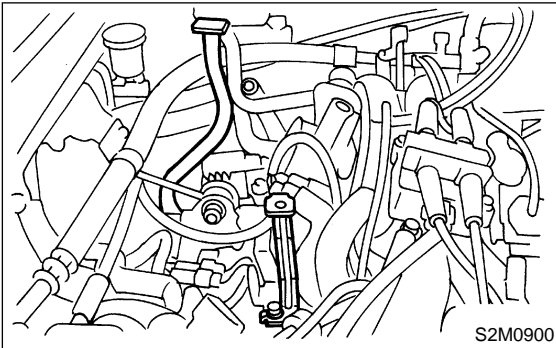


(2) Remove air intake duct with air cleaner upper cover, and remove air cleaner element. (Except 2200 cc California spec. vehicles) <Ref. to 2-7 [W1A0].> and <Ref. to 2-7 [W18A0].>

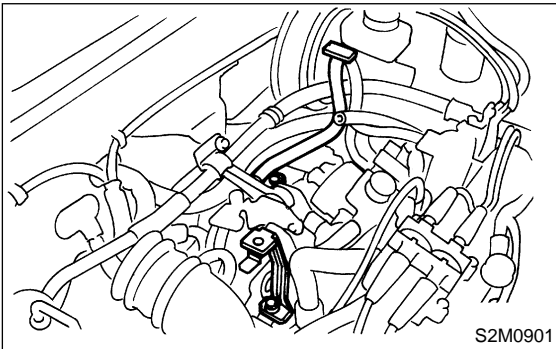
(3) Remove air cleaner case and duct. (2200 cc California spec. vehicles) <Ref. to 2-7 [W1A0].>

9) Remove chamber stay.

- **MT vehicles**



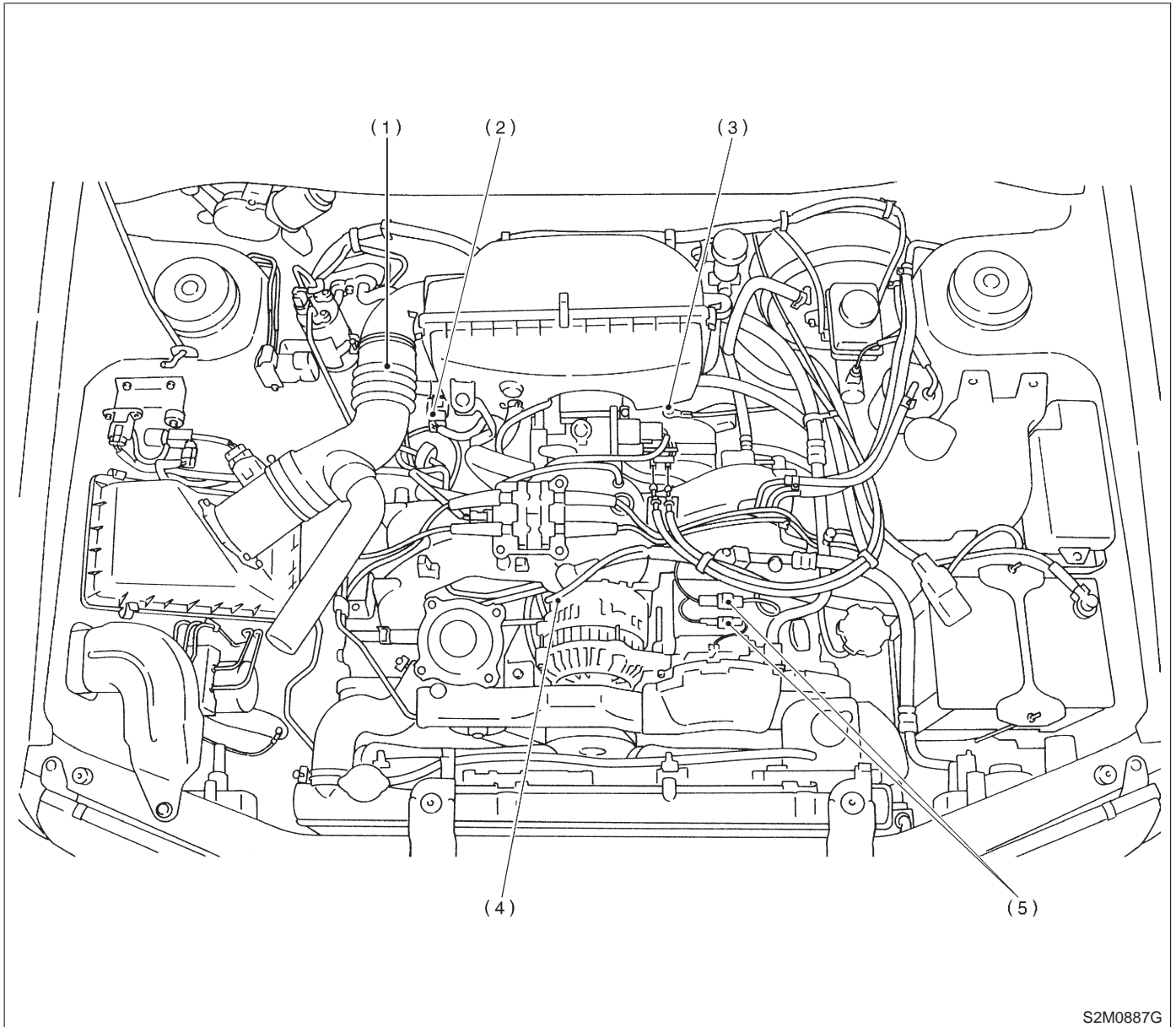
- **AT vehicles**



SERVICE PROCEDURE

10) Disconnect connectors, cables and hoses.

(1) Disconnect the following connectors.

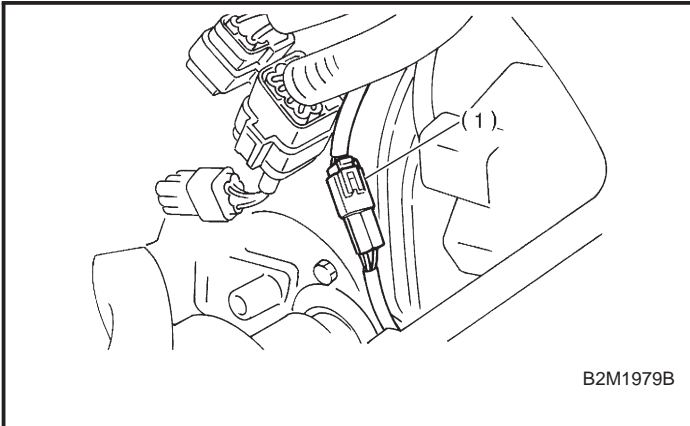


S2M0887G

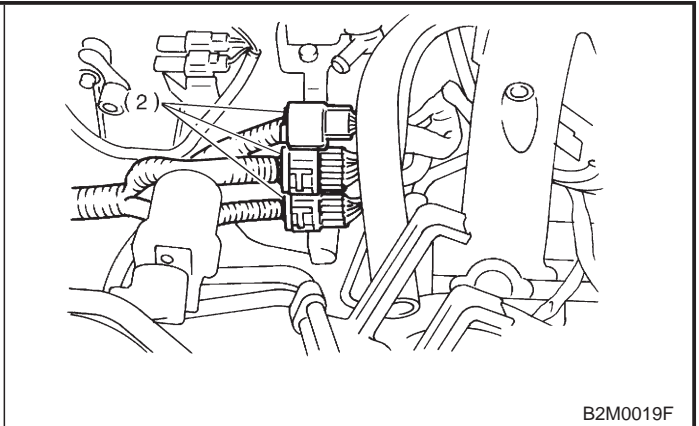
- (1) Front oxygen sensor connector
- (2) Engine harness connectors
- (3) Engine ground terminal stay

- (4) Alternator connector and terminal

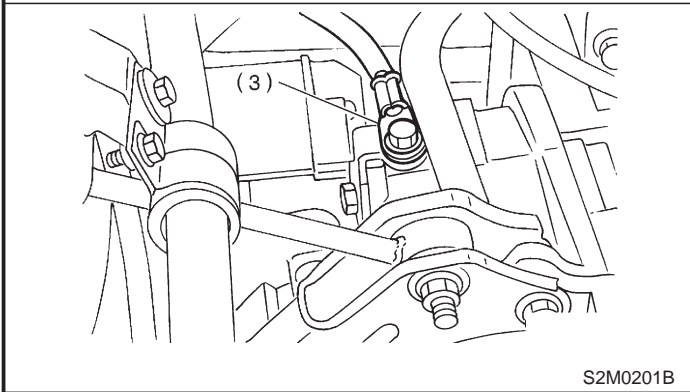
- (5) A/C compressor connectors (With A/C)



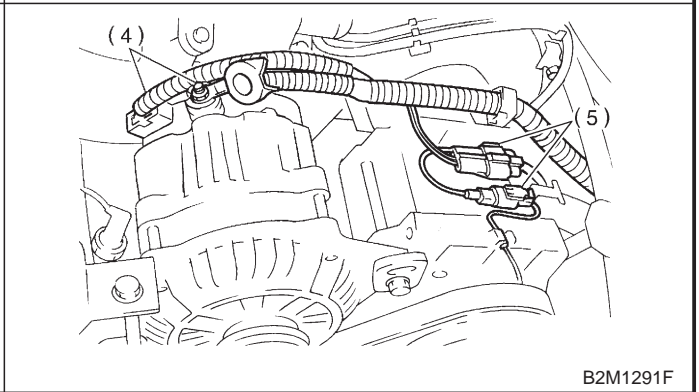
B2M1979B



B2M0019F

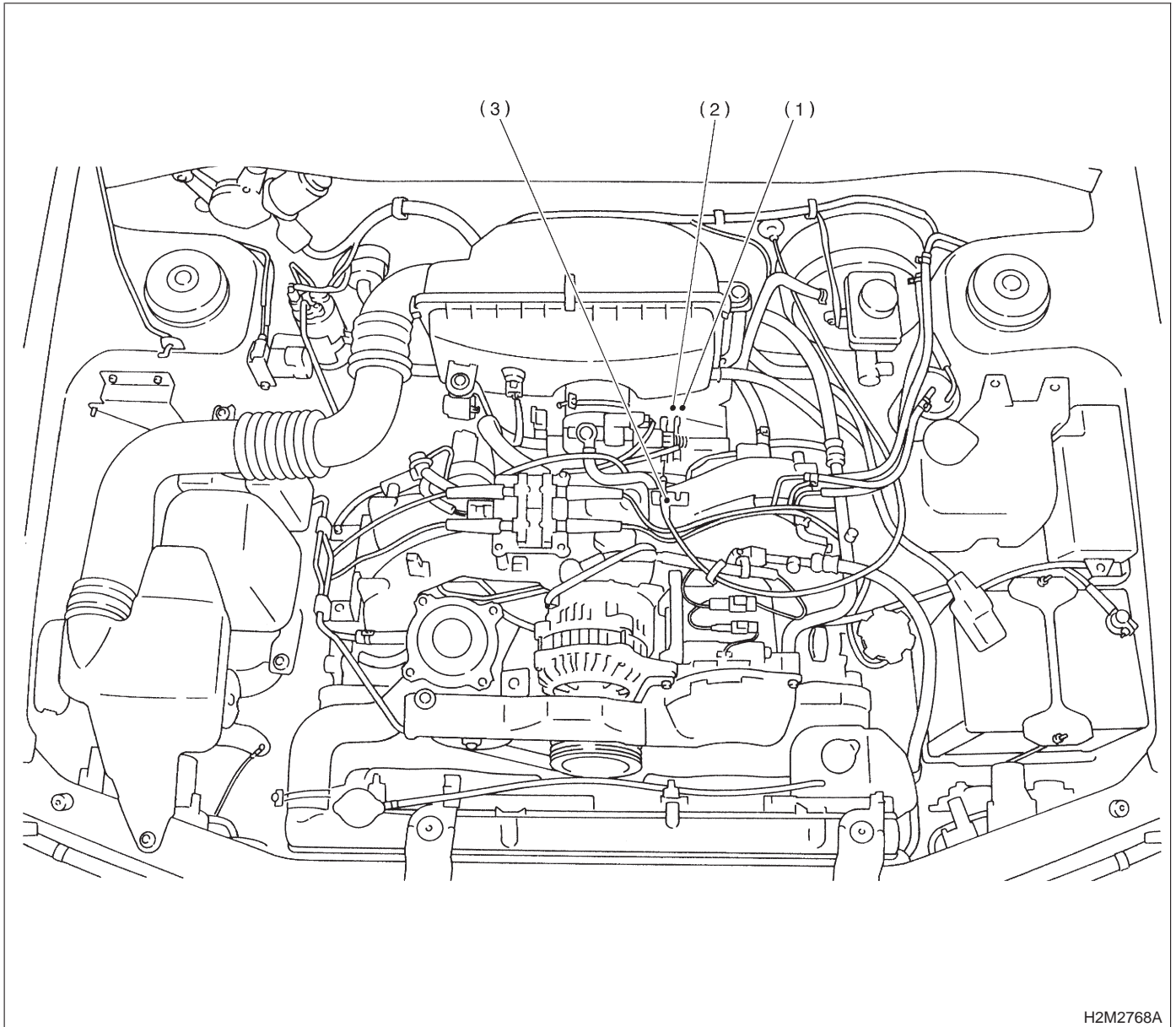


S2M0201B



B2M1291F

(2) Disconnect the following cables.

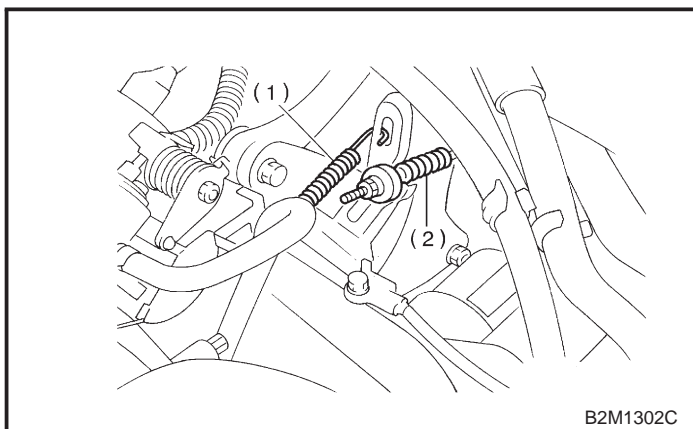


H2M2768A

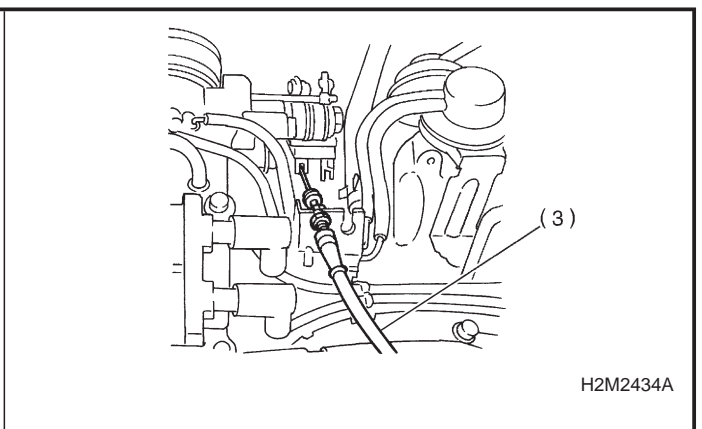
(1) Clutch release spring (2200 cc MT vehicle)

(2) Clutch cable (2200 cc MT vehicle)

(3) Accelerator cable

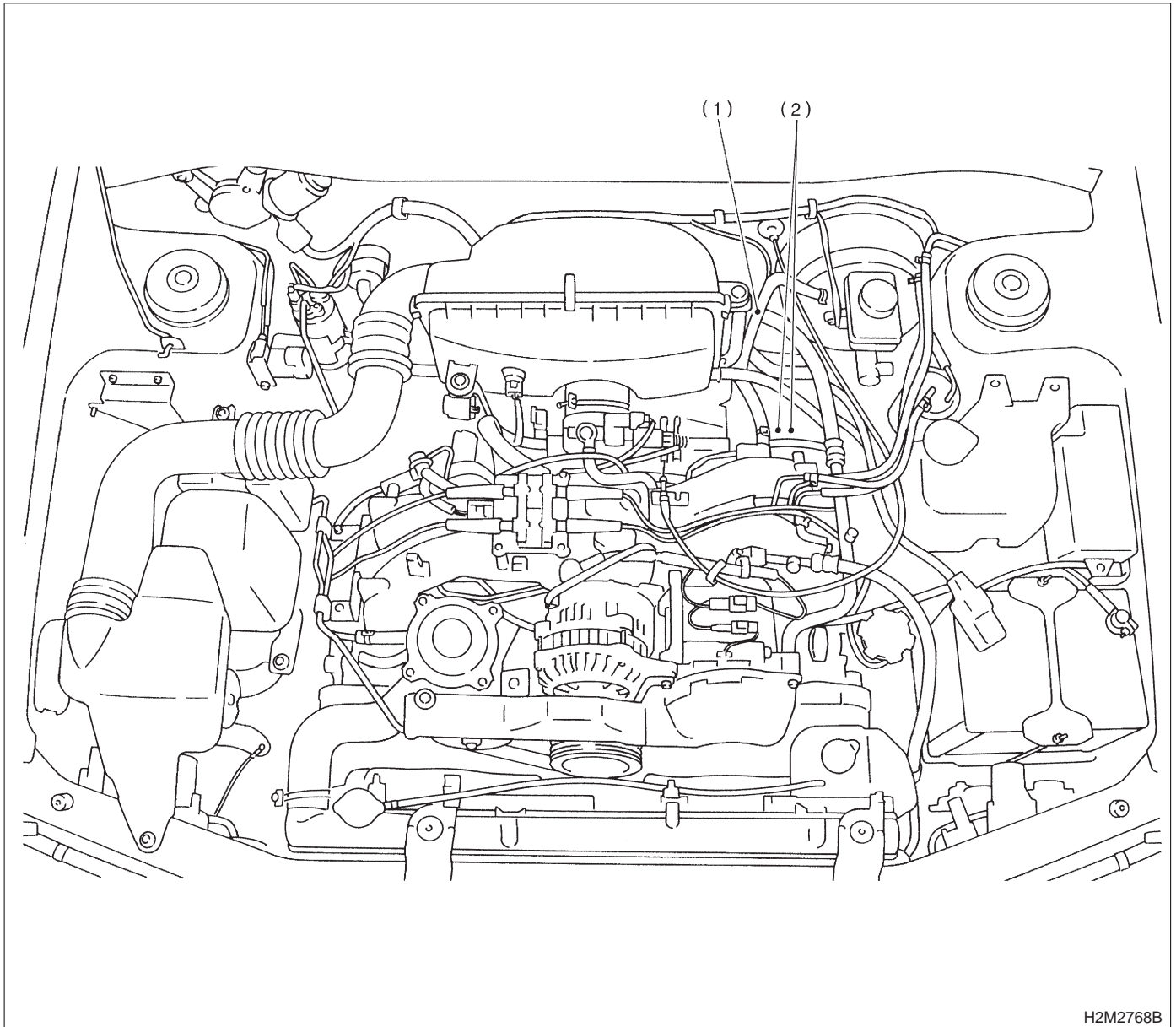


B2M1302C



H2M2434A

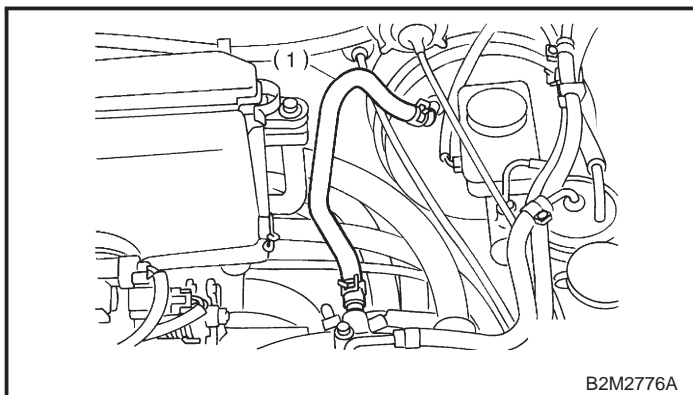
(3) Disconnect the following hoses.



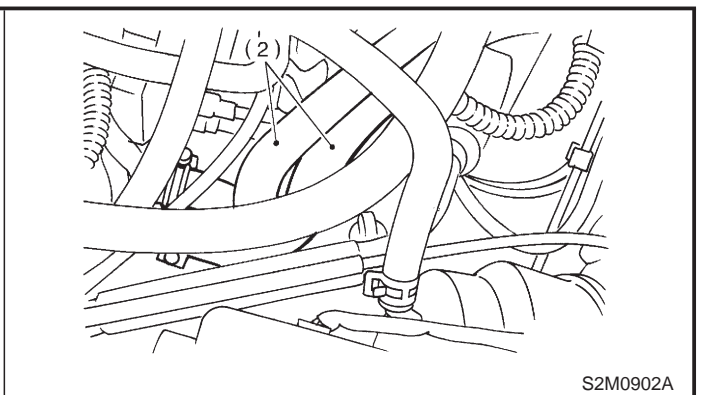
H2M2768B

(1) Brake booster vacuum hose

(2) Heater inlet and outlet hoses



B2M2776A

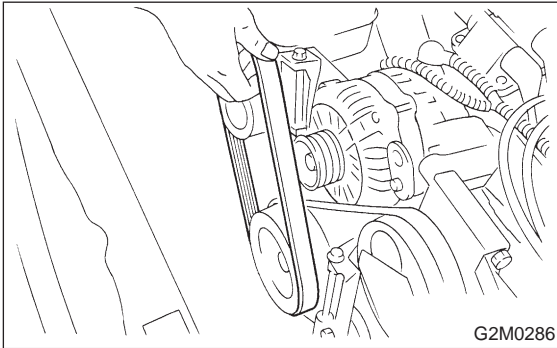


S2M0902A

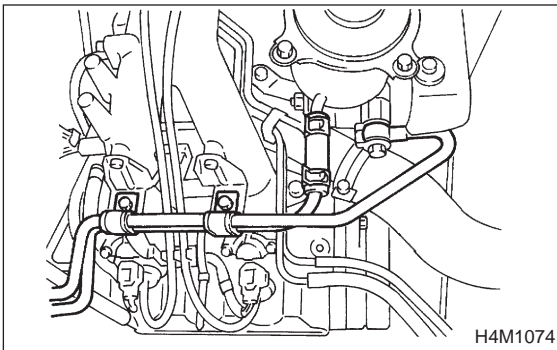
11) Remove power steering pump from bracket.

1. Engine

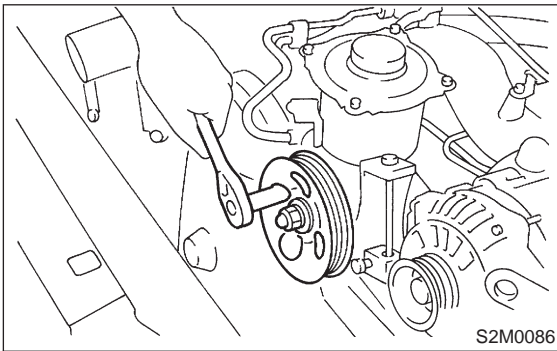
(1) Loosen lock bolt and slider bolt, and remove front side V-belt.



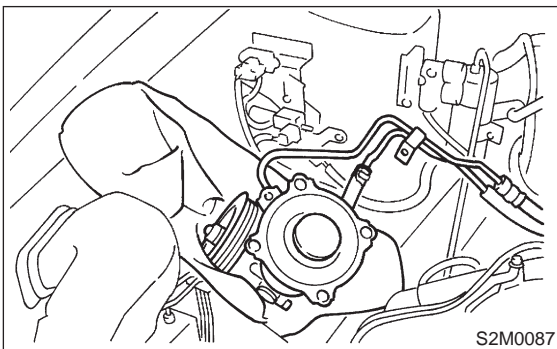
(2) Remove pipe with bracket from intake manifold.



(3) Remove bolts which install power steering pump from bracket.

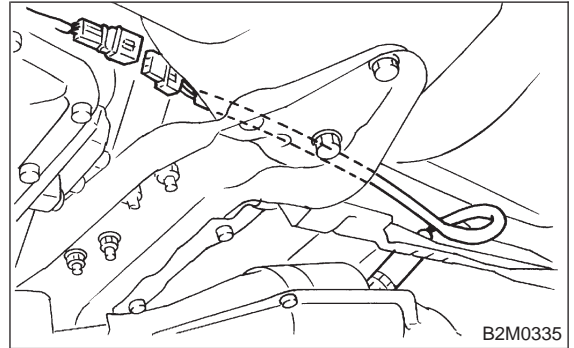


(4) Place power steering pump on the right side wheel apron.

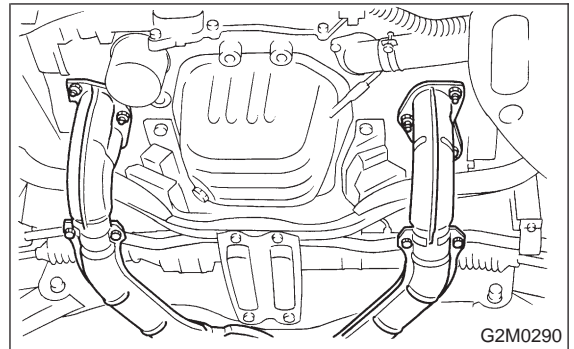


12) Remove front exhaust pipe and center exhaust pipe.

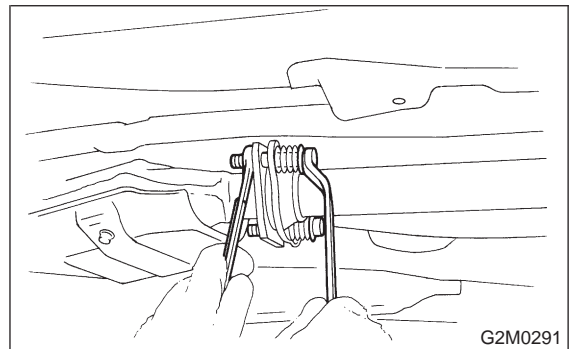
(1) Lift-up the vehicle.
(2) Disconnect connector from rear oxygen sensor.



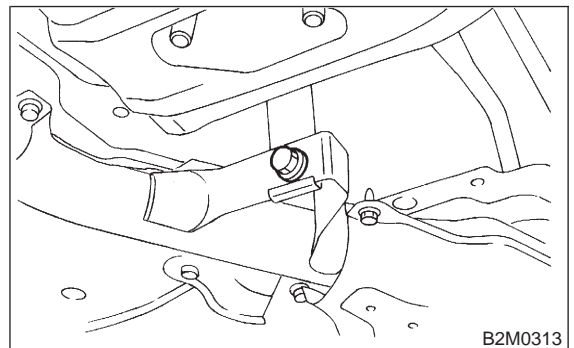
(3) Remove nuts which install front exhaust pipe onto engine.



(4) Separate center exhaust pipe from rear exhaust pipe.



(5) Remove bolt which installs center exhaust pipe on hunger bracket.

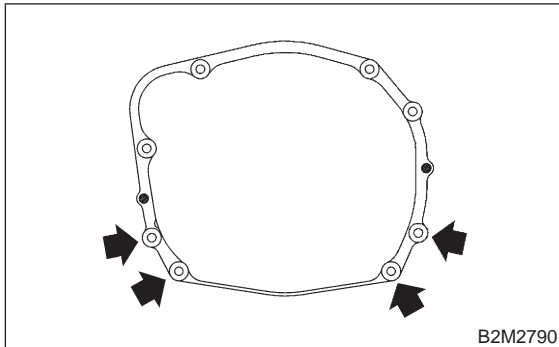


(6) Take off front and center exhaust pipes.

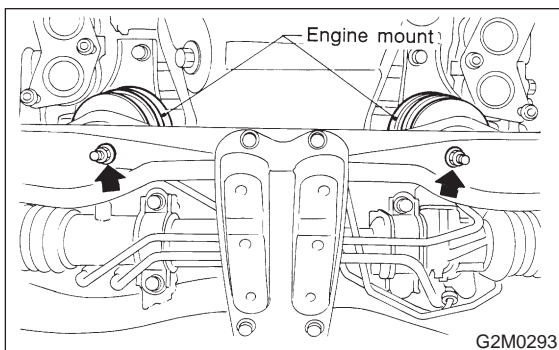
CAUTION:

Exhaust pipe will drop when all bolts are removed. So, hold it when removing the last bolt.

13) Remove nuts which hold lower side of transmission to engine.



14) Remove nuts which install front cushion rubber onto front crossmember.



15) Separate torque converter from drive plate.
(AT model)

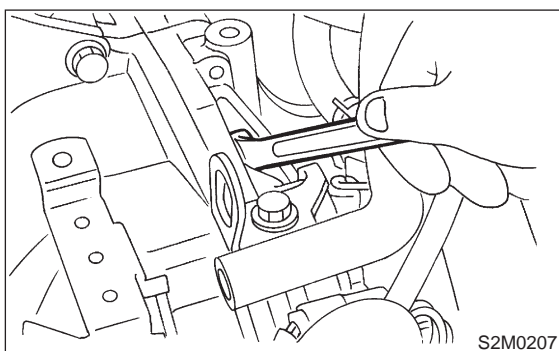
- (1) Lower the vehicle.
- (2) Remove service hole plug.
- (3) Remove bolts which hold torque converter to drive plate.
- (4) Remove other bolts while rotating the engine using ST.

2200 cc vehicles:

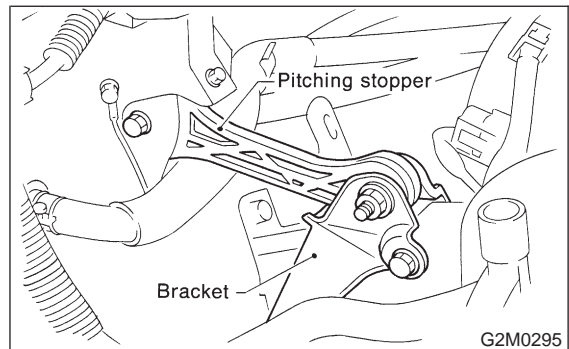
ST 499977300 CRANK PULLEY WRENCH

2500 cc vehicles:

ST 499977100 CRANK PULLEY WRENCH



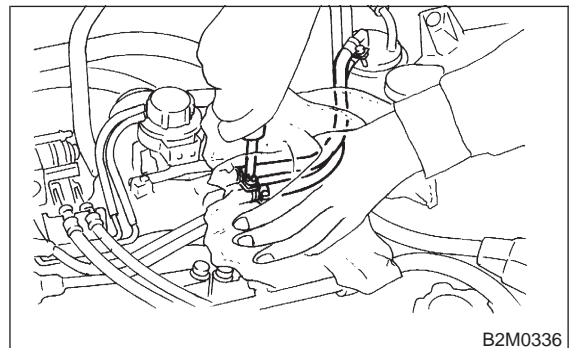
16) Remove pitching stopper.



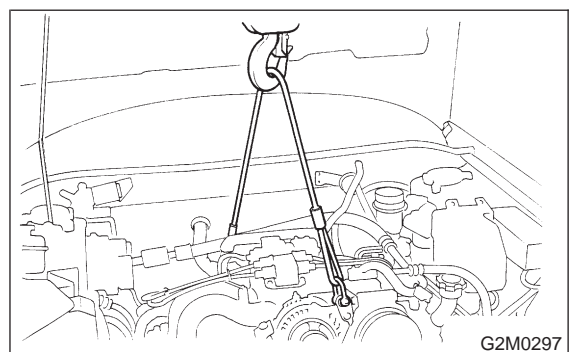
17) Disconnect fuel delivery hose, return hose and evaporation hose.

CAUTION:

- Disconnect hose with its end wrapped with cloth to prevent fuel from splashing.
- Catch fuel from hose into container.



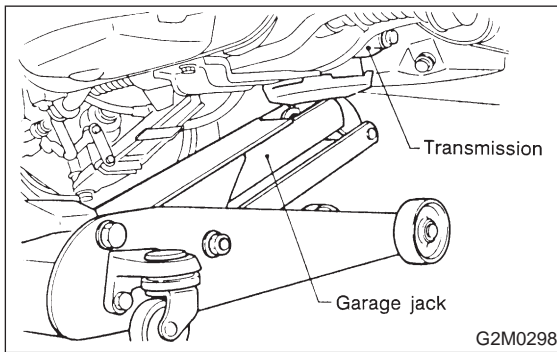
18) Support engine with a lifting device and wire ropes.



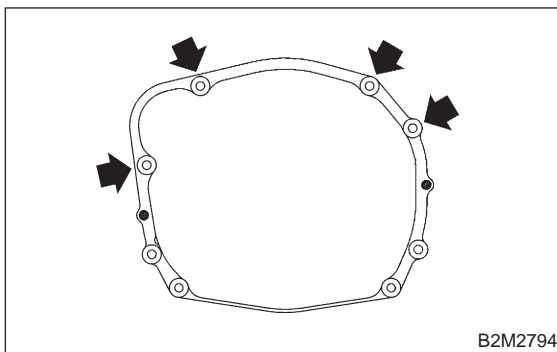
19) Support transmission with a garage jack.

CAUTION:

Before moving engine away from transmission, check to be sure no work has been overlooked. Doing this is very important in order to facilitate re-installation and because transmission lowers under its own weight.



20) Remove bolts which holds upper side of transmission to engine.

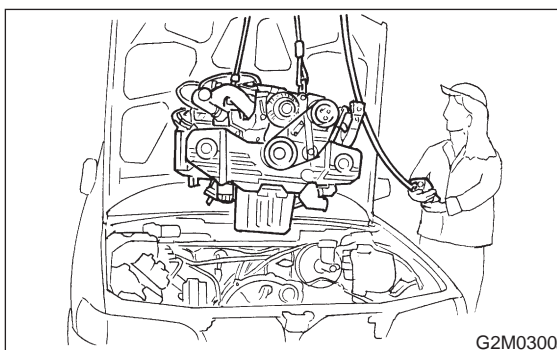


21) Remove engine from vehicle.

- (1) Slightly raise engine.
- (2) Raise transmission with garage jack.
- (3) Move engine horizontally until mainshaft is withdrawn from clutch cover.
- (4) Slowly move engine away from engine compartment.

CAUTION:

Be careful not to damage adjacent parts or body panels with crank pulley, oil pressure gauge, etc.



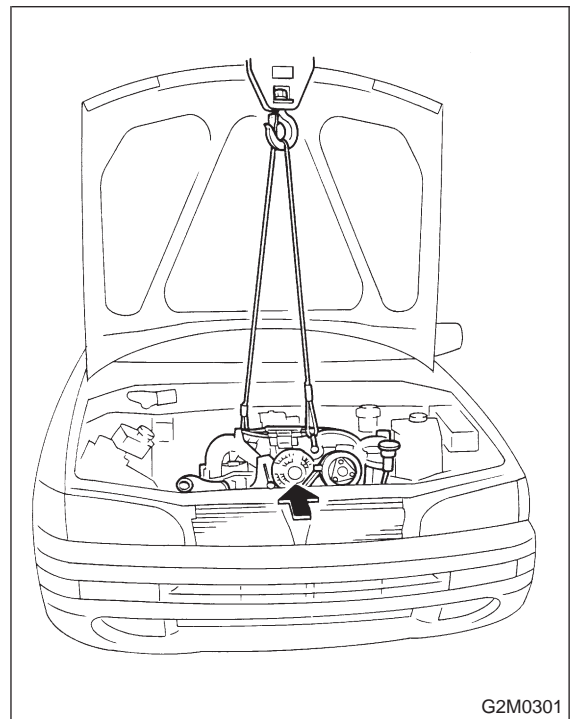
C: INSTALLATION

1) Install engine onto transmission.

- (1) Position engine in engine compartment and align it with transmission.

CAUTION:

Be careful not to damage adjacent parts or body panels with crank pulley, oil pressure gauge, etc.

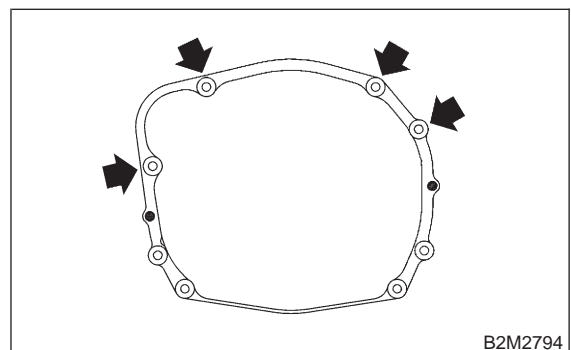


(2) Apply a small amount of grease to splines of mainshaft.

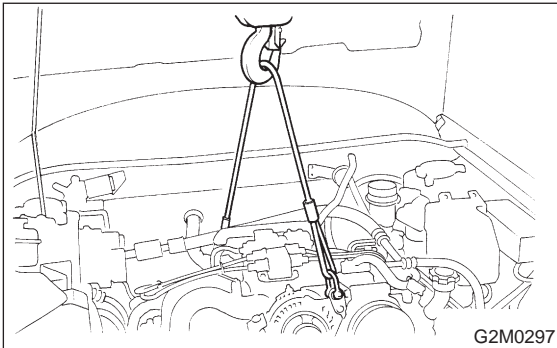
2) Tighten bolts which hold upper side of transmission to engine.

Tightening torque:

50±4 N-m (5.1±0.4 kg-m, 36.9±2.9 ft-lb)



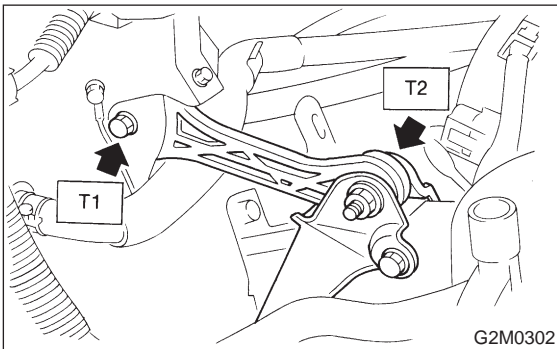
3) Remove lifting device and wire ropes.



4) Remove garage jack.
5) Install pitching stopper.

Tightening torque:

T1: 57±10 N·m (5.8±1.0 kg·m, 42±7 ft·lb)
T2: 49±5 N·m (5.0±0.5 kg·m, 36.2±3.6 ft·lb)



6) Install torque converter onto drive plate. (AT model)

- (1) Tighten bolts which hold torque converter to drive plate.
- (2) Tighten other bolts while rotating the engine by using ST.

2200 cc vehicles:

ST 499977300 CRANK PULLEY WRENCH

2500 cc vehicles:

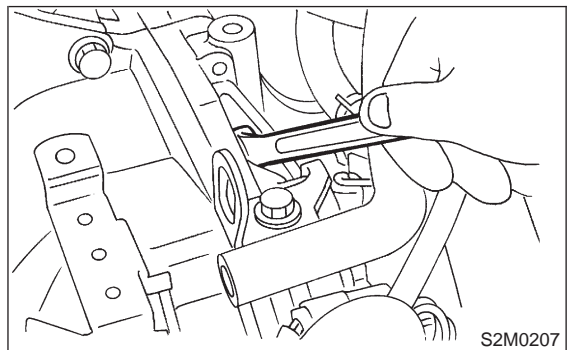
ST 499977100 CRANK PULLEY WRENCH

CAUTION:

Be careful not to drop bolts into torque converter housing.

Tightening torque:

25±2 N·m (2.5±0.2 kg·m, 18.1±1.4 ft·lb)



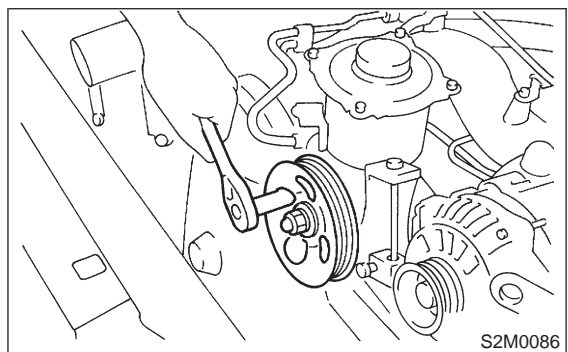
(3) Clog plug onto service hole.

7) Install power steering pump on bracket.

- (1) Install power steering pump on bracket, and tighten bolts.

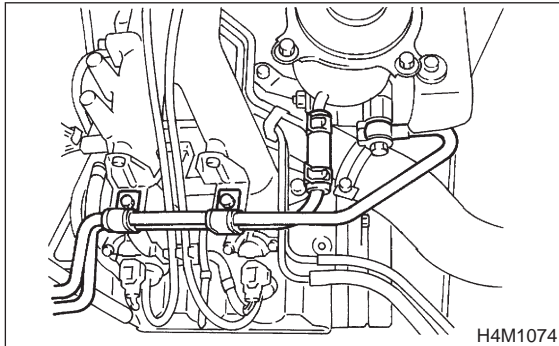
Tightening torque:

39±10 N·m (4.0±1.0 kg·m, 29±7 ft·lb)

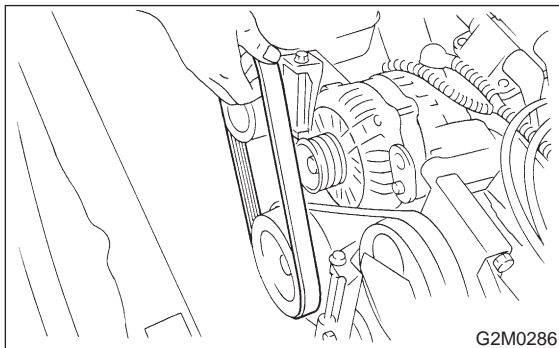


1. Engine

(2) Install power steering pipe bracket on right side intake manifold, and install spark plug codes.



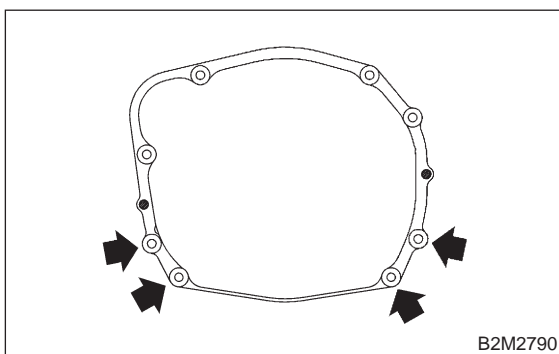
(3) Install front side V-belt, and adjust it.
<Ref. to 1-5 [G2B0].>



8) Tighten nuts which hold lower side of transmission to engine.

Tightening torque:

50 ± 4 N·m (5.1 ± 0.4 kg·m, 36.9 ± 2.9 ft·lb)



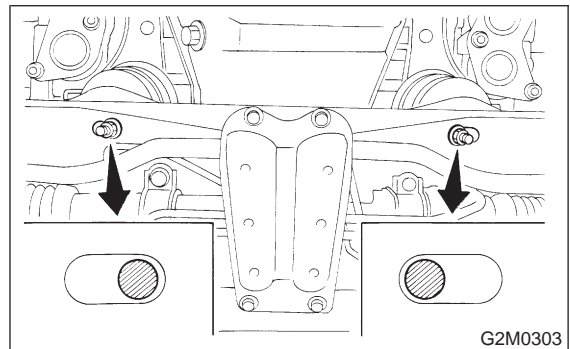
9) Tighten nuts which install front cushion rubber onto crossmember.

Tightening torque:

69 ± 15 N·m (7.0 ± 1.5 kg·m, 51 ± 11 ft·lb)

CAUTION:

Be sure to tighten front cushion rubber mounting bolts in the innermost elliptical hole in the front crossmember.



10) Install front exhaust pipe and center exhaust pipe. <Ref. to 2-9 [W1B0].>

11) Connect rear oxygen sensor connector.

12) Connect the following hoses.

- (1) Fuel delivery hose, return hose and evaporation hose
- (2) Heater inlet and outlet hoses
- (3) Brake booster vacuum hose

13) Connect the following connectors.

- (1) Engine ground terminal
- (2) Engine harness connectors
- (3) Front oxygen sensor connector
- (4) Alternator connector and terminal
- (5) A/C compressor connectors (With A/C)

14) Connect the following cables.

- (1) Accelerator cable
- (2) Clutch cable (2200 cc MT vehicle)
- (3) Clutch release spring (2200 cc MT vehicle)

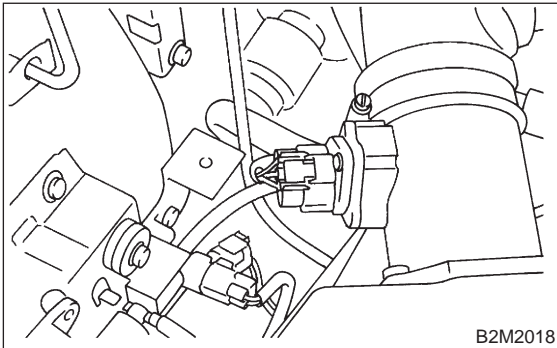
CAUTION:

After connecting each cable, adjust them.

15) Install air intake system.

- (1) Install air cleaner element.
- (2) Install air intake duct with air cleaner upper cover. (Except 2200 cc California spec. vehicles) <Ref. to 2-7 [W1A0].> and <Ref. to 2-7 [W18A0].>
- (3) Install air intake chamber.

(4) Connect connector to mass air flow sensor.



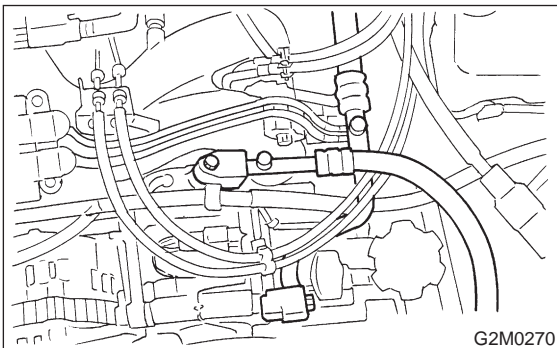
B2M2018

(5) Install air intake duct with air cleaner case. (2200 cc California spec. vehicles) <Ref. to 2-7 [W1A0].>

16) Install A/C flexible hoses. (With A/C) <Ref. to 4-7 [W16A0].>

CAUTION:
Use new O-rings.

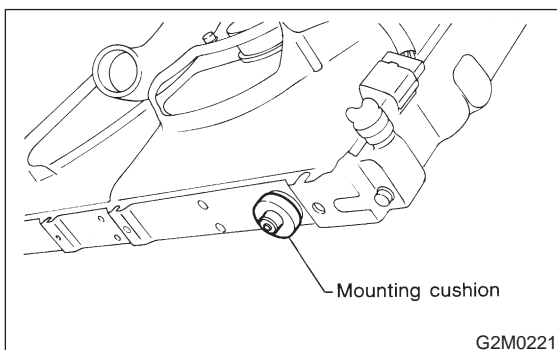
Tightening torque:
 $25 \pm 7 \text{ N}\cdot\text{m}$ ($2.5 \pm 0.7 \text{ kg}\cdot\text{m}$, $18.1 \pm 5.1 \text{ ft}\cdot\text{lb}$)



G2M0270

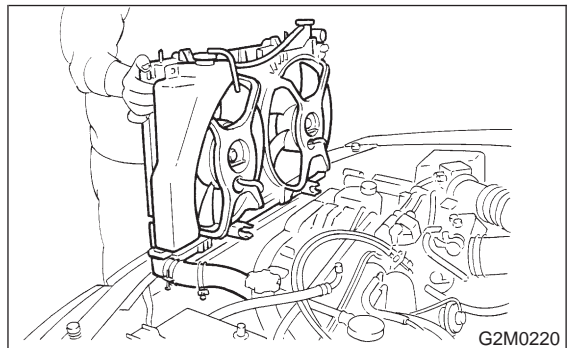
17) Install cooling system.

(1) Attach radiator mounting cushions to pins on lower side of radiator.



G2M0221

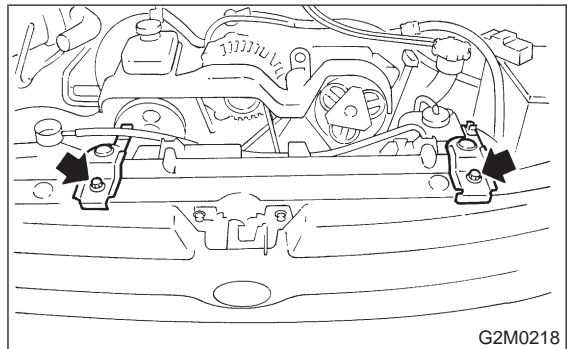
(2) Fit cushions on lower side of radiator, into holes on body side and install radiator.



G2M0220

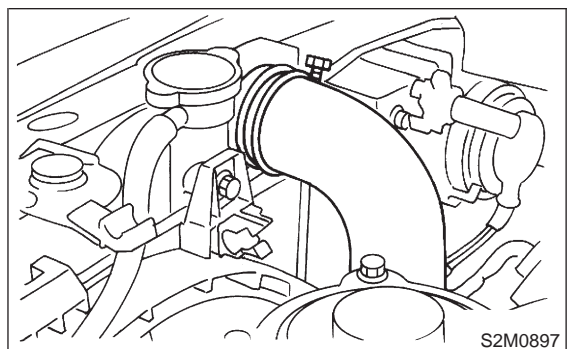
(3) Install radiator brackets and tighten bolts.

Tightening torque:
 $13.7 \pm 1.5 \text{ N}\cdot\text{m}$ ($1.4 \pm 0.15 \text{ kg}\cdot\text{m}$, $10.1 \pm 1.1 \text{ ft}\cdot\text{lb}$)



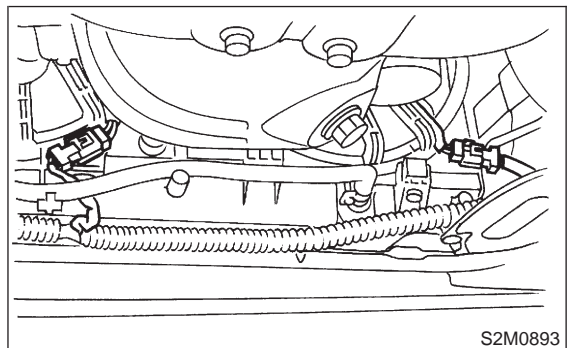
G2M0218

(4) Connect radiator inlet hose.



S2M0897

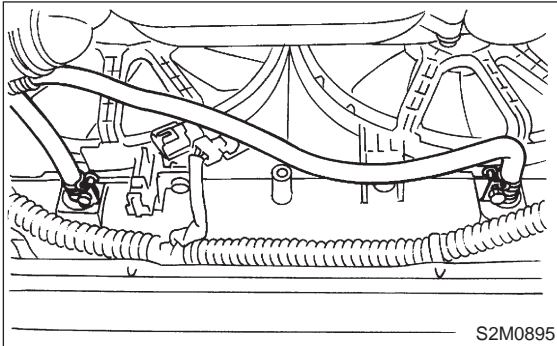
(5) Connect radiator fan motor connector.



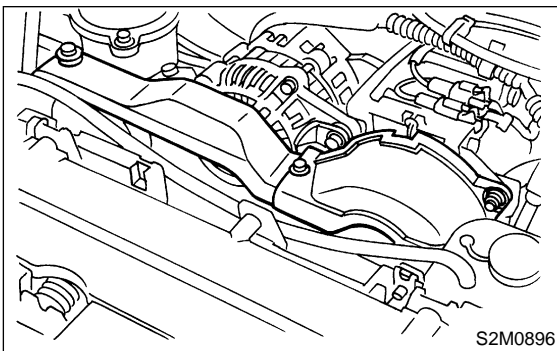
S2M0893

(6) Connect radiator outlet hose.

(7) Connect ATF cooler hoses. (AT vehicles)



(8) Install ATF cooler pipe to cylinder head.
(2200 cc AT vehicle)
(9) Install V-belt cover.



18) Install battery in the vehicle, and connect cables.
19) Fill coolant.
<Ref. to 2-5 [W1B0].>

Engine coolant capacity:
5.8 l (6.1 US qt, 5.1 Imp qt)

20) Check ATF level and correct if necessary. (AT model)
<Ref. to 3-2 [W1B1].>
21) Charge A/C system with refrigerant.
<Ref. to 4-7 [W700].>
22) Remove front hood stay, and close front hood.
23) Remove the vehicle from lift arms.

2. Transmission

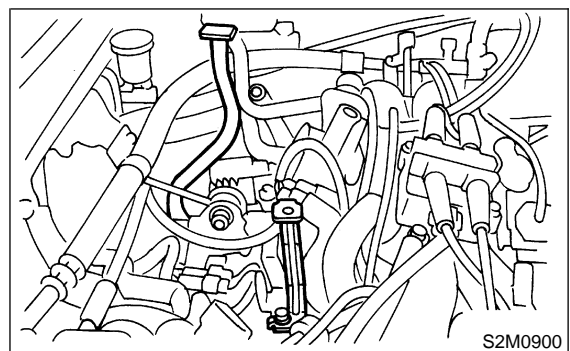
A: GENERAL PRECAUTION

- 1) Remove or install transmission in an area where chain hoists, lifting devices, etc. are available for ready use.
- 2) Be sure not to damage coated surfaces of body panels with tools or stain seats and windows with coolant or oil. Place a cover over fenders, as required, for protection.
- 3) Prior to starting work, prepare the following: Service tools, clean cloth, containers to catch coolant and oil, wire ropes, chain hoist, transmission jacks, etc.
- 4) Lift-up or lower the vehicle when necessary. Make sure to support the correct positions. <Ref. to 1-3 [G7B0].>

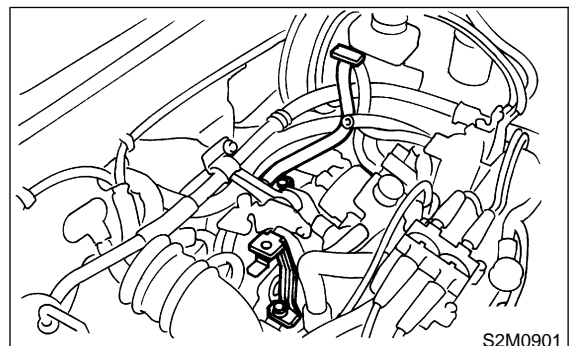
B: REMOVAL

- 1) Open front hood fully, and support with stay.
- 2) Disconnect battery ground terminal.
- 3) Remove air intake duct and chamber. (Except 2200 cc California spec. vehicles) <Ref. to 2-7 [W1A0].> and <Ref. to 2-7 [W18A0].>
- 4) Install air intake duct with air cleaner case. (2200 cc California spec. vehicles) <Ref. to 2-7 [W1A0].>
- 5) Remove chamber stay.

● MT vehicles



● AT vehicles



6) Disconnect the following connectors.