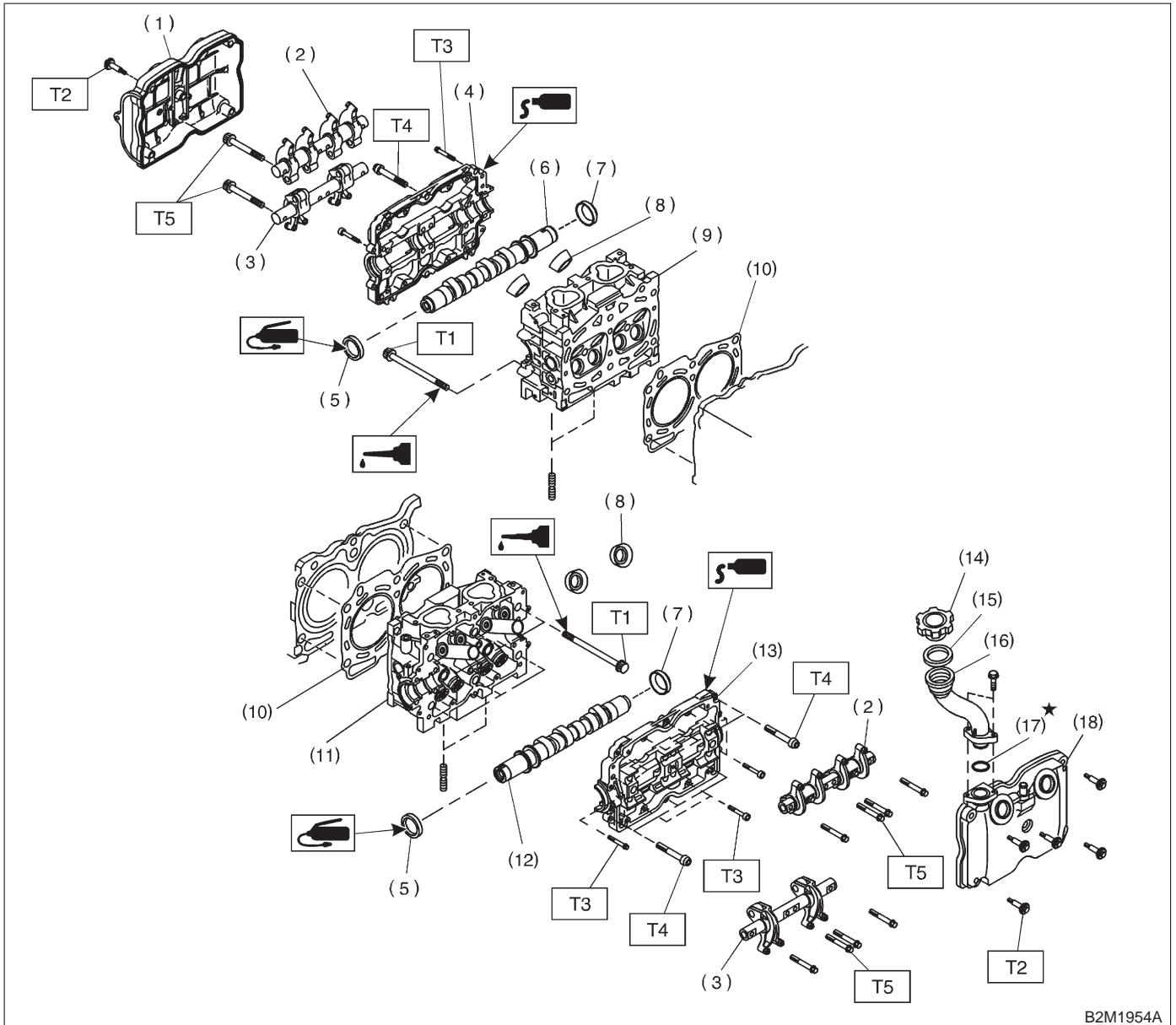


2. Cylinder Head and Camshaft



B2M1954A

- |                               |                           |
|-------------------------------|---------------------------|
| (1) Rocker cover (RH)         | (10) Cylinder head gasket |
| (2) Intake valve rocker ASSY  | (11) Cylinder head (LH)   |
| (3) Exhaust valve rocker ASSY | (12) Camshaft (LH)        |
| (4) Camshaft cap (RH)         | (13) Camshaft cap (LH)    |
| (5) Oil seal                  | (14) Oil filler cap       |
| (6) Camshaft (RH)             | (15) Gasket               |
| (7) Plug                      | (16) Oil filler pipe      |
| (8) Spark plug pipe gasket    | (17) O-ring               |
| (9) Cylinder head (RH)        | (18) Rocker cover (LH)    |

- (19) Stud bolt

**Tightening torque: N-m (kg-m, ft-lb)**

**T1: <Ref. to 2-3 [W5E1].>**

**T2: 5±1 (0.5±0.1, 3.6±0.7)**

**T3: 10±2 (1.0±0.2, 7.2±1.4)**

**T4: 18±2 (1.8±0.2, 13.0±1.4)**

**T5: 25±2 (2.5±0.2, 18.1±1.4)**