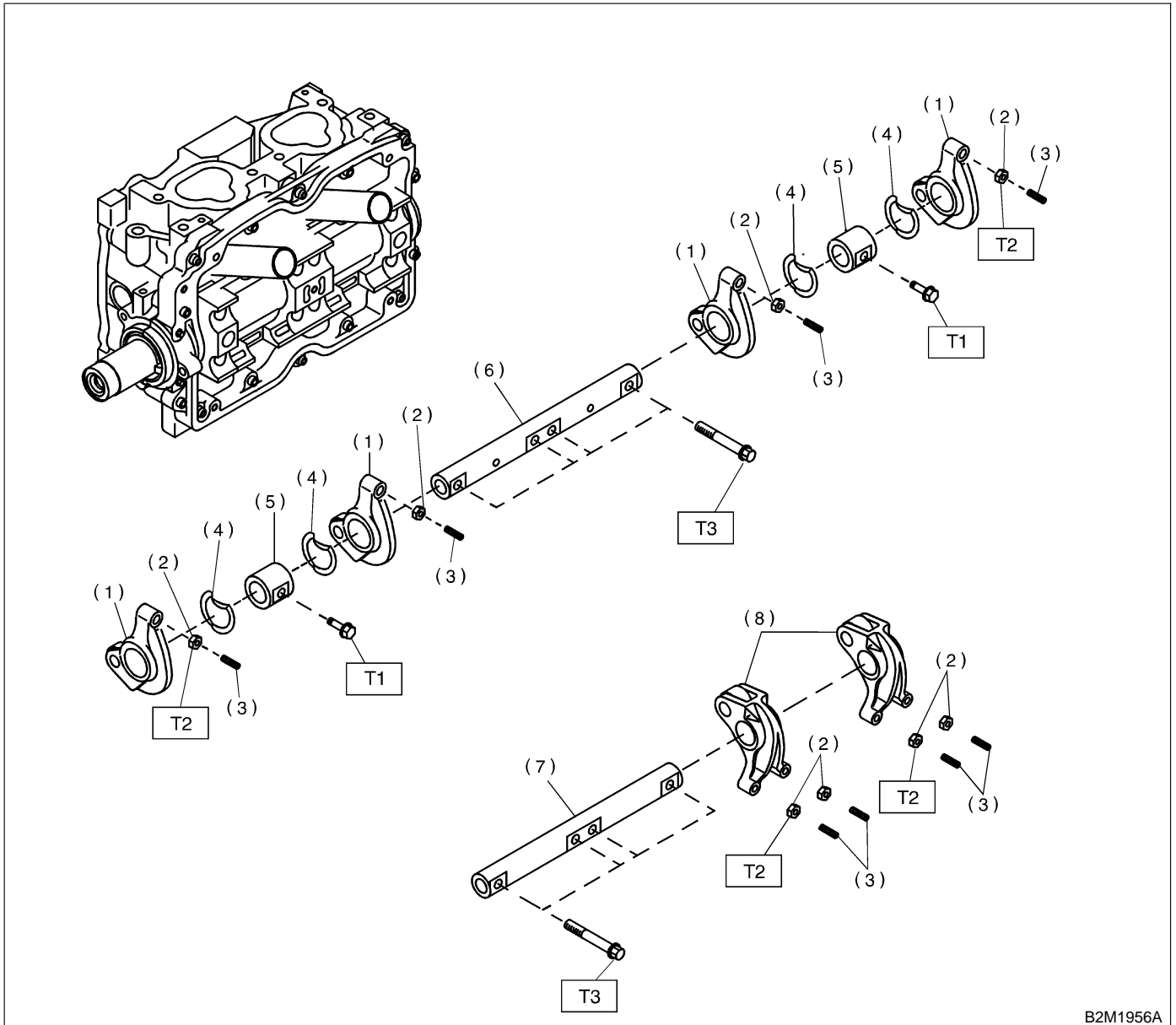


6. Valve Rocker Assembly



B2M1956A

- | | |
|-------------------------------|------------------------------|
| (1) Intake valve rocker arm | (6) Intake rocker shaft |
| (2) Valve rocker nut | (7) Exhaust rocker shaft |
| (3) Valve rocker adjust screw | (8) Exhaust valve rocker arm |
| (4) Spring | |
| (5) Rocker shaft support | |

Tightening torque: N-m (kg-m, ft-lb)

T1: 5±1 (0.5±0.1, 3.6±0.7)

T2: 10±1 (1.0±0.1, 7.2±0.7)

T3: 25±2 (2.5±0.2, 18.1±1.4)