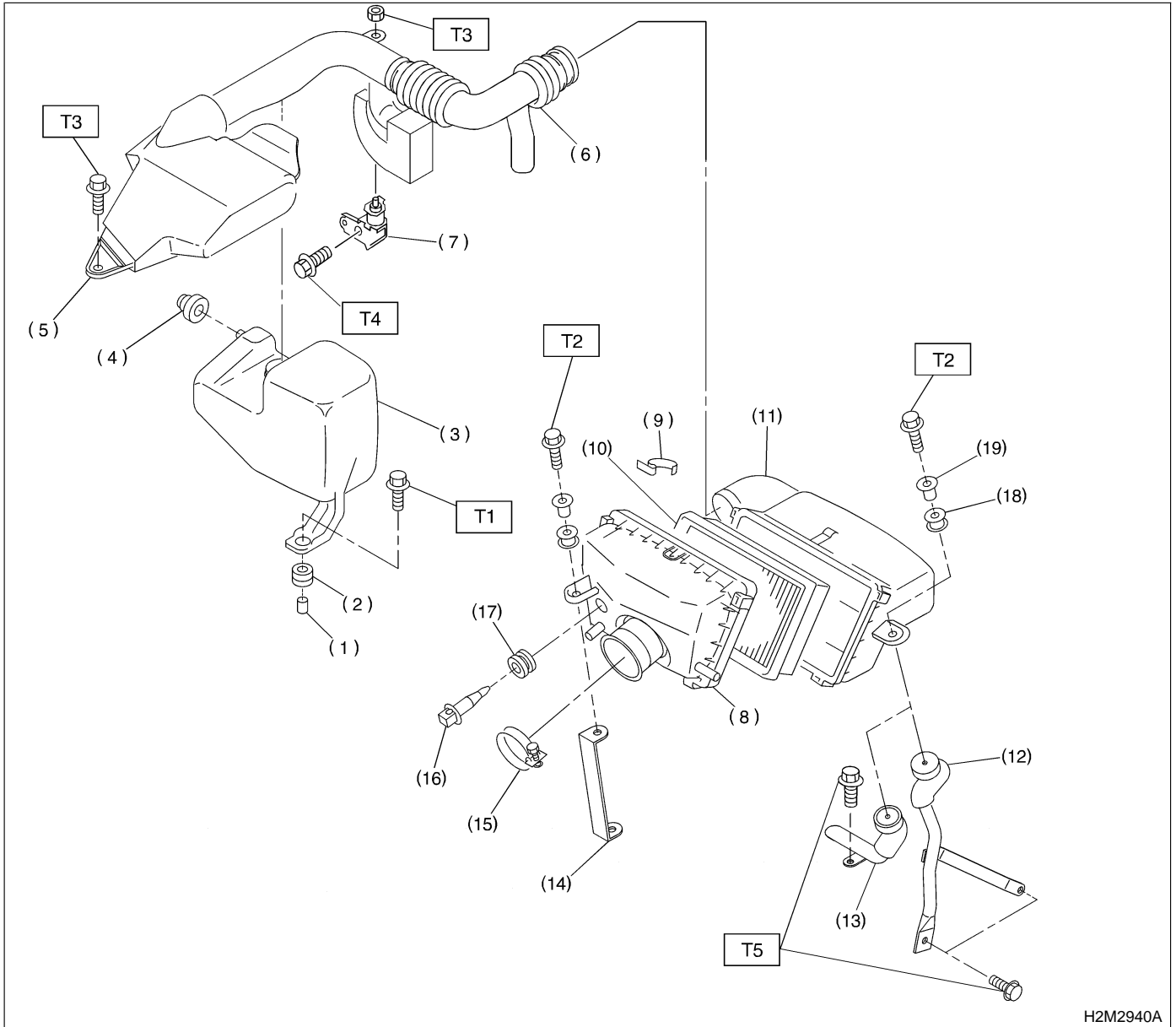


3. Air Cleaner

A: 2200 cc CALIFORNIA SPEC. VEHICLES



- (1) Spacer
- (2) Bush
- (3) Air chamber
- (4) Cushion rubber
- (5) Air intake duct A
- (6) Air intake duct B
- (7) Holder
- (8) Air cleaner case A
- (9) Clip
- (10) Air cleaner element

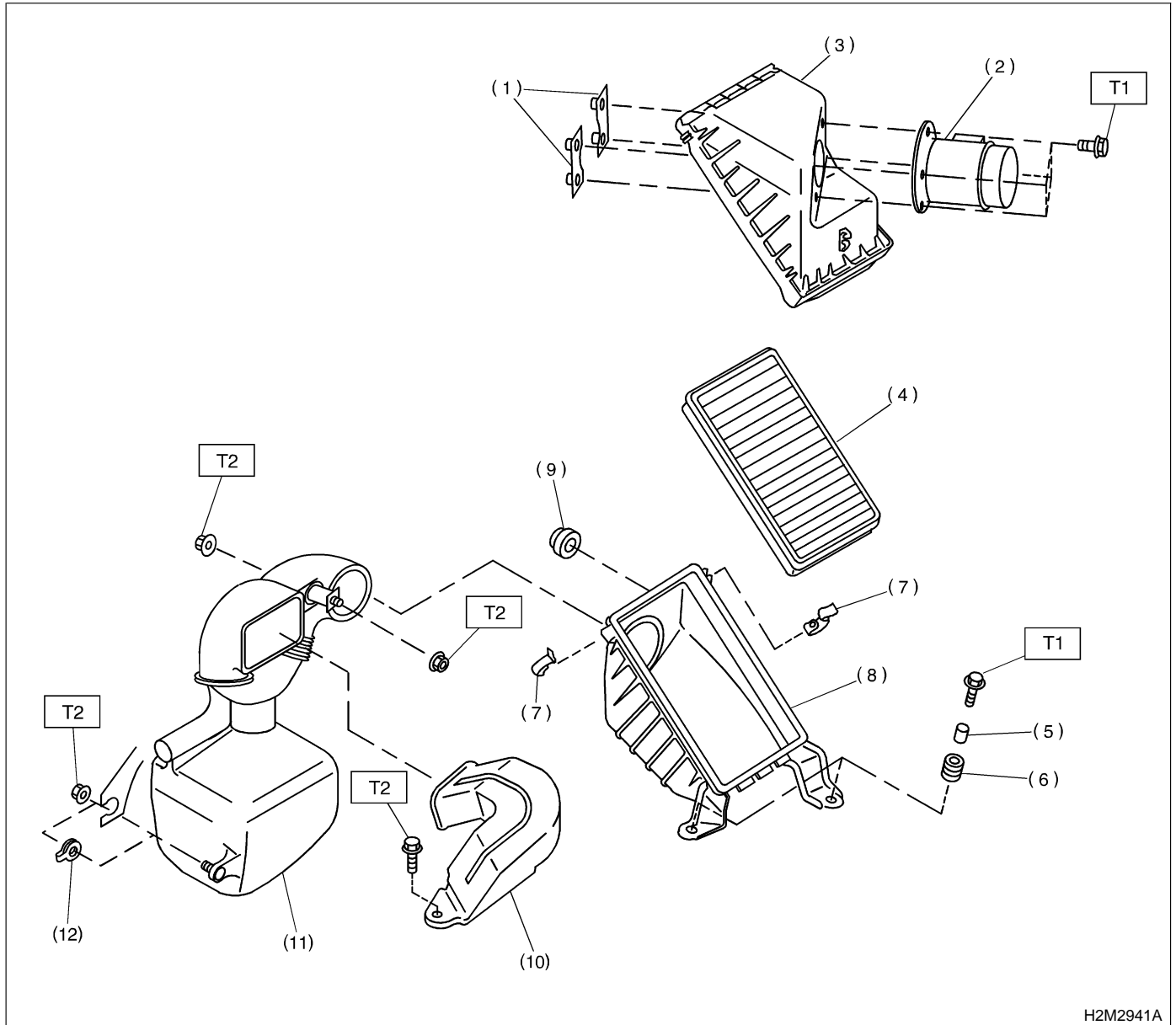
- (11) Air cleaner case B
- (12) Air cleaner case stay LH (MT vehicles)
- (13) Air cleaner case stay LH (AT vehicles)
- (14) Air cleaner case stay RH
- (15) Clamp
- (16) Intake air temperature sensor
- (17) Rubber holder
- (18) Bush

- (19) Spacer

Tightening torque: N-m (kg-m, ft-lb)

- T1: 7.4±2.0 (0.75±0.2, 5.4±1.4)**
- T2: 6.4±0.5 (0.65±0.05, 4.7±0.4)**
- T3: 7.4±2.0 (0.75±0.2, 5.4±1.4)**
- T4: 14±4 (1.4±0.4, 10.1±2.9)**
- T5: 16±5 (1.6±0.5, 11.6±3.6)**

B: EXCEPT 2200 cc CALIFORNIA SPEC. VEHICLES



H2M2941A

- | | |
|----------------------------------|-----------------------------|
| (1) Mass air flow sensor bracket | (7) Clip |
| (2) Mass air flow sensor ASSY | (8) Air cleaner case |
| (3) Air cleaner upper cover | (9) Cushion rubber |
| (4) Air cleaner element | (10) Air intake duct |
| (5) Spacer | (11) Resonator chamber ASSY |
| (6) Bush | (12) Clip |

Tightening torque: N·m (kg·m, ft·lb)

T1: 7.4±2.0 (0.75±0.2, 5.4±1.4)

T2: 33±10 (3.4±1.0, 25±7)