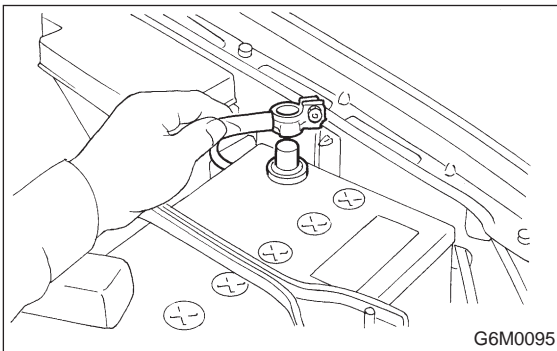


5. Engine Coolant Temperature Sensor

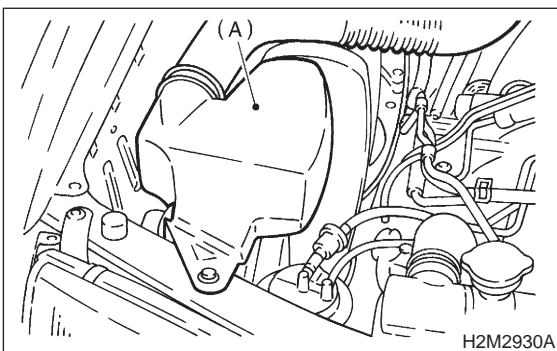
A: REMOVAL AND INSTALLATION

1. 2200 cc CALIFORNIA SPEC. VEHICLES

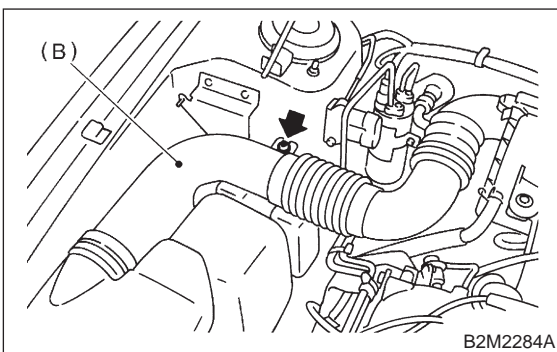
1) Disconnect battery ground cable.



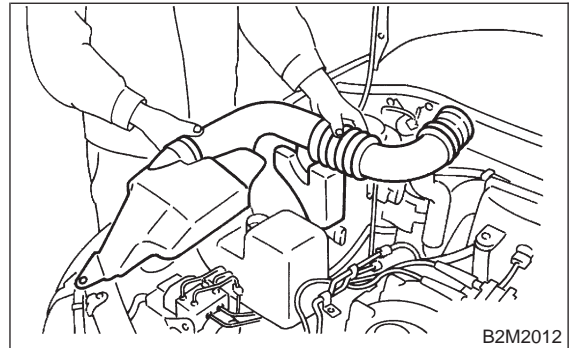
2) Remove bolt which installs air intake duct (A) on the front side of body.



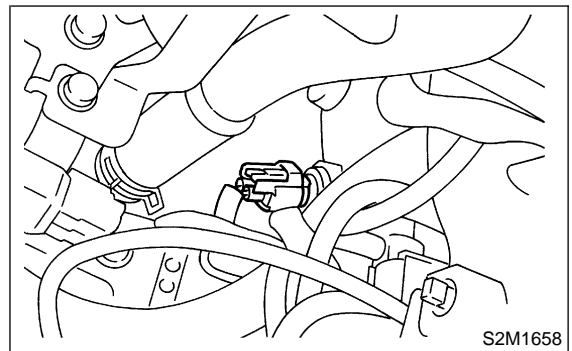
3) Remove bolt which installs air intake duct (B) on body.



4) Remove air intake duct (A) and (B) as a unit.



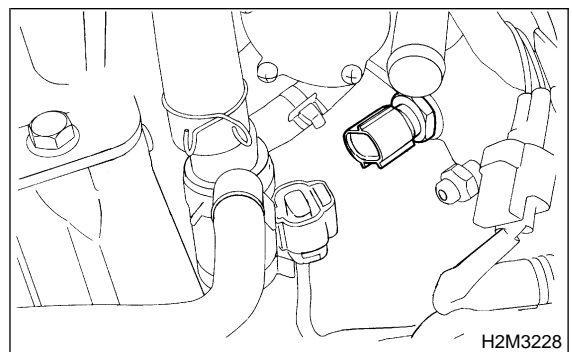
5) Disconnect connector from engine coolant temperature sensor.



6) Remove engine coolant temperature sensor.
7) Installation is in the reverse order of removal.

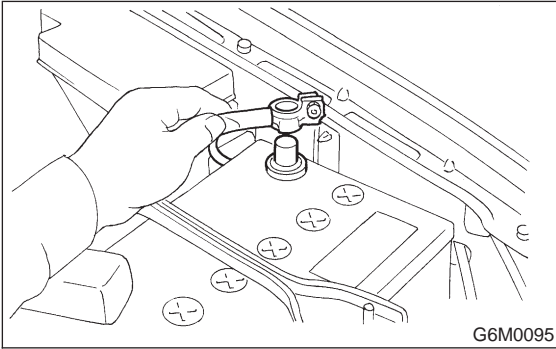
Tightening torque:

25±3 N·m (2.5±0.3 kg·m, 18.1±2.2 ft·lb)

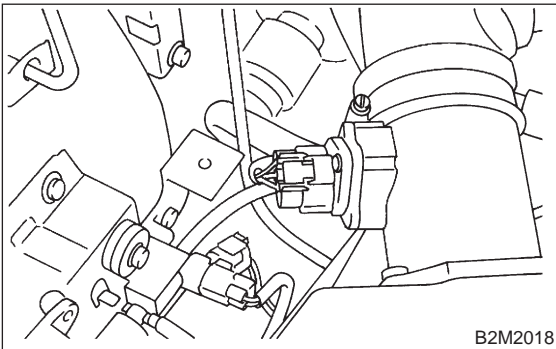


2. EXCEPT 2200 cc CALIFORNIA SPEC. VEHICLES

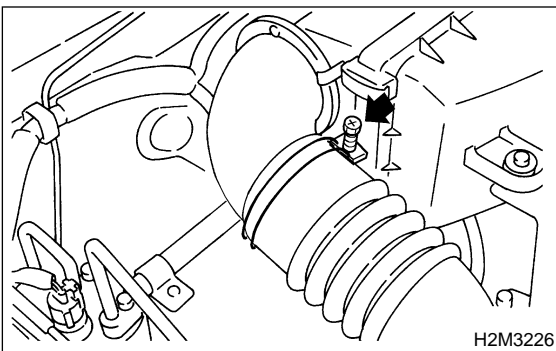
- 1) Disconnect battery ground cable.



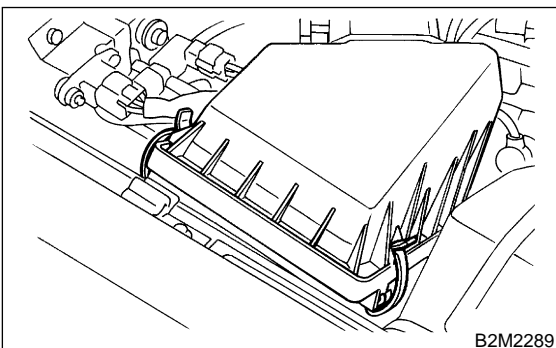
- 2) Disconnect connector from mass air flow sensor.



- 3) Loosen clamp which connects air intake duct to air intake chamber.

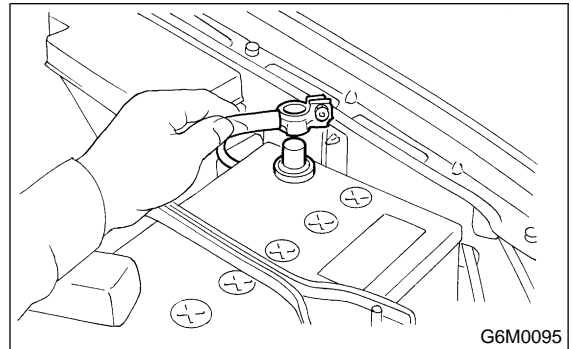


- 4) Remove two clips of air cleaner upper cover.

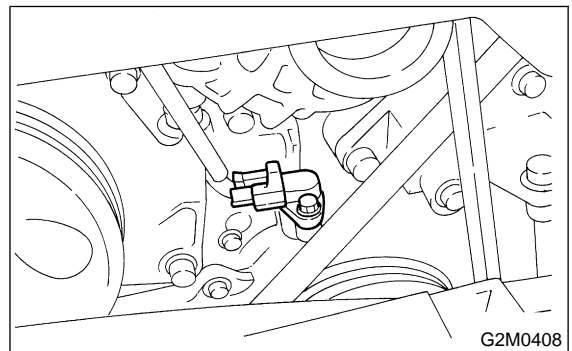


**6. Crankshaft Position Sensor
A: REMOVAL AND INSTALLATION**

- 1) Disconnect battery ground cable.



- 2) Remove bolt which install crankshaft position sensor to cylinder block.



- 3) Remove crankshaft position sensor, and disconnect connector from it.

