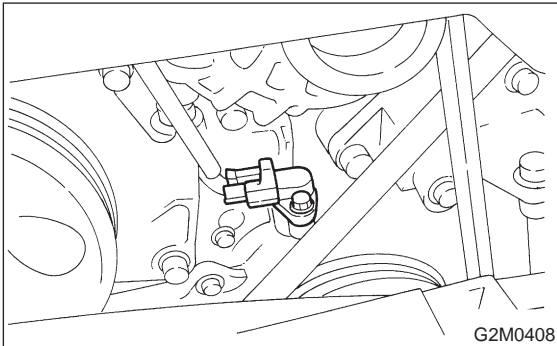


4) Installation is in the reverse order of removal.

Tightening torque:

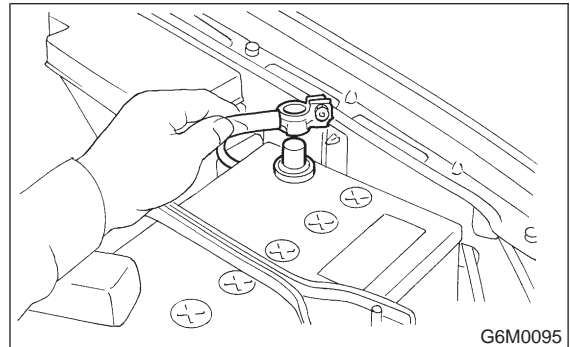
$6.4 \pm 0.5 \text{ N}\cdot\text{m}$ ($0.65 \pm 0.05 \text{ kg}\cdot\text{m}$, $4.7 \pm 0.4 \text{ ft}\cdot\text{lb}$)



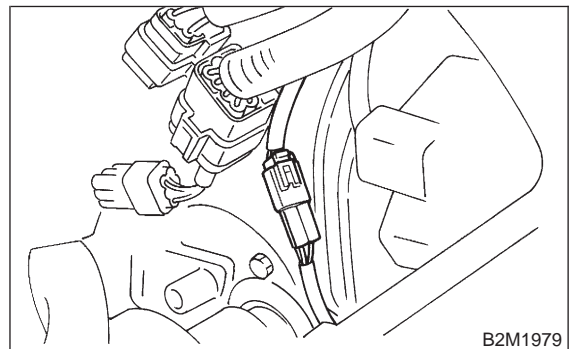
7. Front Oxygen (A/F) Sensor

A: REMOVAL

1) Disconnect battery ground cable.



2) Disconnect connector from front oxygen sensor.



3) Lift-up the vehicle.

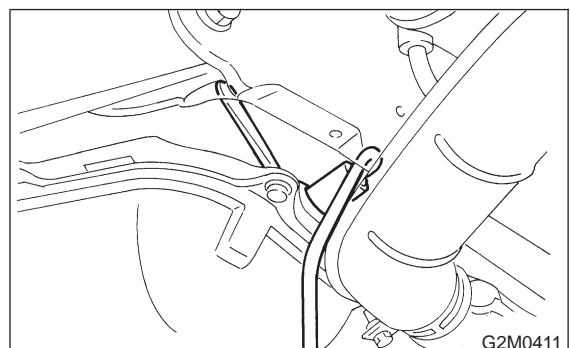
4) Apply SUBARU CRC or its equivalent to threaded portion of front oxygen (A/F) sensor, and leave it for one minute or more.

SUBARU CRC (Part No. 004301003)

5) Remove front oxygen (A/F) sensor.

CAUTION:

When removing, do not force front oxygen (A/F) sensor in an unnatural way especially when exhaust pipe is cold, otherwise it will damage exhaust pipe.

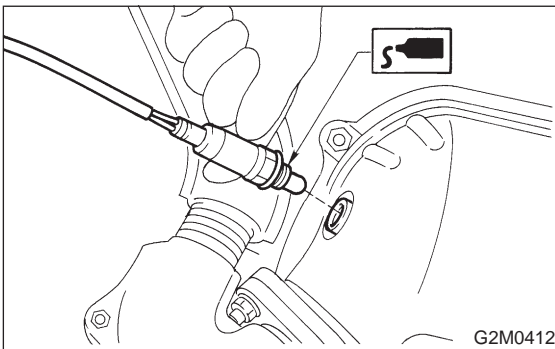


B: INSTALLATION

1) Before installing front oxygen (A/F) sensor, apply anti-seize compound only to threaded portion of front oxygen (A/F) sensor to make the next removal easier.

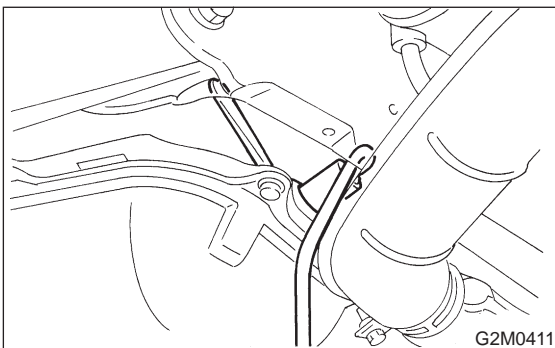
Anti-seize compound:
SS-30 by JET LUBE

CAUTION:
Never apply anti-seize compound to protector of front oxygen (A/F) sensor.

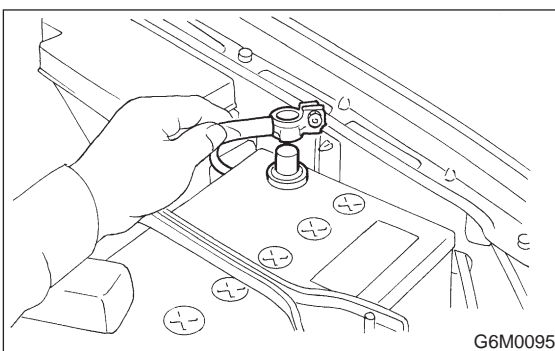


2) Install front oxygen (A/F) sensor.

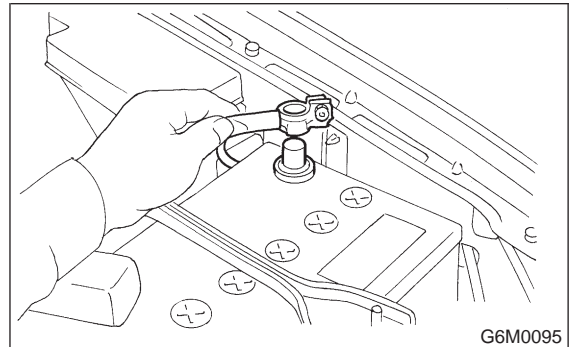
Tightening torque:
21±3 N·m (2.1±0.3 kg·m, 15.2±2.2 ft·lb)



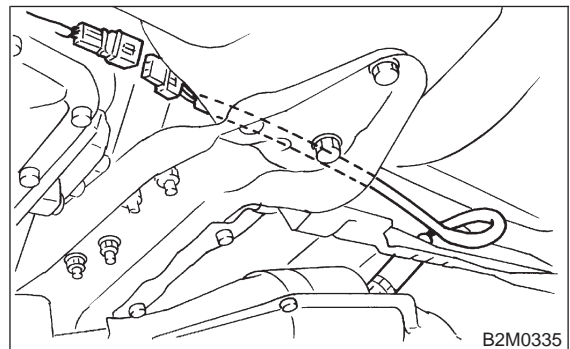
- 3) Lower the vehicle.
- 4) Connect connector to front oxygen (A/F) sensor.
- 5) Connect battery ground cable.

**8. Rear Oxygen Sensor****A: REMOVAL**

1) Disconnect battery ground cable.



- 2) Lift-up the vehicle.
- 3) Disconnect connector from rear oxygen sensor.



4) Apply SUBARU CRC or its equivalent to threaded portion of rear oxygen sensor, and leave it for one minute or more.

SUBARU CRC (Part No. 004301003)

5) Remove rear oxygen sensor.

CAUTION:

When removing, do not force rear oxygen sensor in an unnatural way especially when exhaust pipe is cold, otherwise it will damage exhaust pipe.

